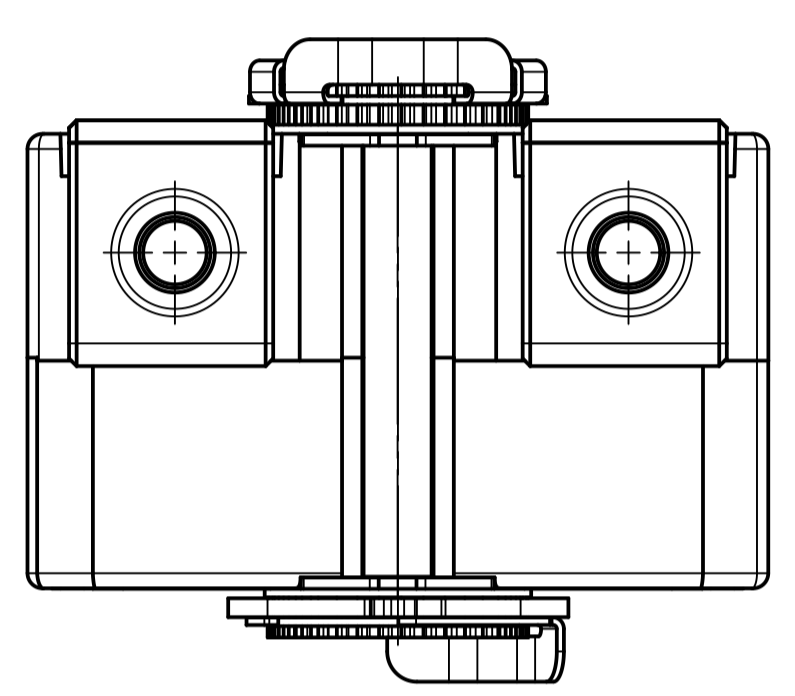


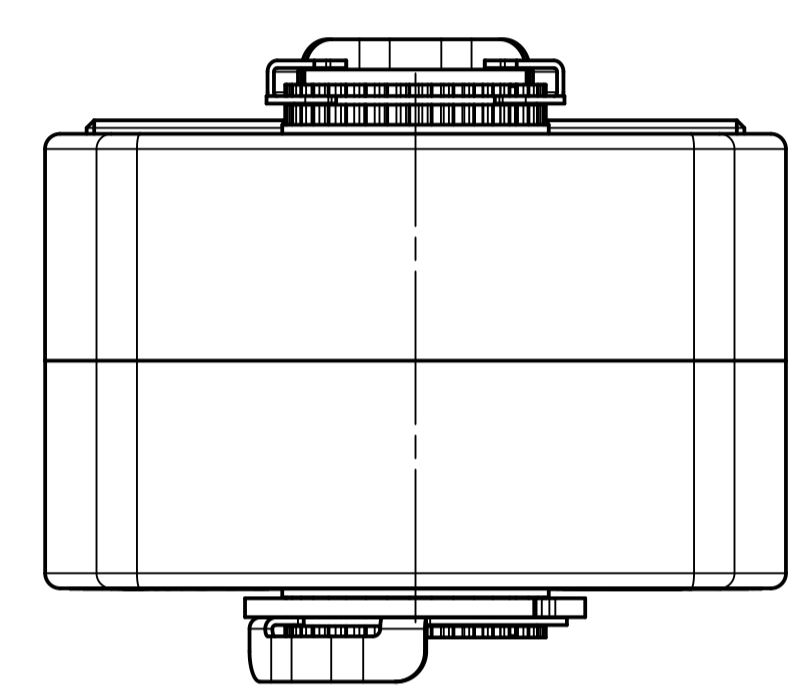
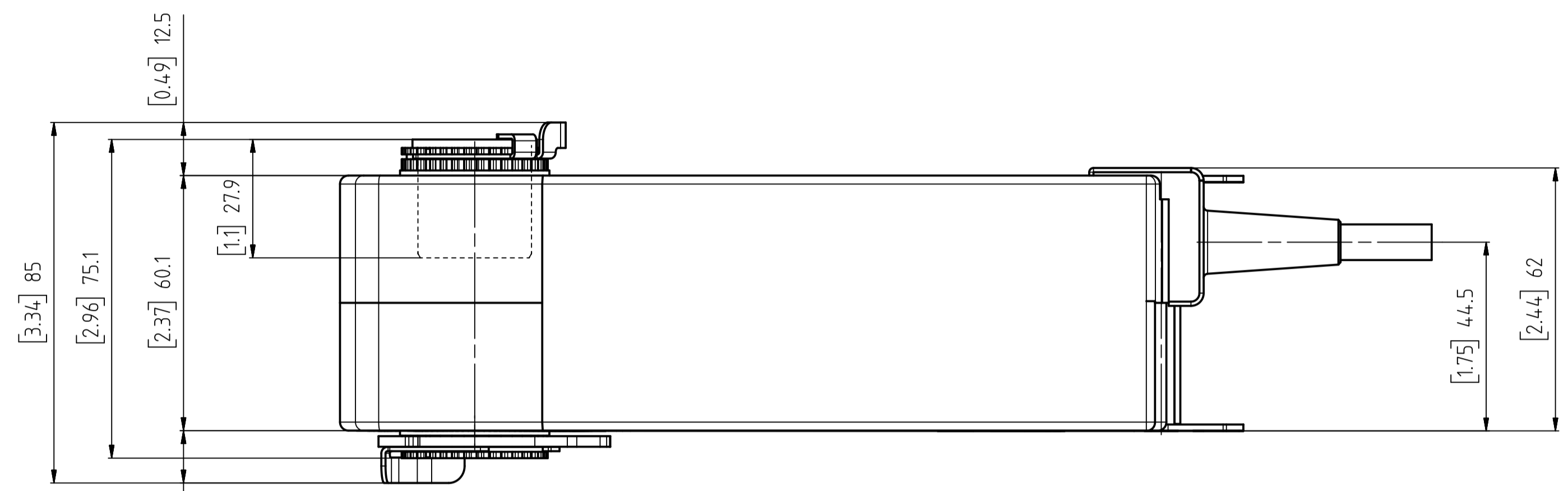
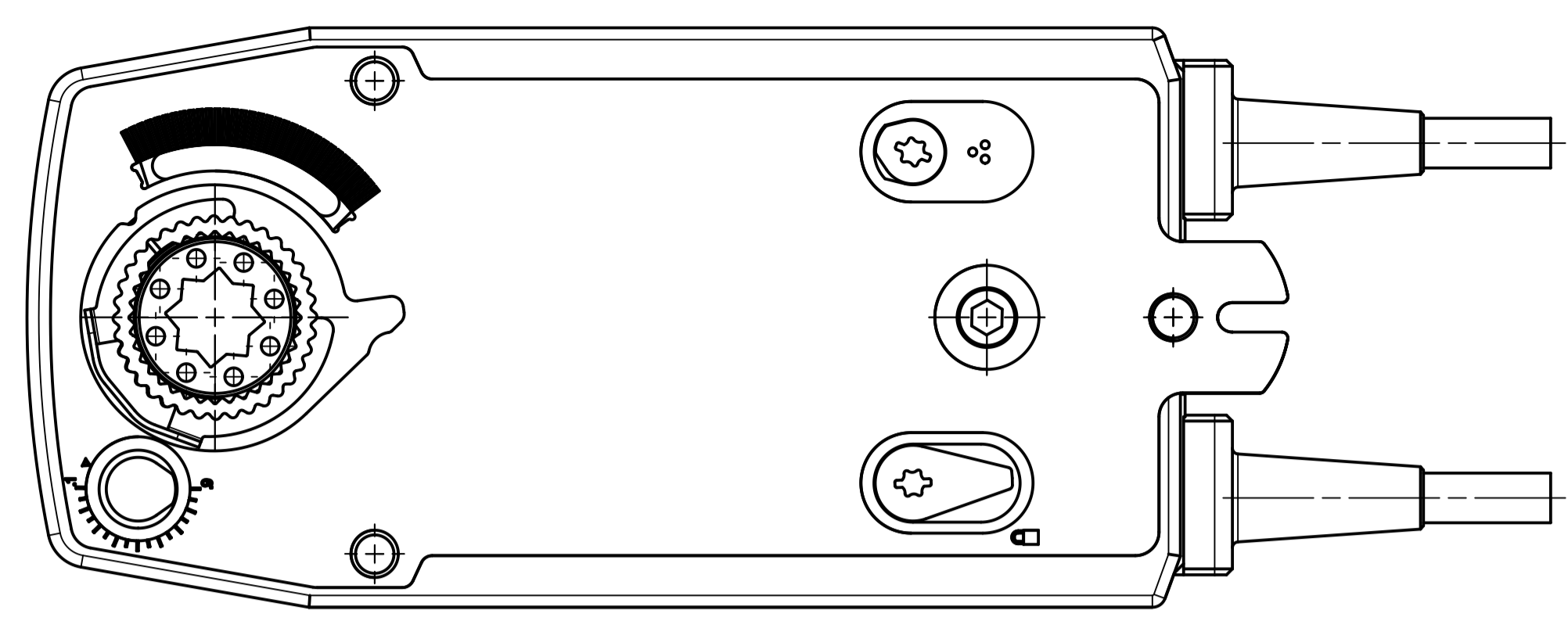
Notes: Dimensions are in millimeters (mm), 1 inch = 25.4 mm, first angle projection method.

General tolerances in accordance with ISO 2768-mK

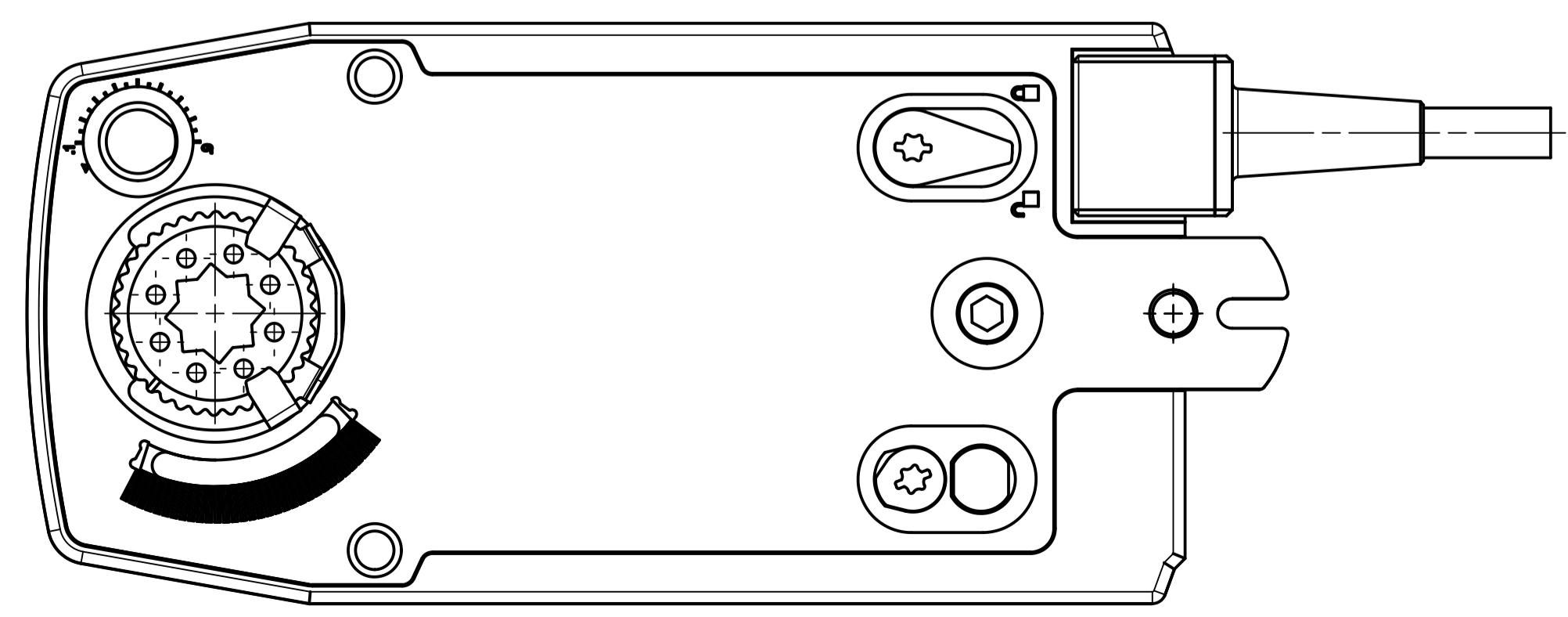
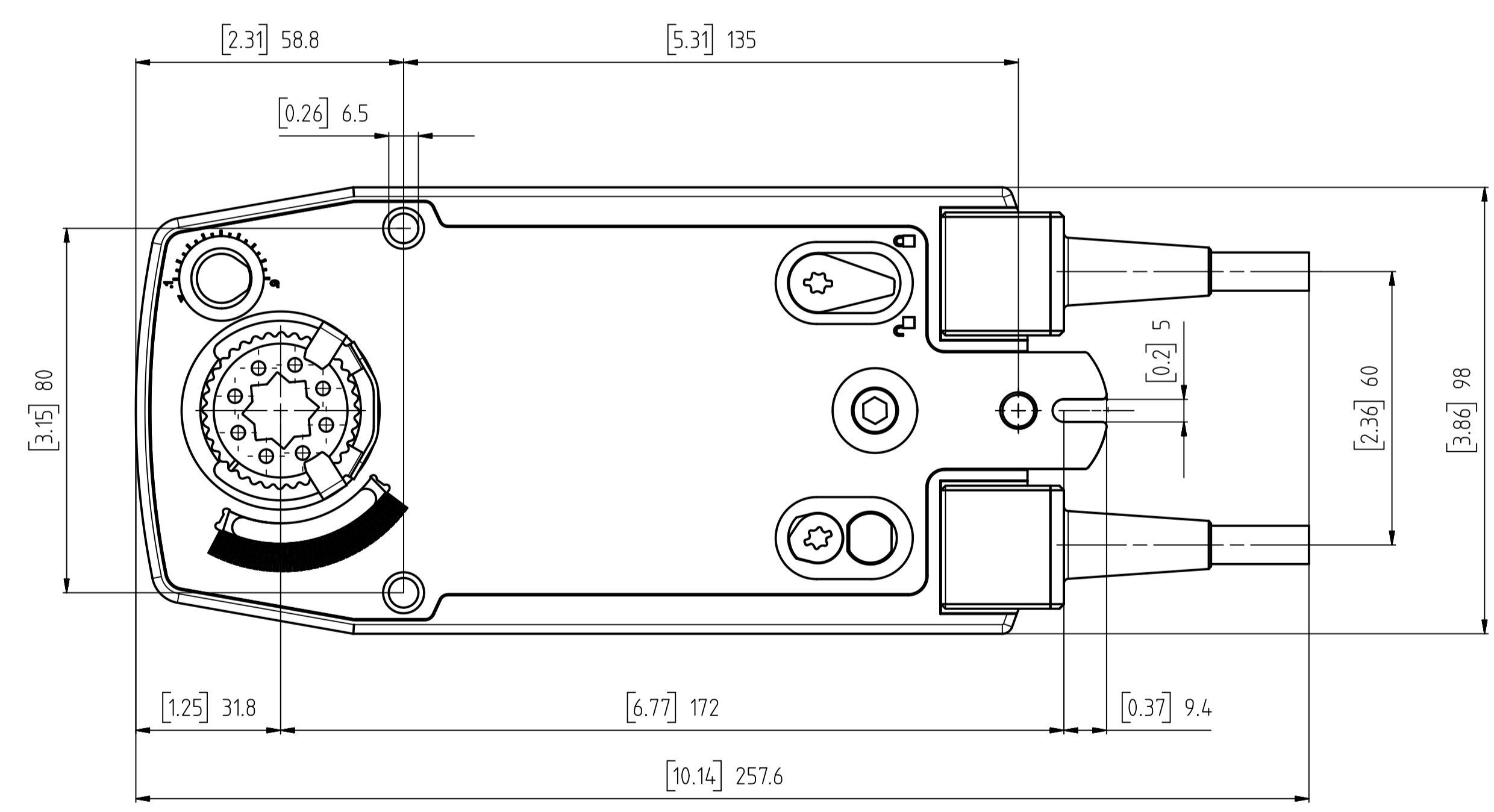
Legal Notice: Any distribution, copying or disclosure of this document is prohibited without the written permission of the manufacturer. All rights reserved.



[3.34] 85
 [2.96] 75.1
 [2.37] 60.1
 [0.49] 12.5
 [0.48] 12.3



SFA-S2 NFA-S2
 SF24A-S2 NF24A-S2
 SF230A-S2 NF230A-S2
 SF24A-SR-S2 NF24A-SR-S2
 SF24A-SZ-S2 NF24A-SZ-S2



SFA NFA
 SF24A NF24A
 SF230A NF230A
 SF24A-SR NF24A-SR
 SF24A-MP NF24A-MP
 SF24ALON NF24ALON
 SF24A-SZ NF24A-SZ

Formschlussversion □10, □12, □16 / Festmontage
 formfit-version / fix-mounting

Drawn	Date	Name	Document description
Appr.	21072010	GXe	SF-NF-F
Scale:	1:1		Federrücklaufantrieb spring return actuator 10 / 20 Nm
Voll cm³:			Document number
			not released for production
Material specification			Dev.no: ch0024594 Dev.rev: 002
No. of sheets:			1 Sheet no: 1