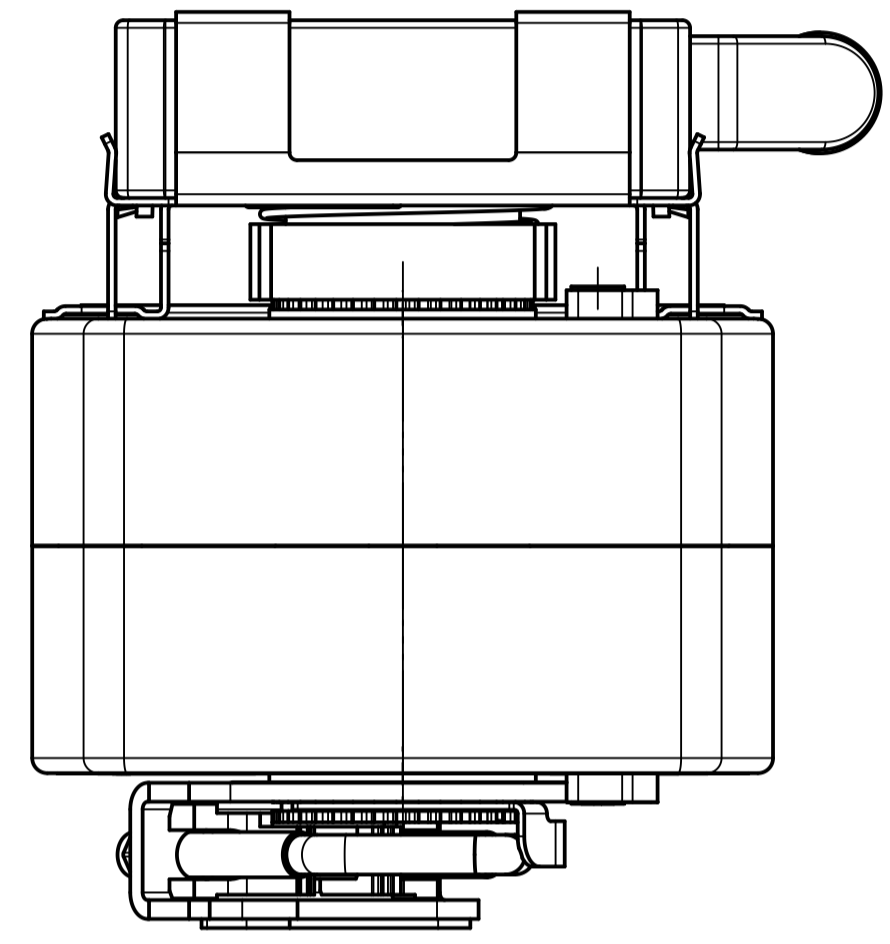
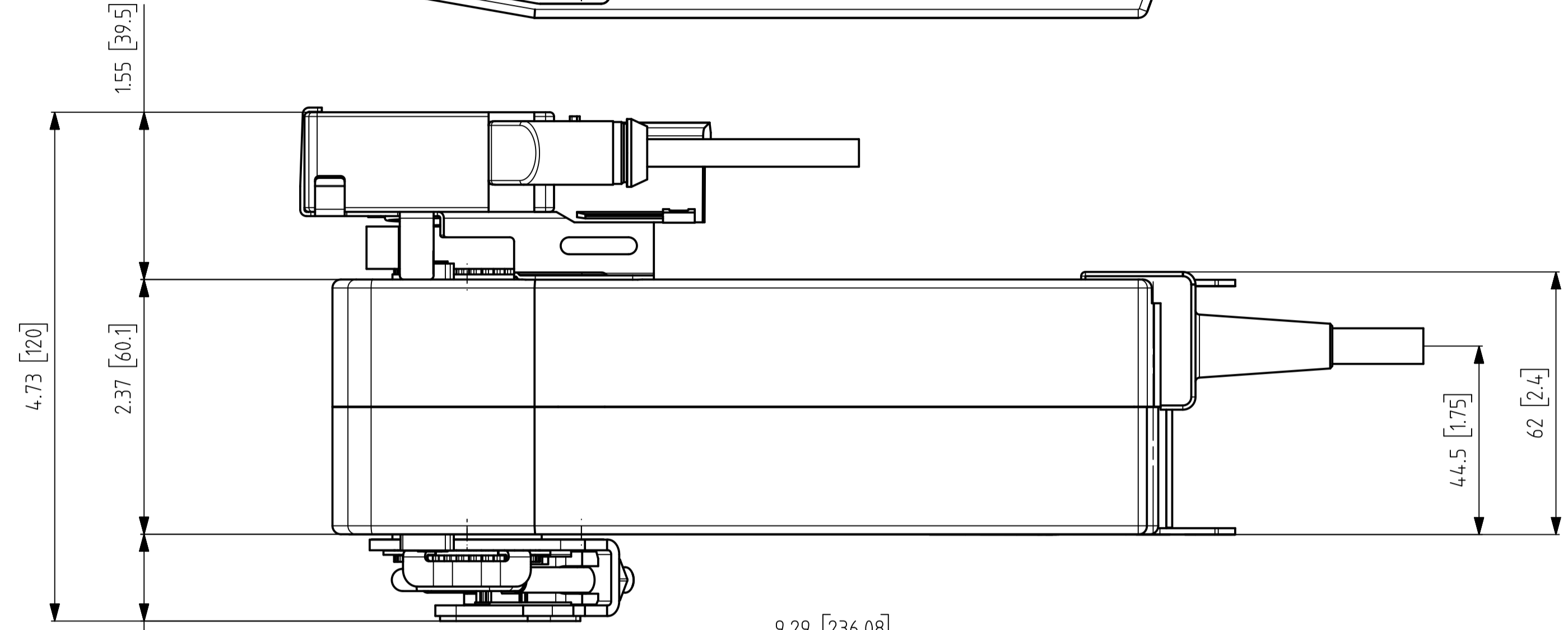
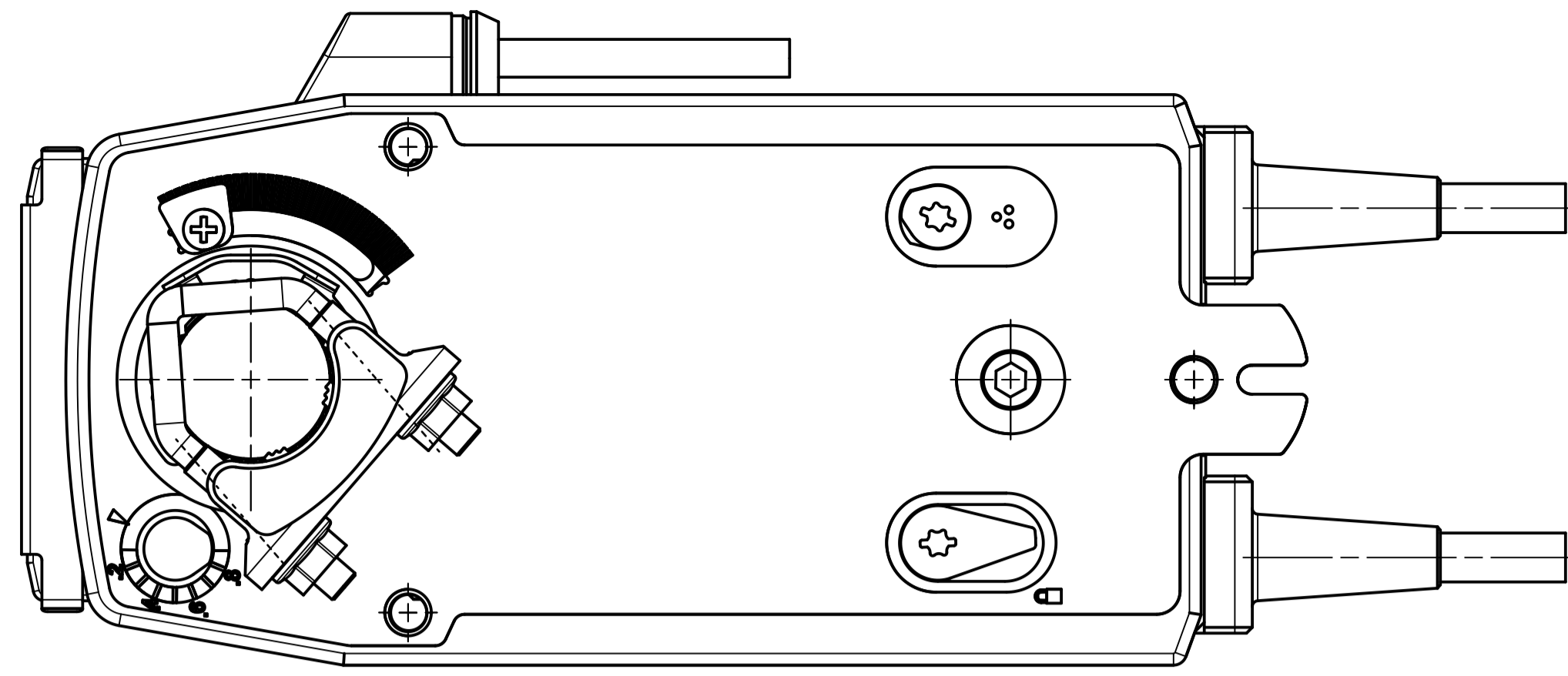
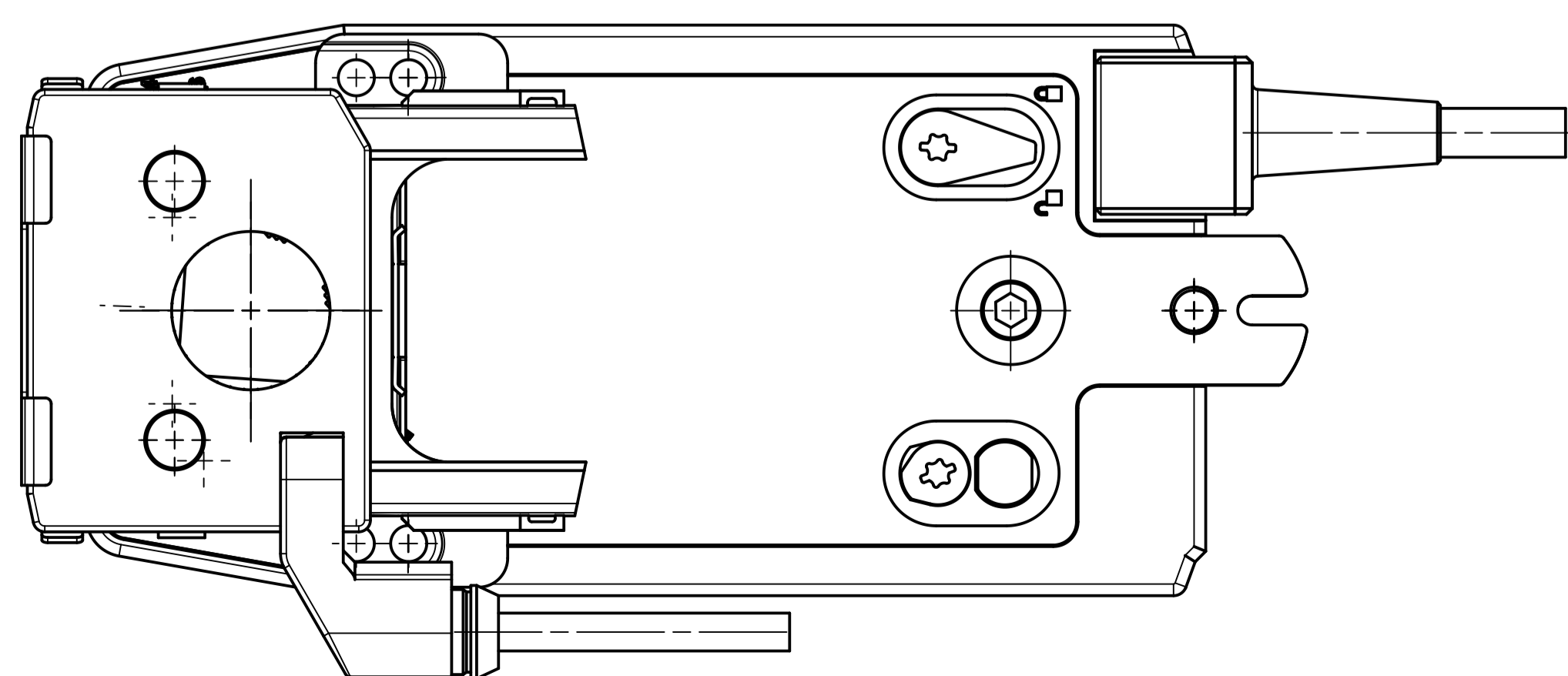
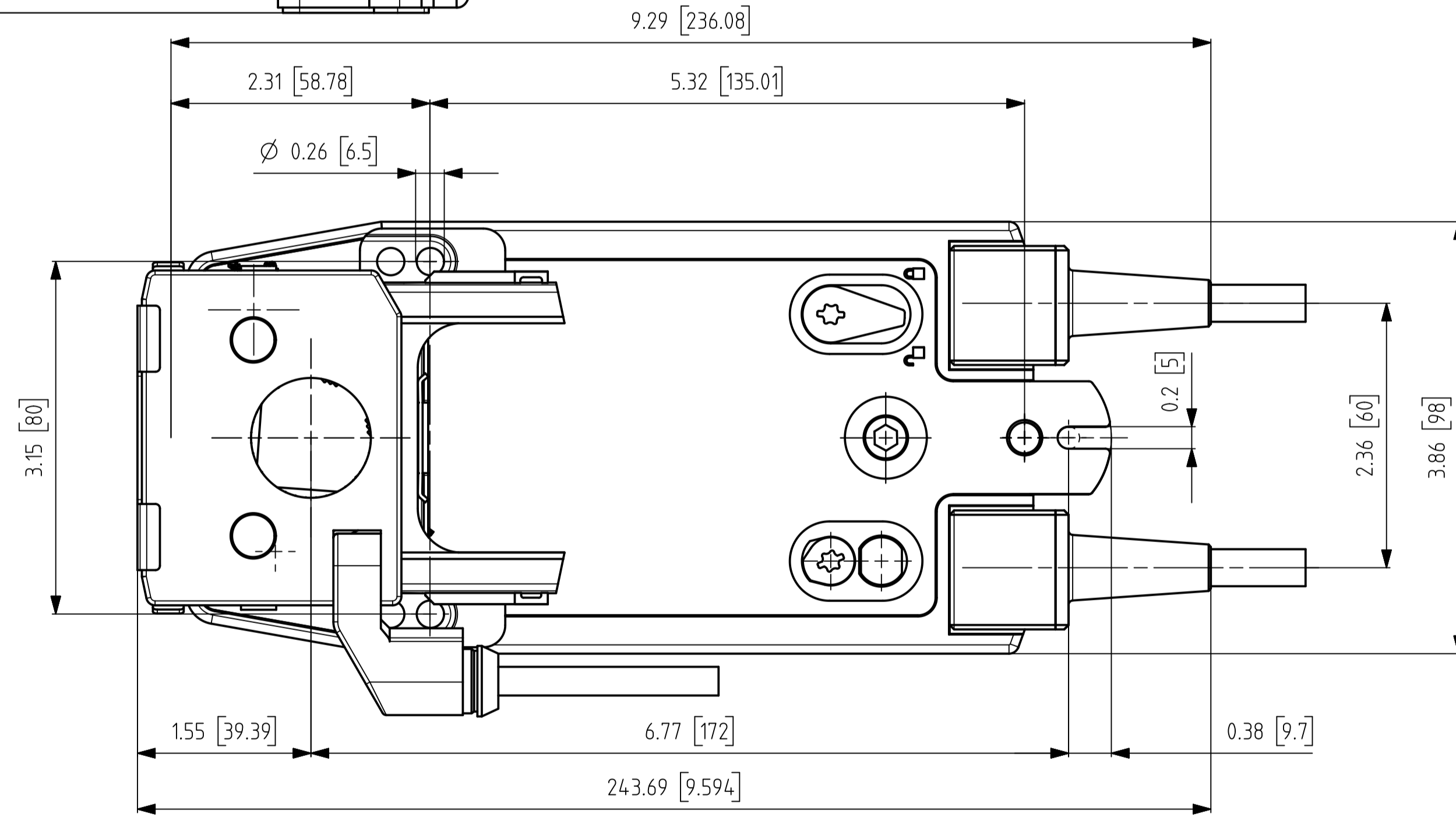


63.2 [2.49]



SFA-SZ NFA-SZ
 SF24A-S2 NF24A-S2
 SF230A-S2 NF230A-S2
 SF24A-SR-S2 NF24A-SR-S2
 SF24A-SZ-S2 NF24A-SZ-S2



SFA NFA
 SF24A NF24A
 SF230A NF230A
 SF24A-SR NF24A-SR
 SF24A-MP NF24A-MP
 SF24ALON NF24ALON
 SF24A-SZ NF24A-SZ

Universalklemmbock
 universal spindle clamp
 Hilfsschalter aufsteckbar
 auxiliary switch add-on

Drawn	Date	Name	Document description
Appr.	19.07.2010	GXe	SF-NF-KB-PxxxxxA
Scale:	1:1		Federrücklaufantrieb spring return actuator 10 / 20 Nm
Voll cm³:			Document number
			not released for production
Material specification		Dev.no:	Dev.rev:
		ch0037949	01
No. of sheets:	1	Sheet no:	1

Notes: Dimensions are in millimeters (mm), 1 inch = 25.4 mm, first angle projection method.
 General tolerances in accordance with ISO 2768-mK.
 Legal Notice: Any distribution, copying or disclosure of this document is prohibited without the written permission of the design registration office.