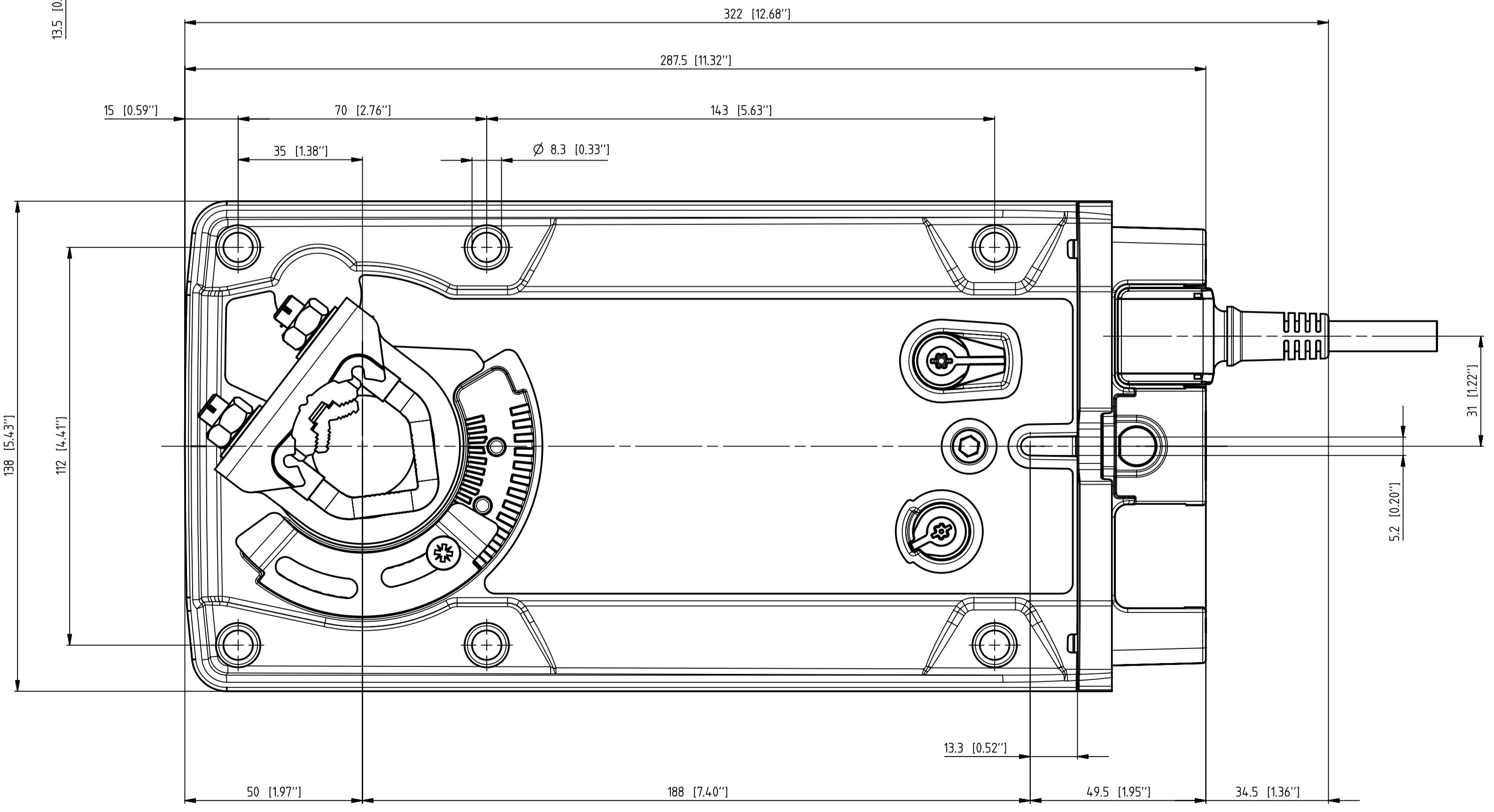
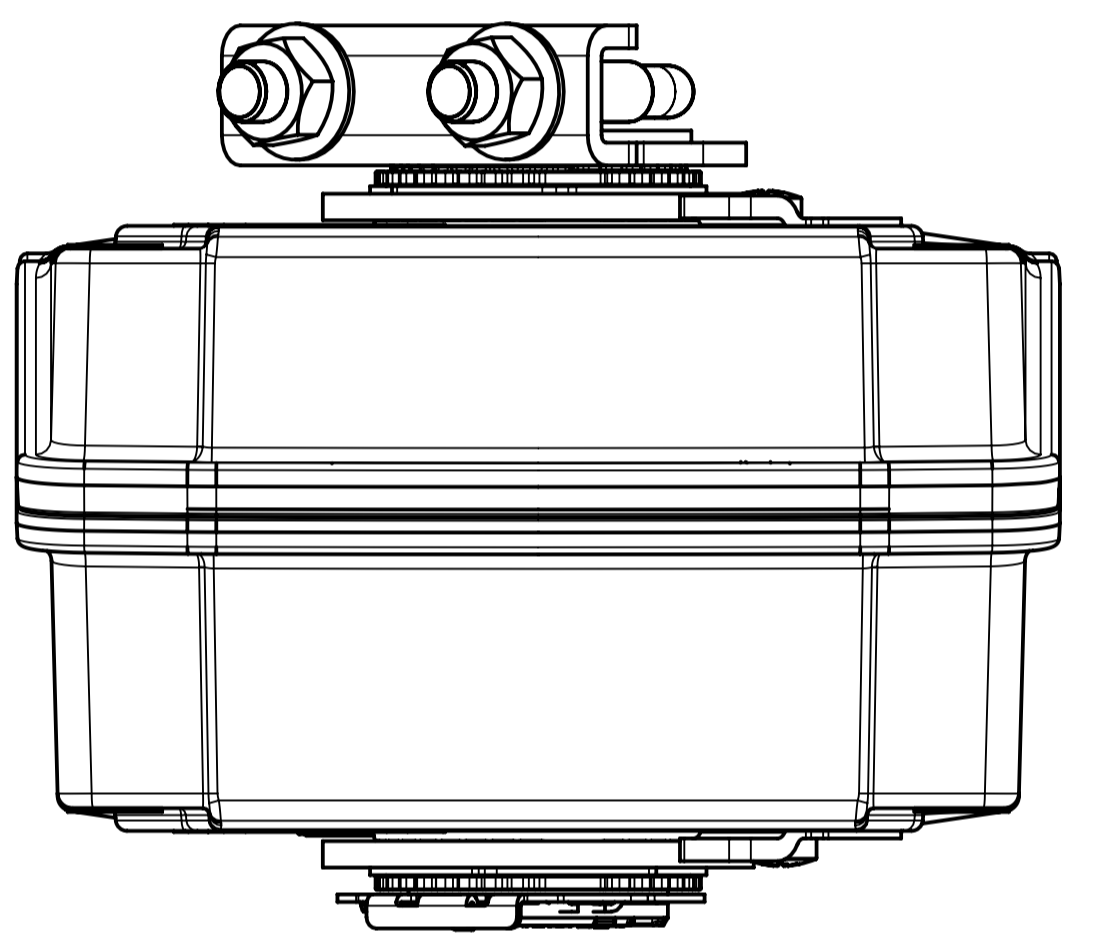
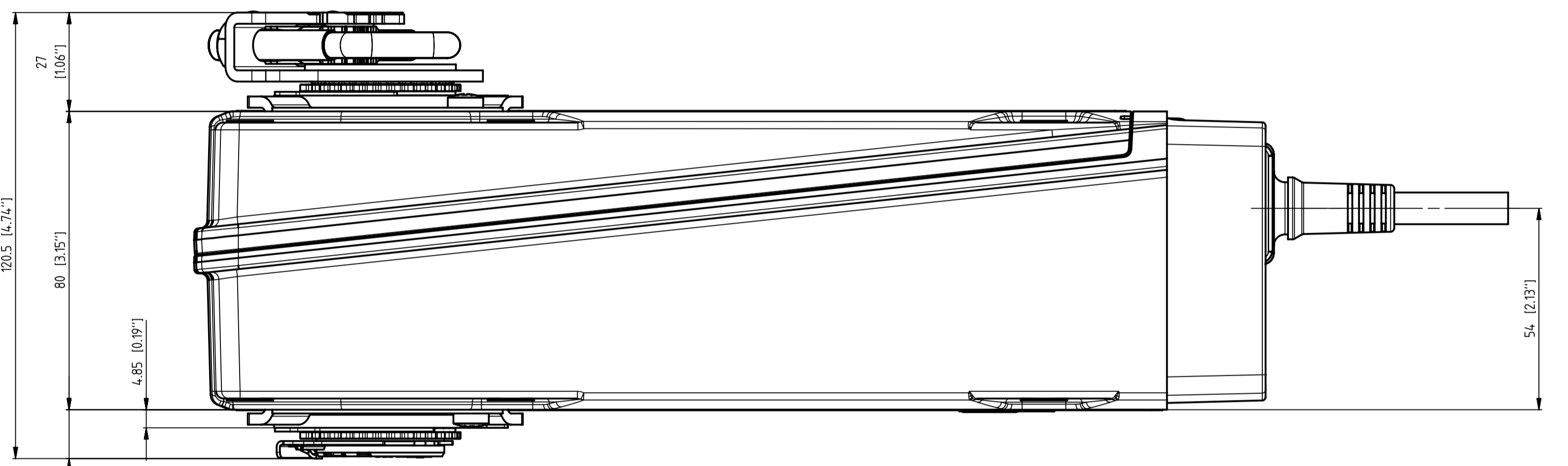
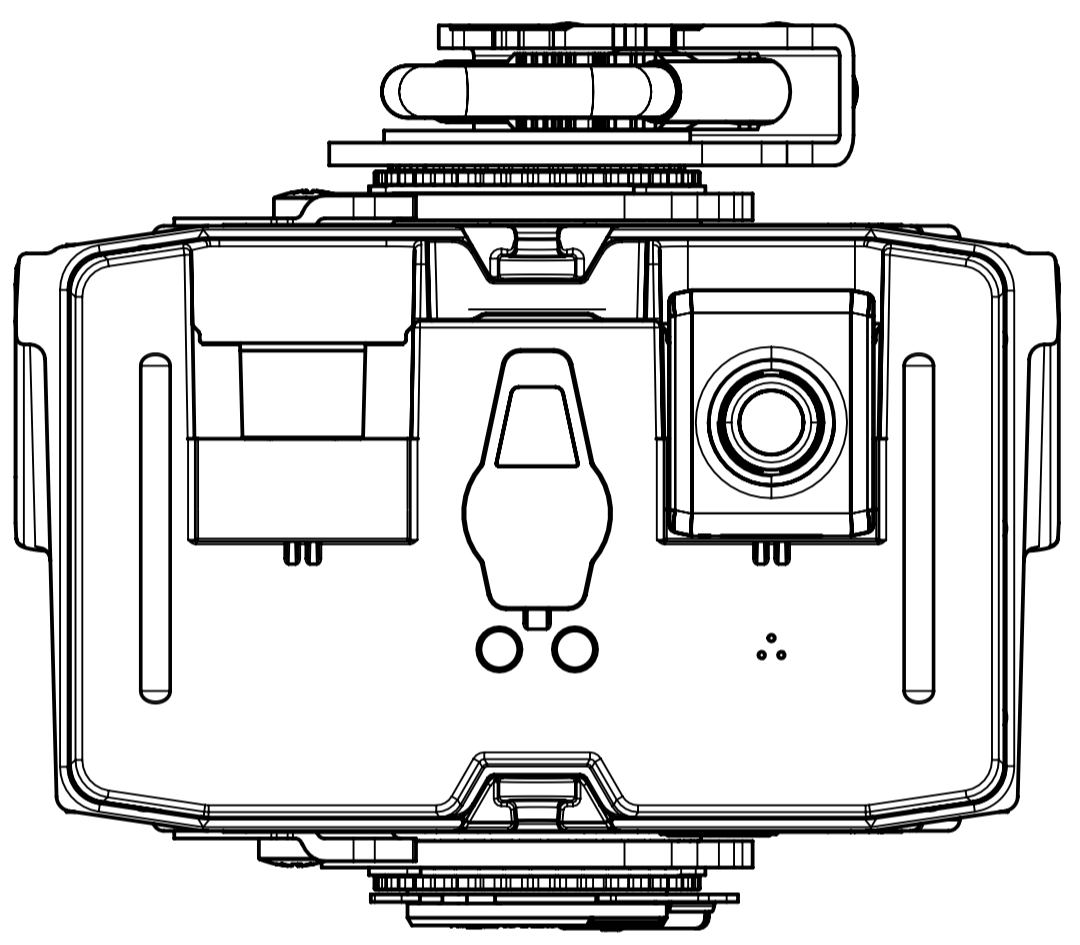


Legal Notice: Any distribution, copying or disclosure of this document is prohibited without the written permission of the design registration office.

General tolerances in accordance with ISO 2768-mK

Notes: Dimensions are in millimeters (mm), 1 inch = 25.4 mm, first angle projection method.



Drawn	Date	Name	Document description
Appr.	03.05.2011	ABE	EF...A-MF
Scale:	1:1		Federrücklaufantrieb spring return actuator 30Nm
Voll cm³:			Document number
			not released for production
Material specification			Dev.no: ch0038451 Dev.rev: 02
			No. of sheets: 1 Sheet no: 1

Inspection agreement with supplier  
 See inspection agreement  
 No inspection agreement necessary

