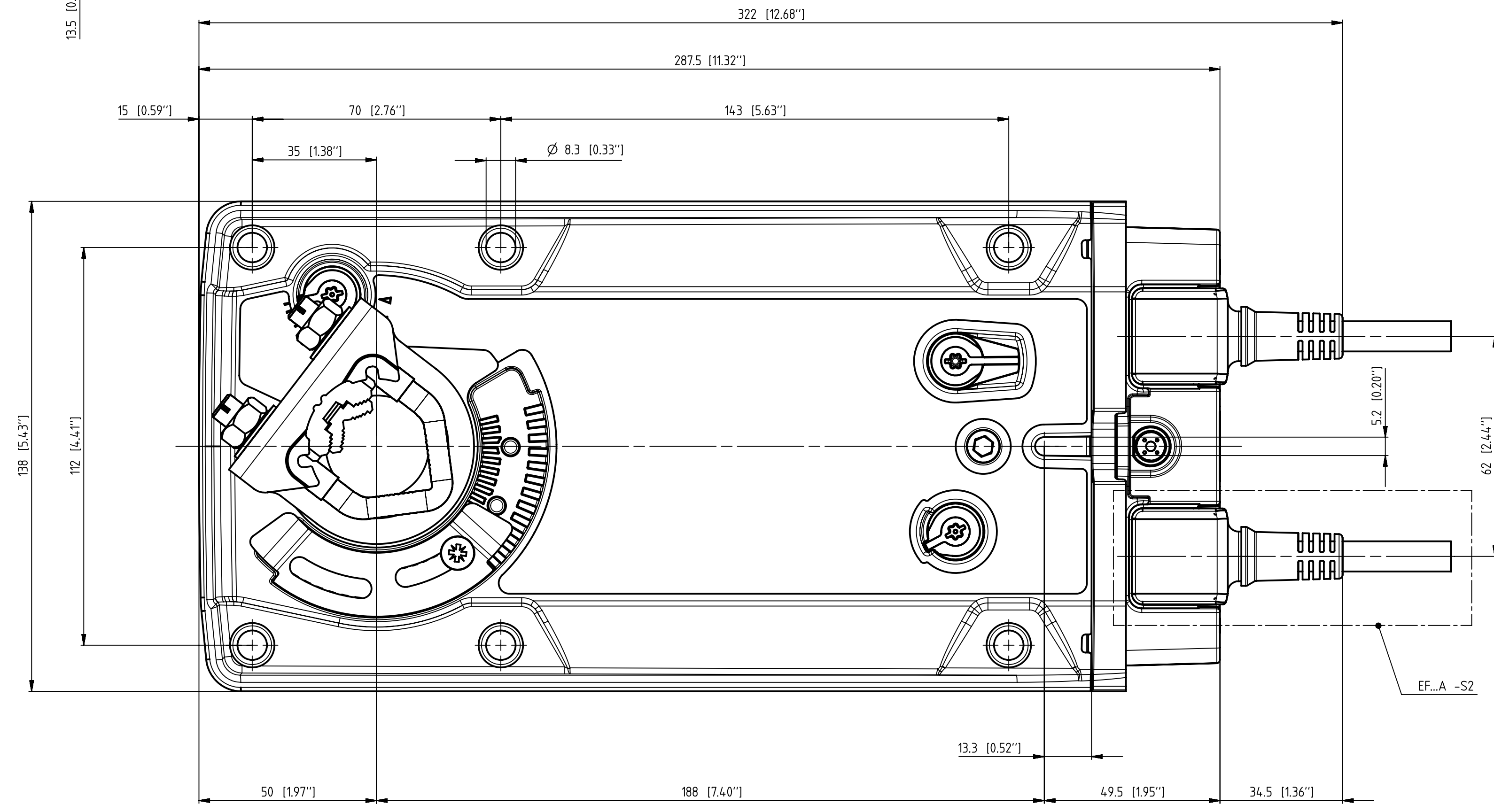
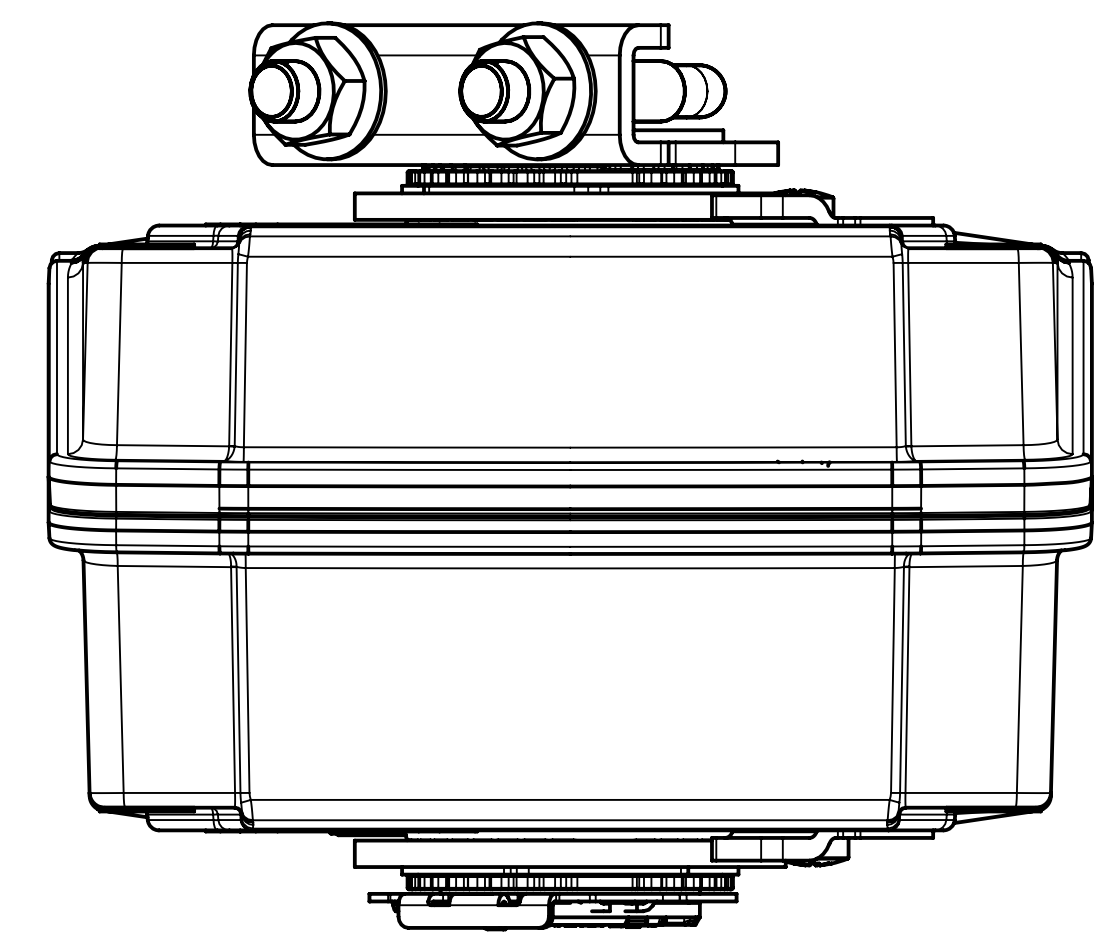
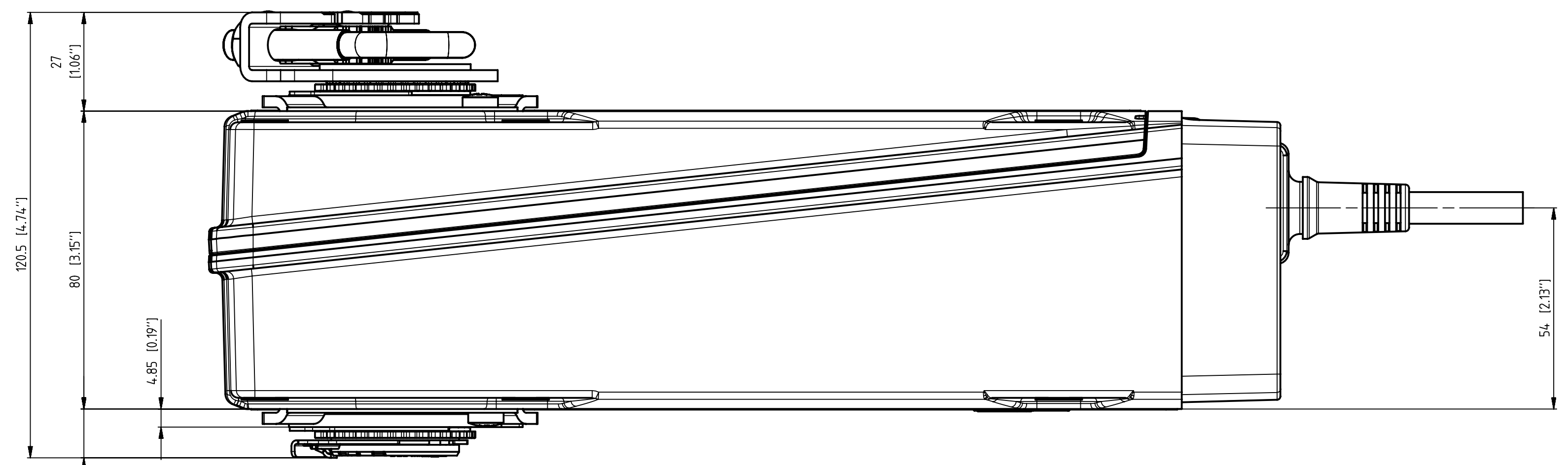
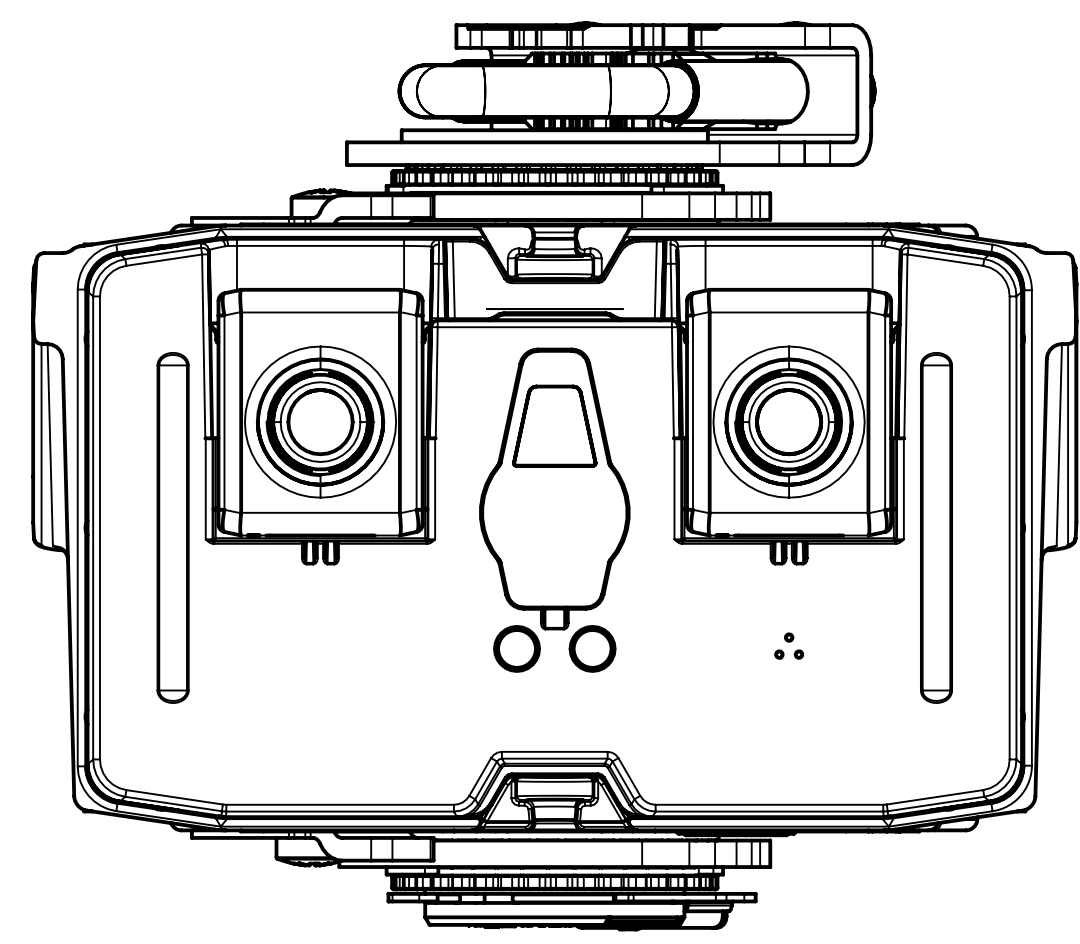


Notes: Dimensions are in millimeters (mm), 1 inch = 25.4 mm, first angle projection method.

General tolerances in accordance with ISO 2768-mK

Legal Notice: Any distribution, copying or disclosure, expressly authorized by the manufacturer, is prohibited. All rights reserved. No part of this document may be reproduced without the prior written permission of the manufacturer.



Inspection agreement with supplier
 See inspection agreement
 No inspection agreement necessary

Drawn	Date	Name	Document description
Appr.	03.05.2011	ABE	EF...A
Scale:	1:1		
Voll cm ³ :			
			Document number
			not released for production
Material specification			Dev.no: ch0038451 Dev.rev: 02
			No. of sheets: 1 Sheet no: 1

Federrücklaufantrieb
spring return actuator
30Nm