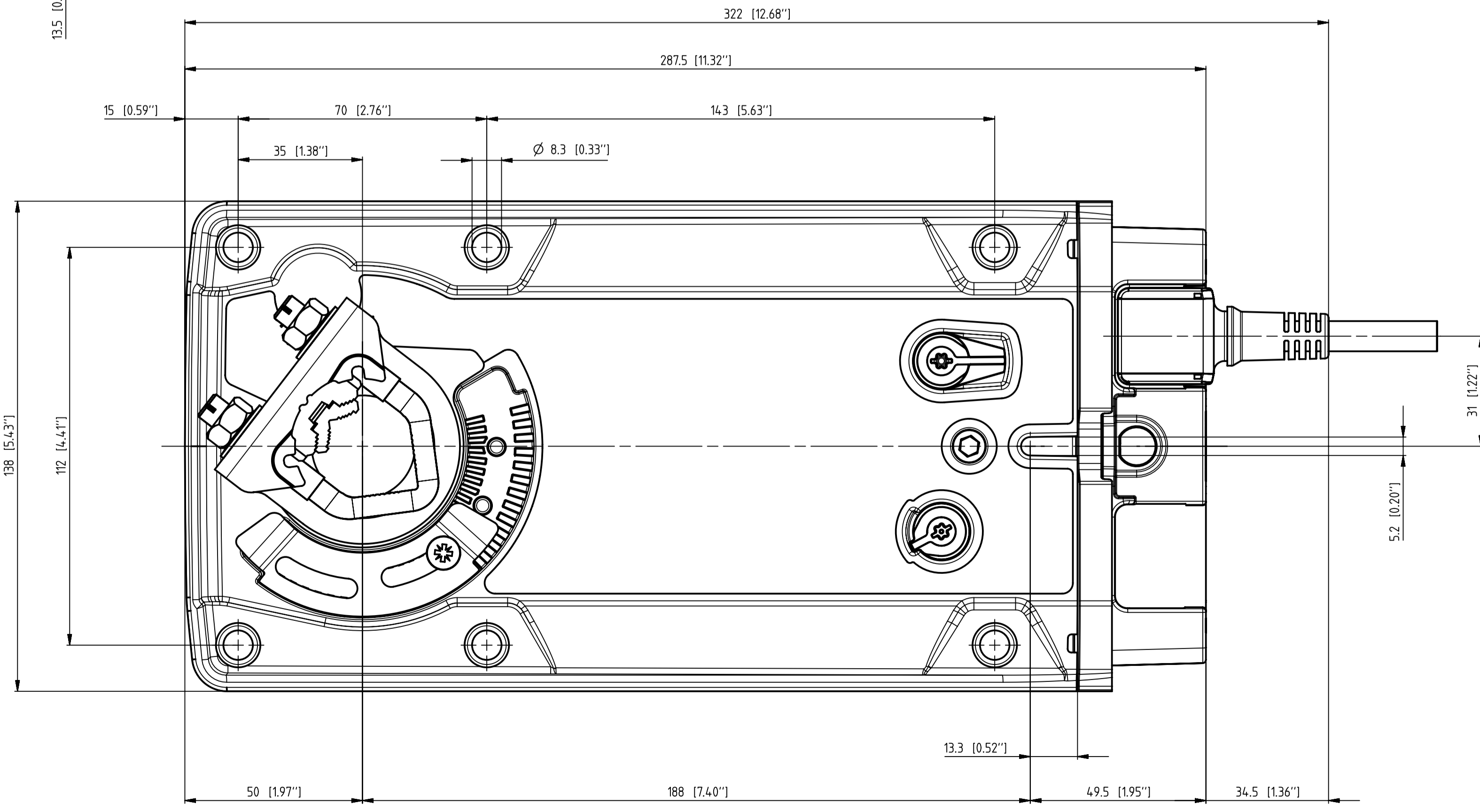
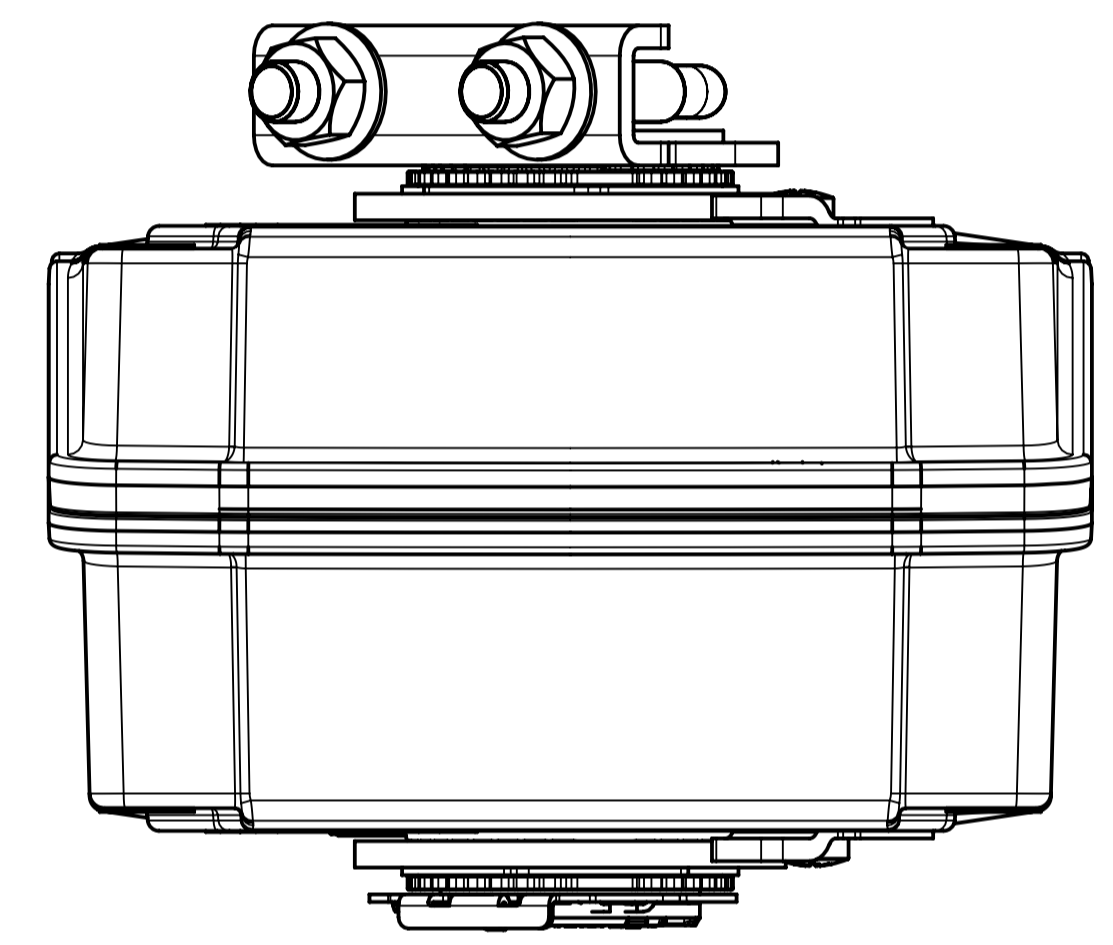
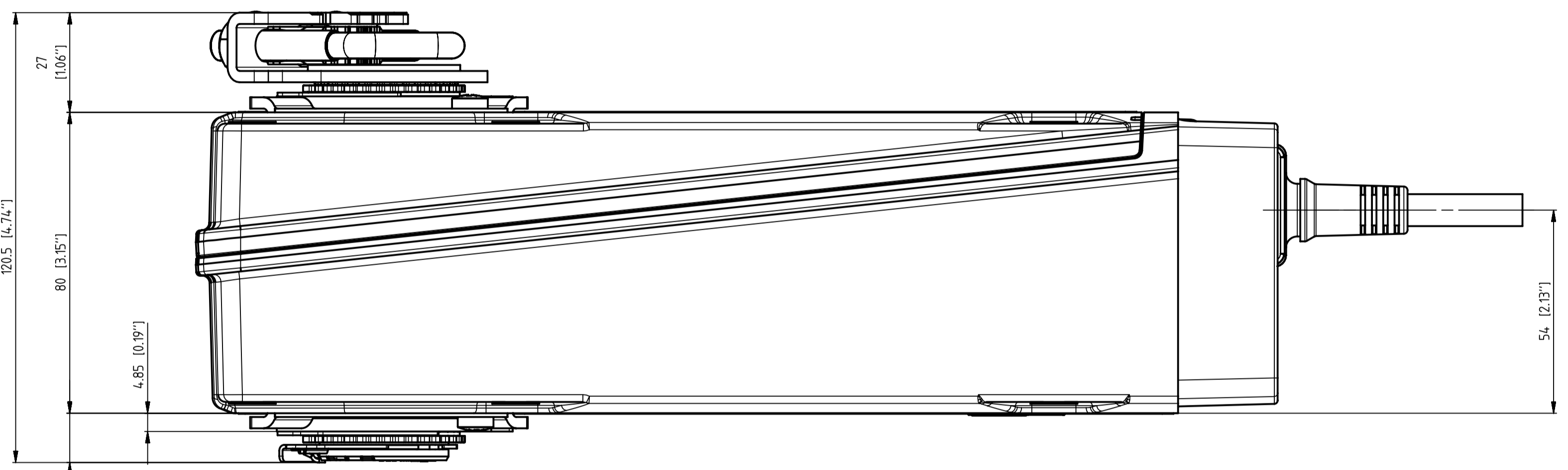
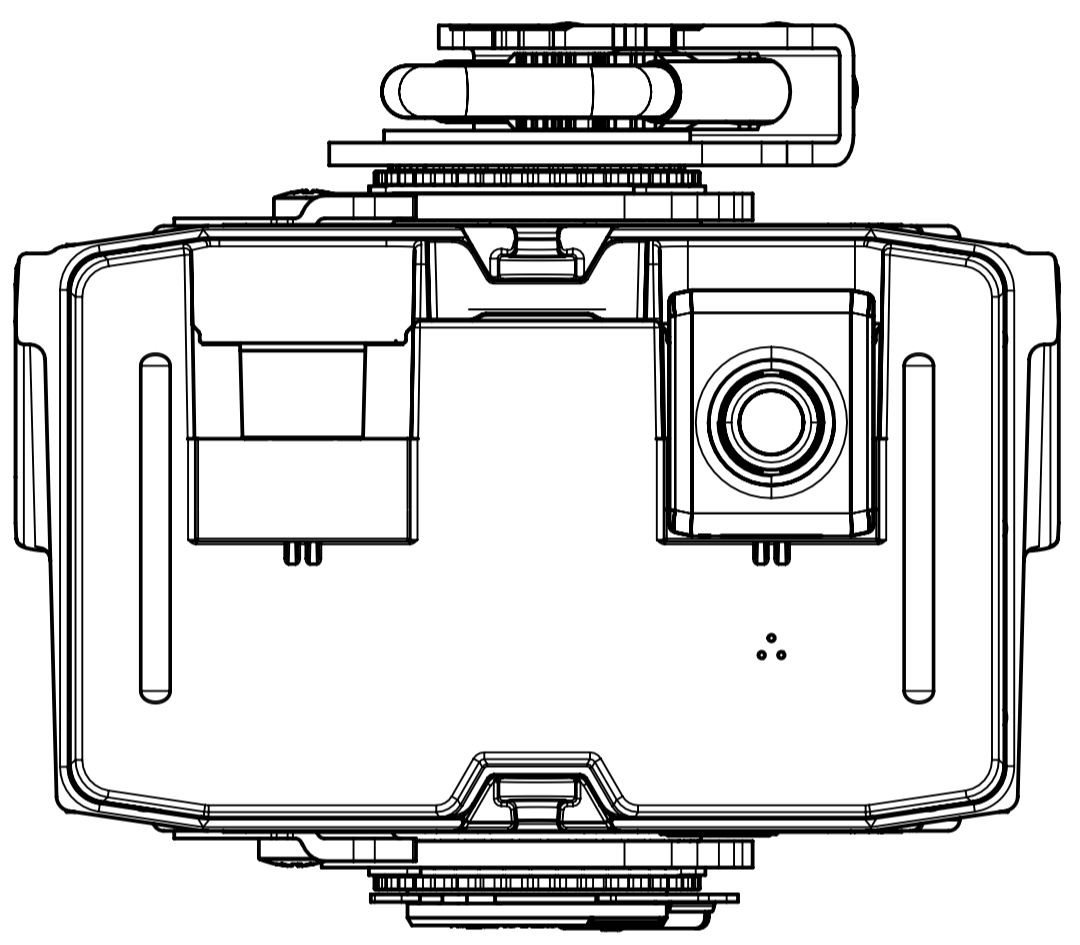


Legal Notice: Any distribution, copying or disclosure
 without the written consent of the manufacturer is
 expressly prohibited. In case of compliance with the
 terms of design registration are reserved.

General tolerances in accordance
 with ISO 2768-mK

Notes: Dimensions are in millimeters
 (mm), 1 inch = 25.4 mm, first
 angle projection method.



Drawn	Date	Name	Document description
Appr.	03.05.2011	ABE	EF...A
Scale:	1:1		
Voll cm³:			
<input type="checkbox"/> Inspection agreement with supplier <input type="checkbox"/> See inspection agreement <input type="checkbox"/> No inspection agreement necessary			Document number: not released for production Material specification:
			Dev.no: ch0038451 Dev.rev: 02 No. of sheets: 1 Sheet no: 1