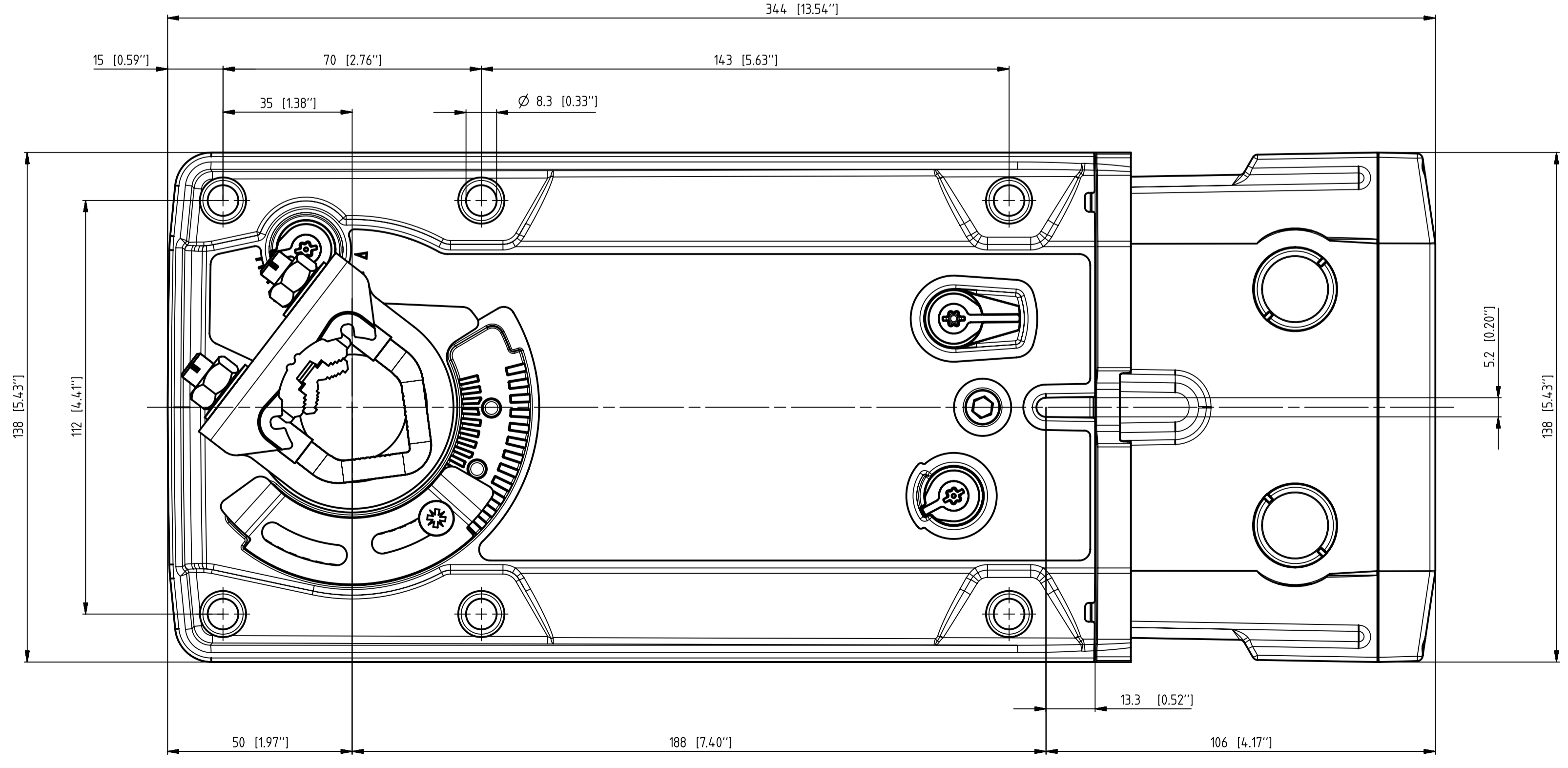
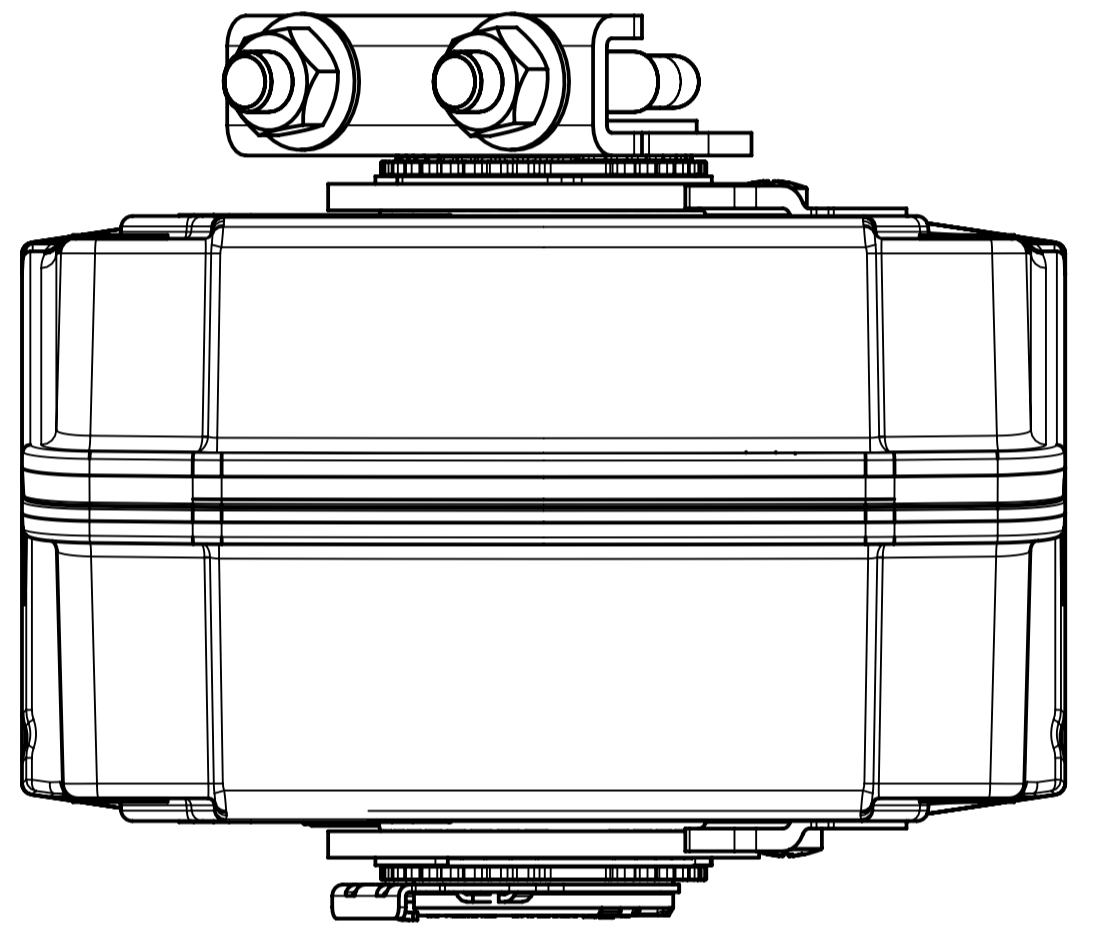
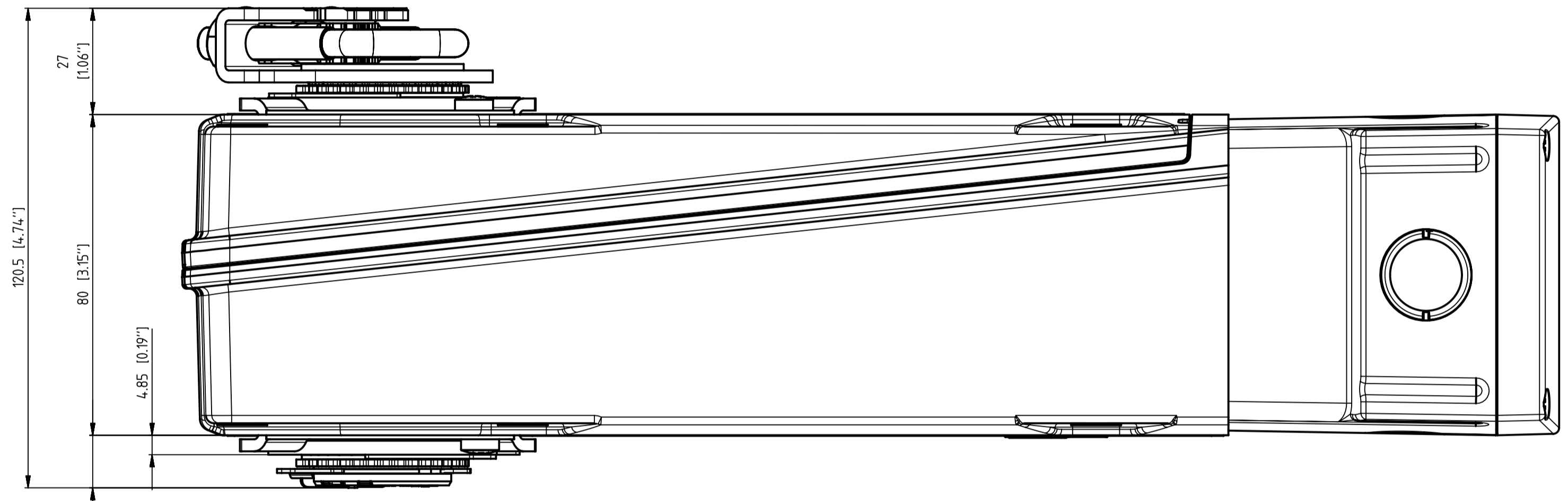
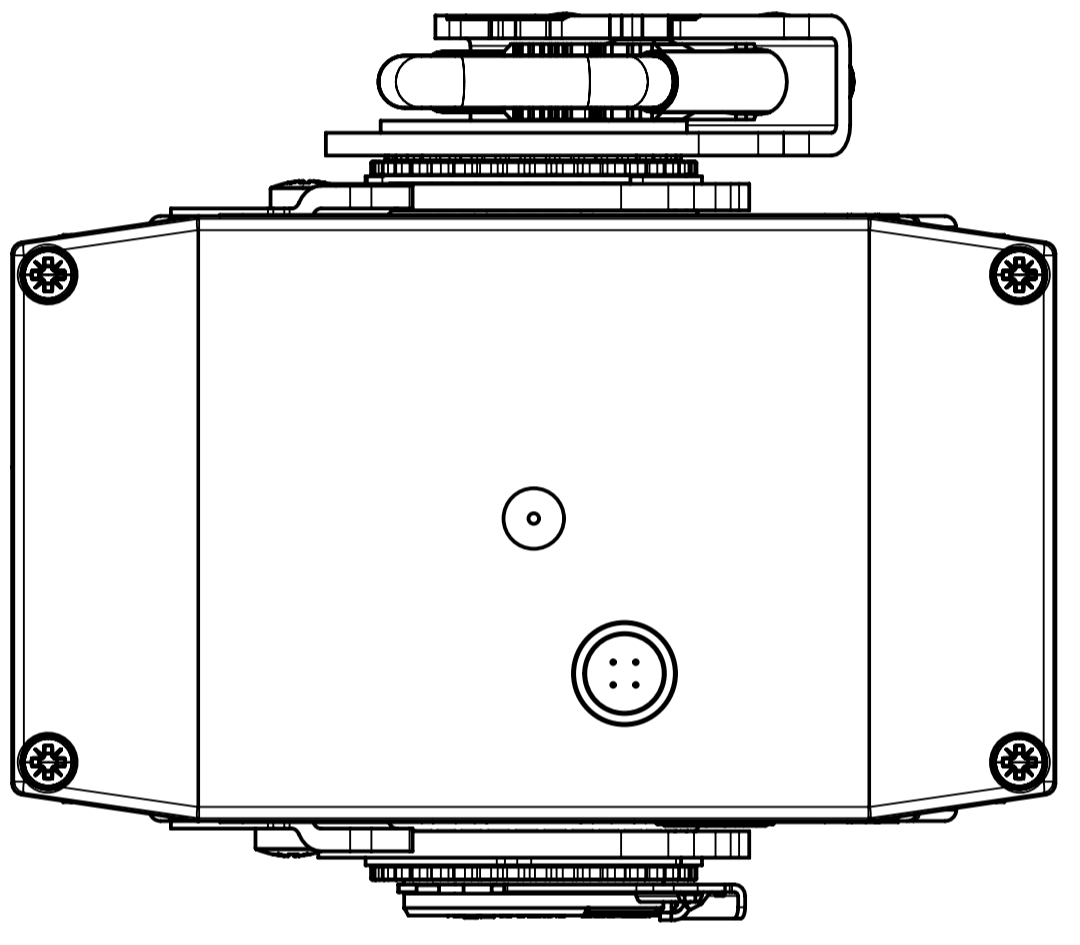


Legal Notice: Any distribution, copying or disclosure  
 expressly authorized by the manufacturer is prohibited  
 unless otherwise stated. All rights reserved.

General tolerances in accordance  
 with ISO 2768-mK

Notes: Dimensions are in millimeters  
 (mm), 1 inch = 25.4 mm, first  
 angle projection method.



Inspection agreement with supplier  
 See inspection agreement  
 No inspection agreement necessary

Drawn	Date	Name	Document description
Appr.	03.05.2011	ABE	EF...G
Scale:	1:1		
Voll cm <sup>3</sup> :			
			Document number
			not released for production
Material specification			
Dev.no:			ch0038451
Dev.rev:			02
No. of sheets:			1
Sheet no:			1

Federrücklaufantrieb  
 spring return actuator  
 30Nm