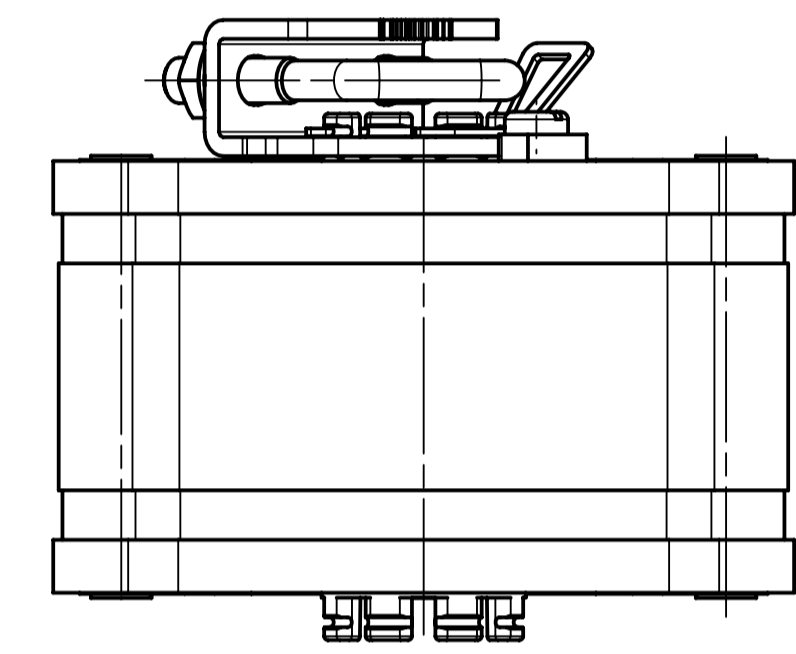
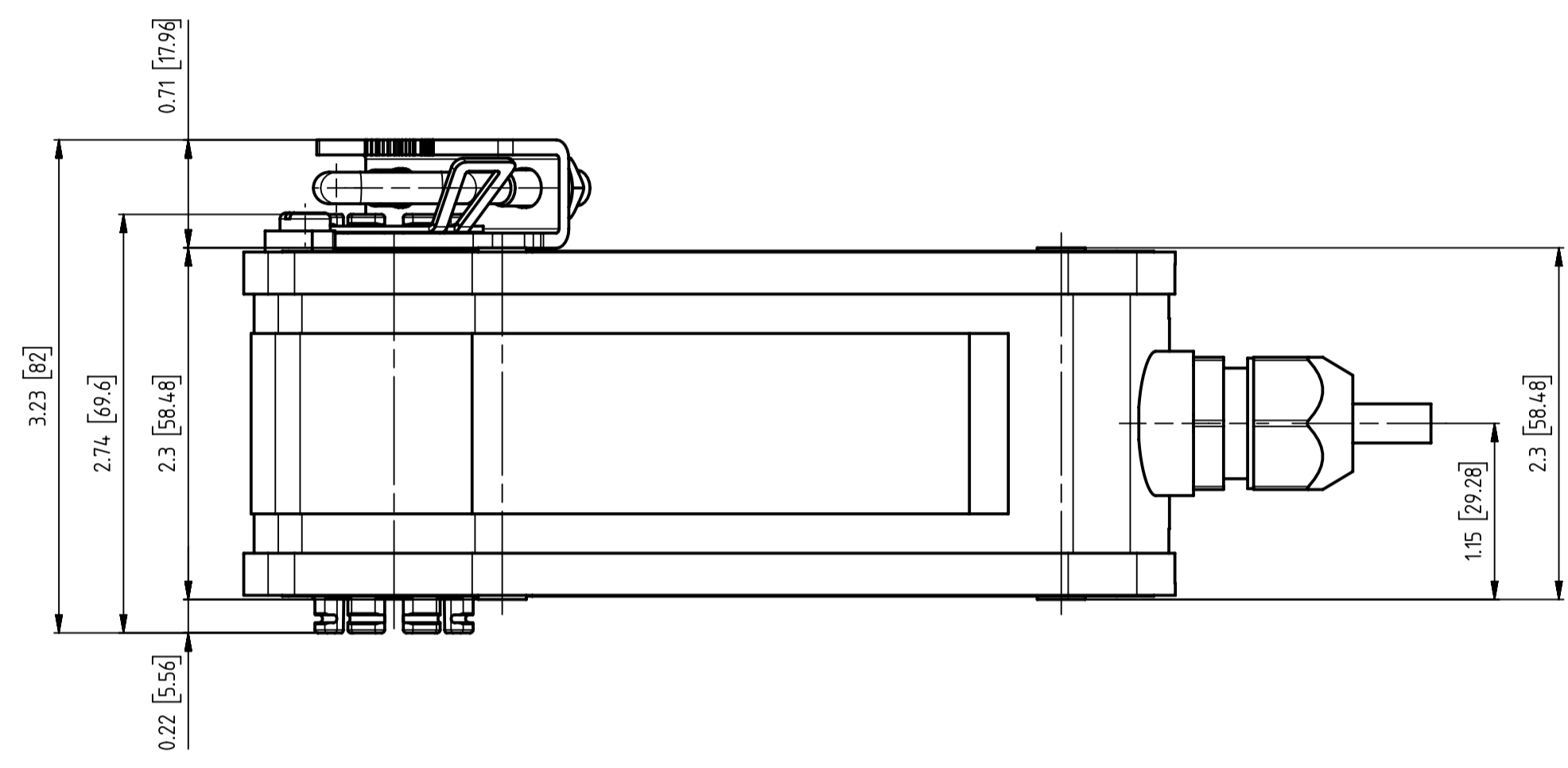
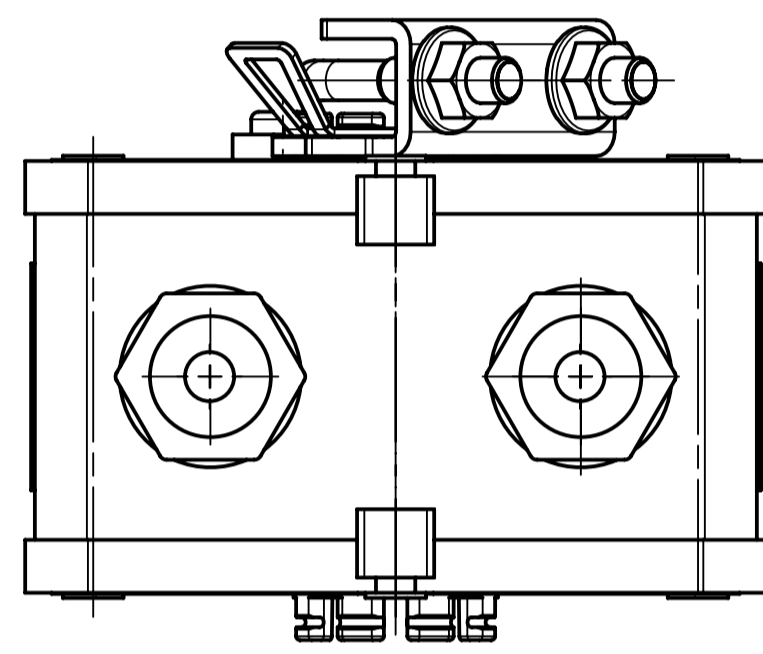


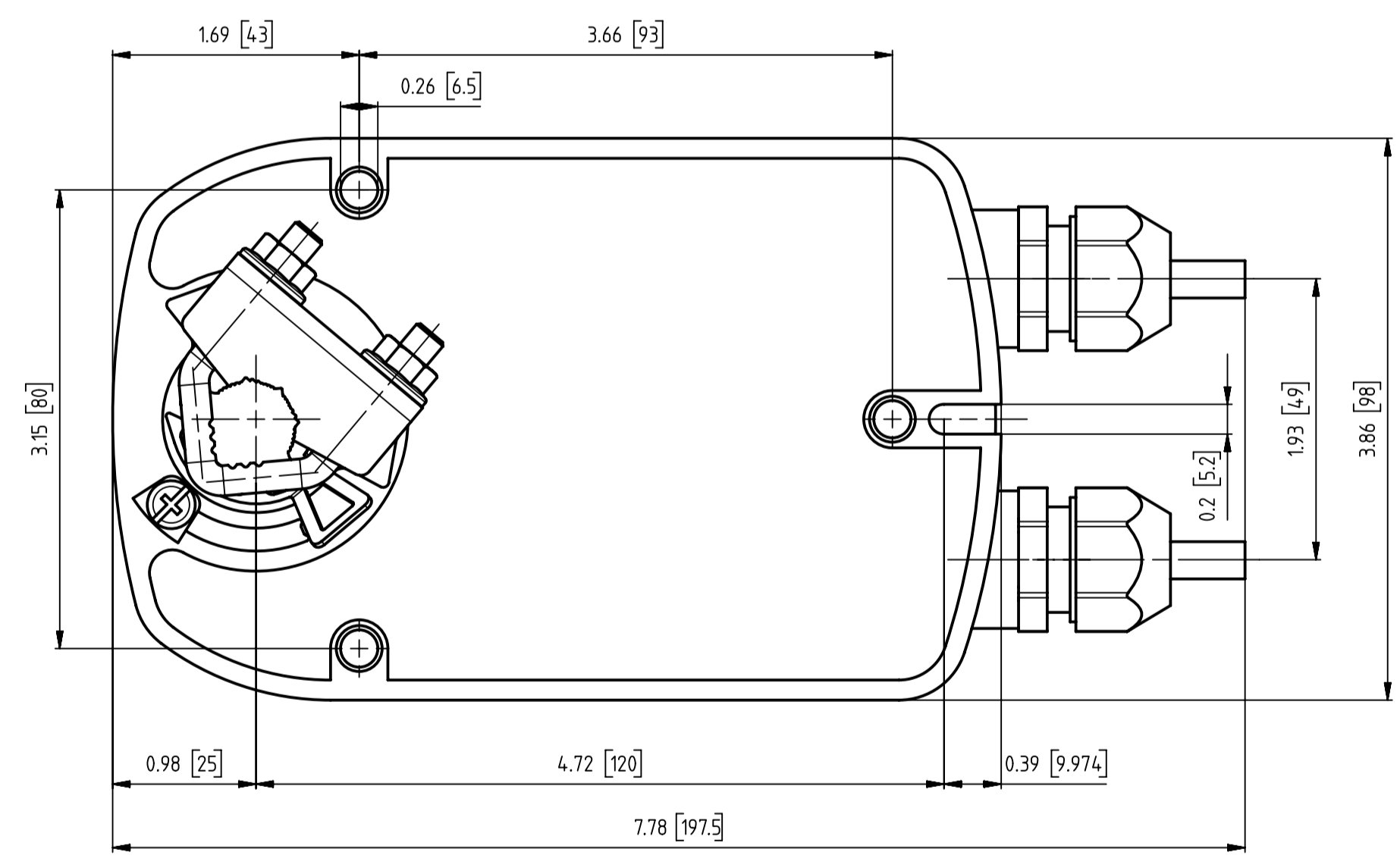
Legal Notice: Any distribution, copying or disclosure
without the express written consent of the manufacturer
is prohibited. All rights reserved. No liability for injur-
ing or design registration are reserved.

General tolerances in accordance
with ISO 2768-mK

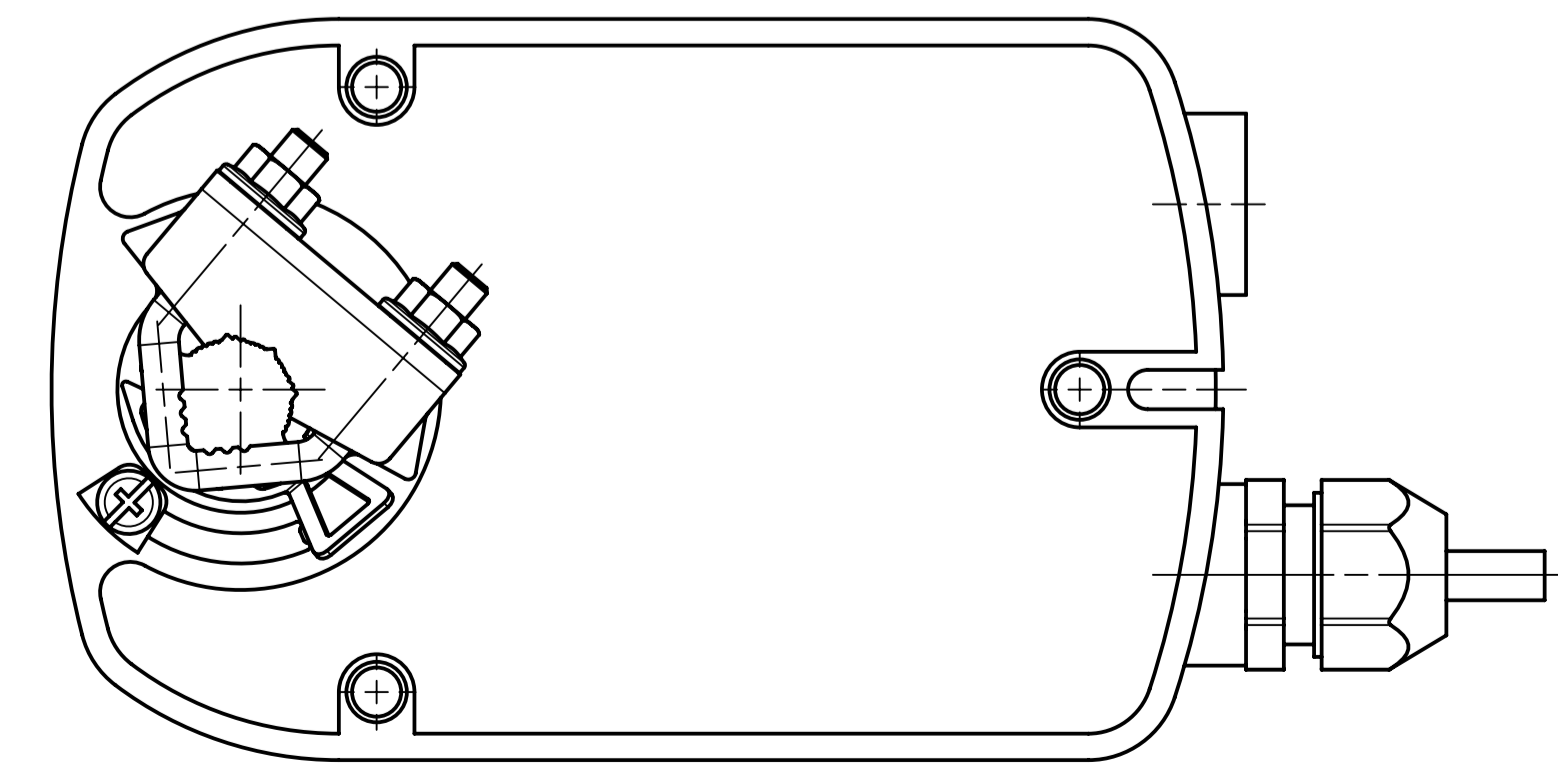
Notes: Dimensions are in millimeters
(mm). 1 inch = 25.4 mm first
angle projection method.



Antrieb mit zwei Kabelanschlüssen
actuator with two cable connections



Antrieb mit einem Kabelanschluss
actuator with one cable connection



Inspection agreement with supplier
 See inspection agreement
 No inspection agreement necessary

Drawn	Date	Name	Document description
Appr.	27.09.2012	gcp	Federantr. spring ref. act. LF 4 Nm
Scale:	1:1		
Voll cm³:			Document number
			not released for production
			Material specification
			Dev.no: ch005428 Dev.rev: 004
			No. of sheets: 1 Sheet no: 1