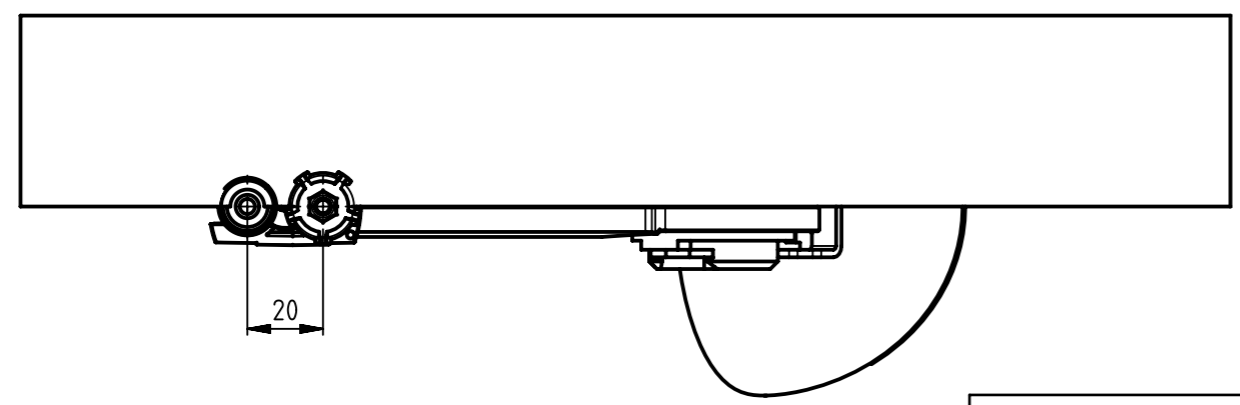
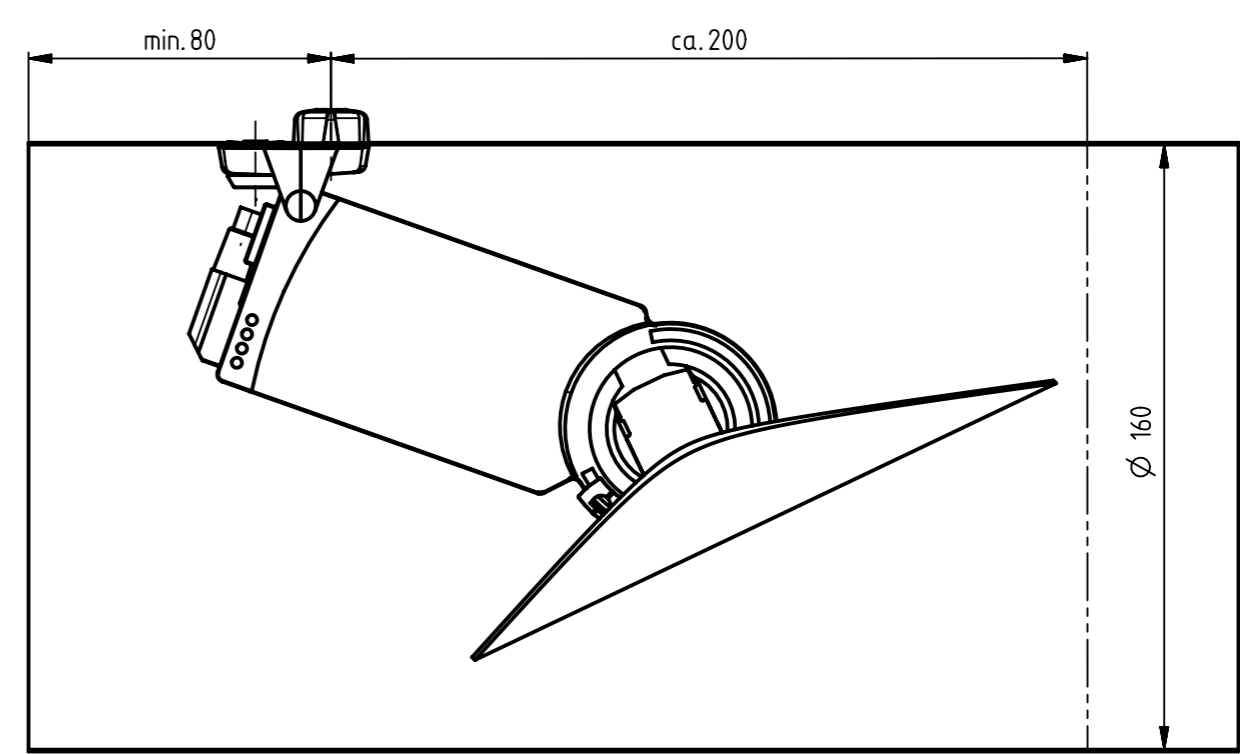
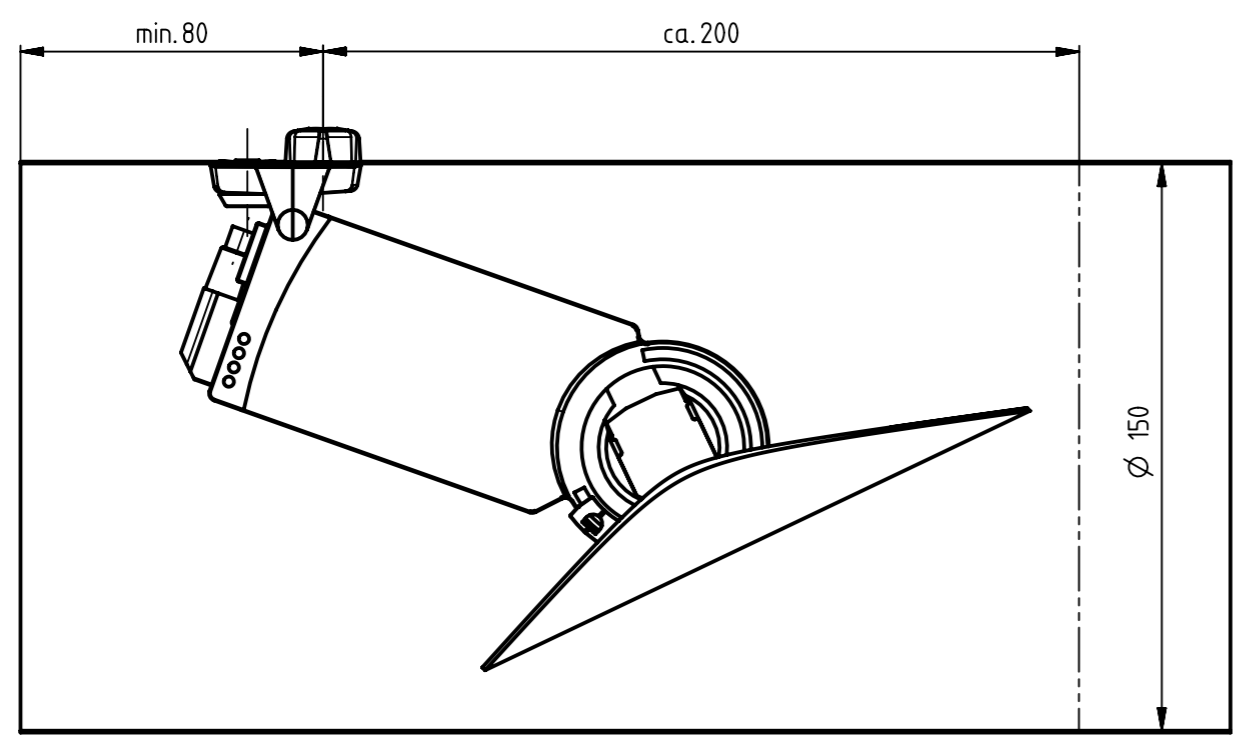
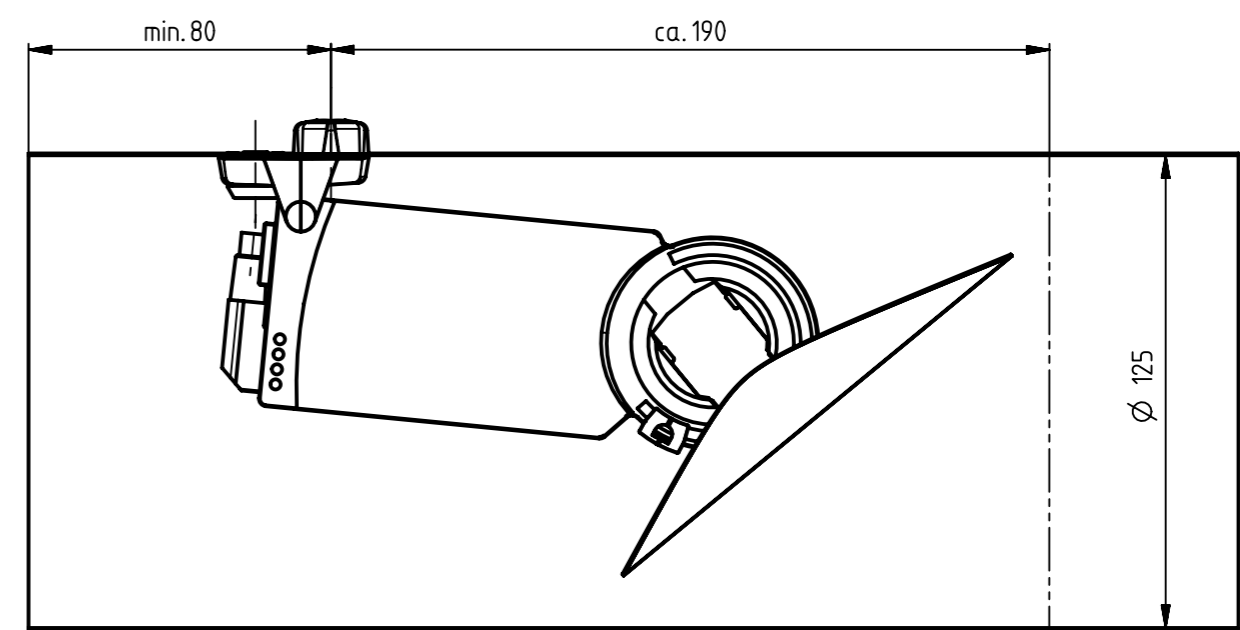
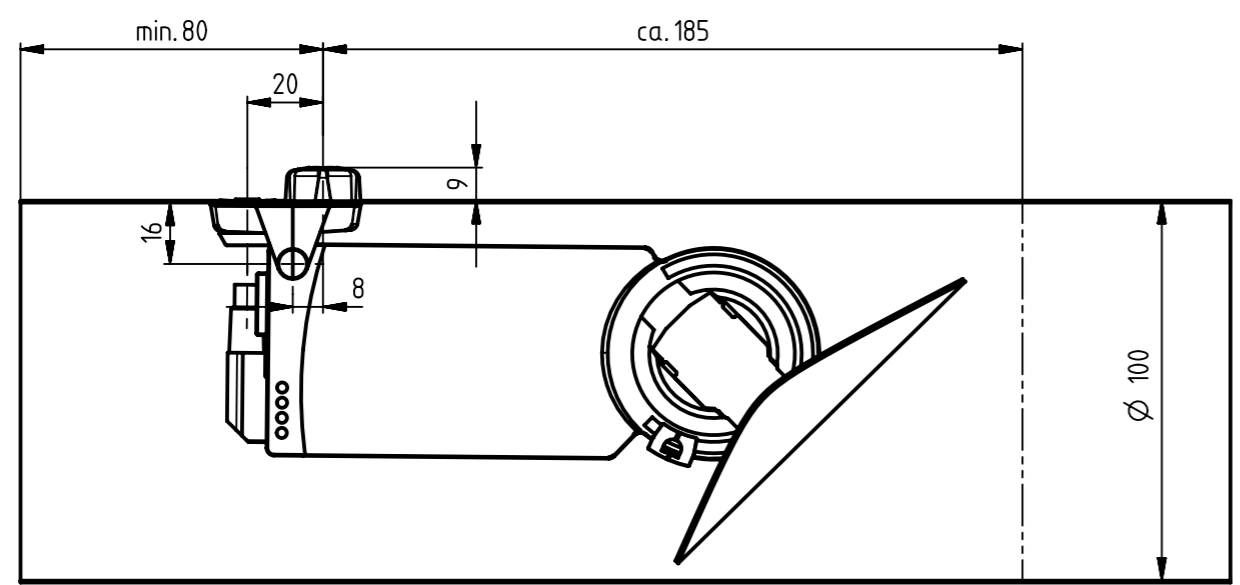


Legal Notice: Any distribution, copying or disclosure of this document or its contents is prohibited, unless expressly authorized. Failure to comply will incur liability for damages. All rights pertaining to patenting or design registration are reserved.

General tolerances in accordance with ISO 2768-mK

Notes: Dimensions are in Millimeters (mm), 1 inch = 25.4 mm Drawn according to the first angle projection method.



Inspection agreement with supplier  
 See inspection agreement  
 No inspection agreement necessary

	Date	Name	Document description			
Drawn	01.06.2011	jb	Antrieb mit Klappe Actuator with damper CMD 100-160			
Appr.	24.06.2011	jb				
Scale:	1:2		Document number			
Voll cm <sup>3</sup> !:			CMDxxx			
			Material specification		Dev.no:	ch0016580
					Dev.rev:	01
			No. of sheets:	1	Sheet no:	1