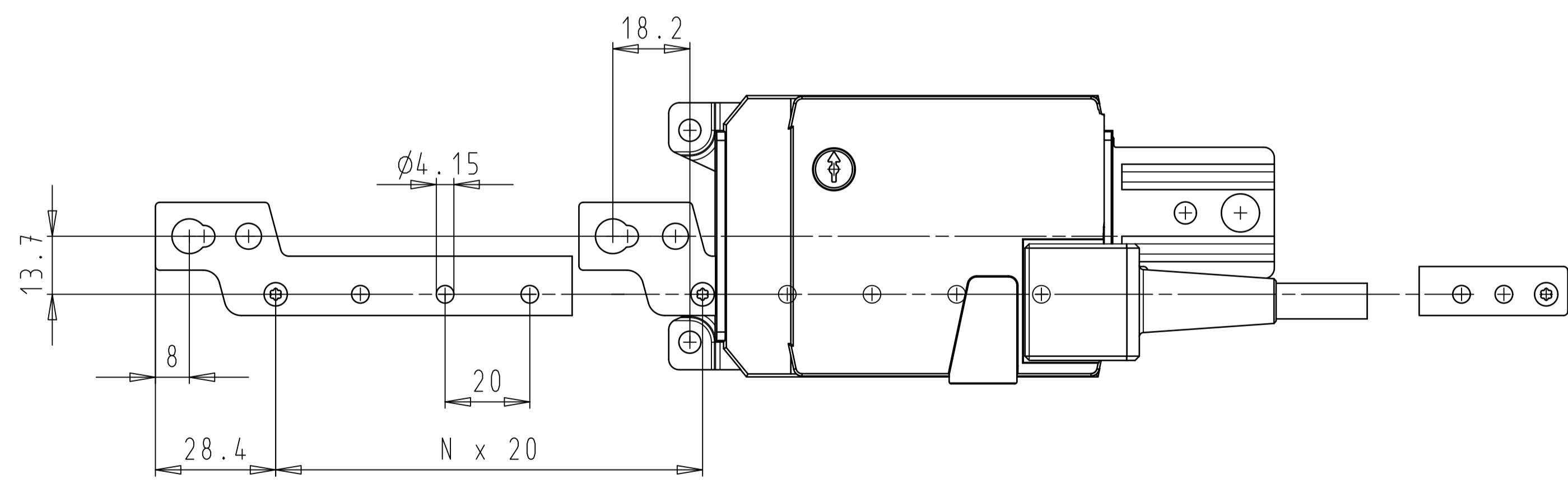
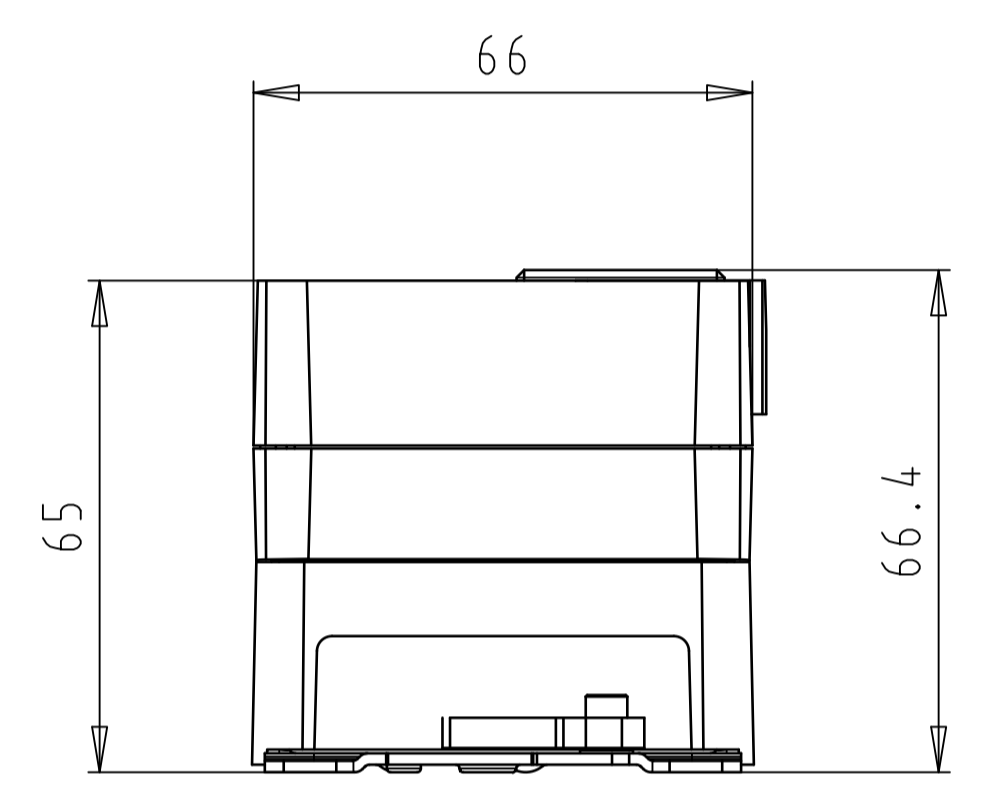
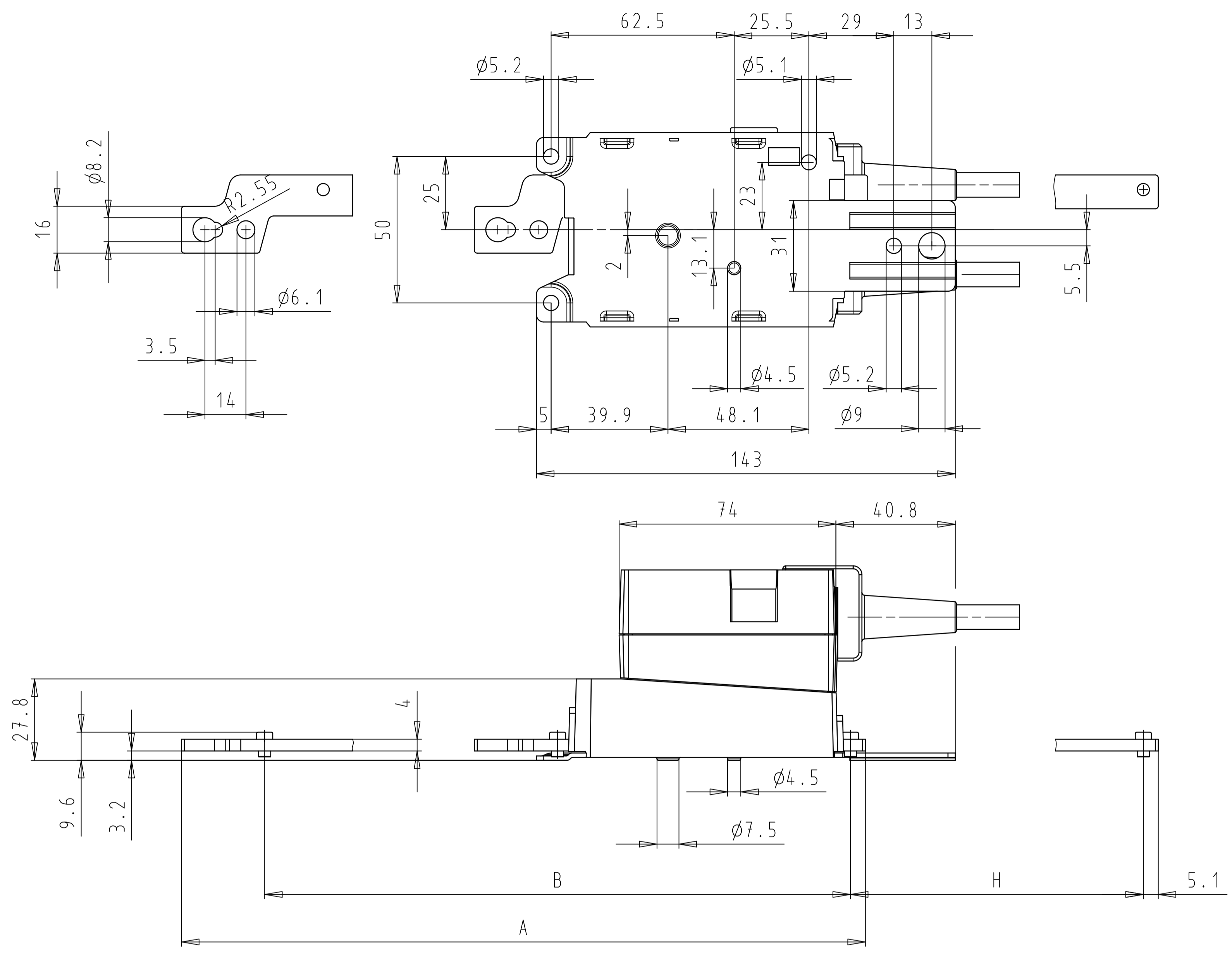
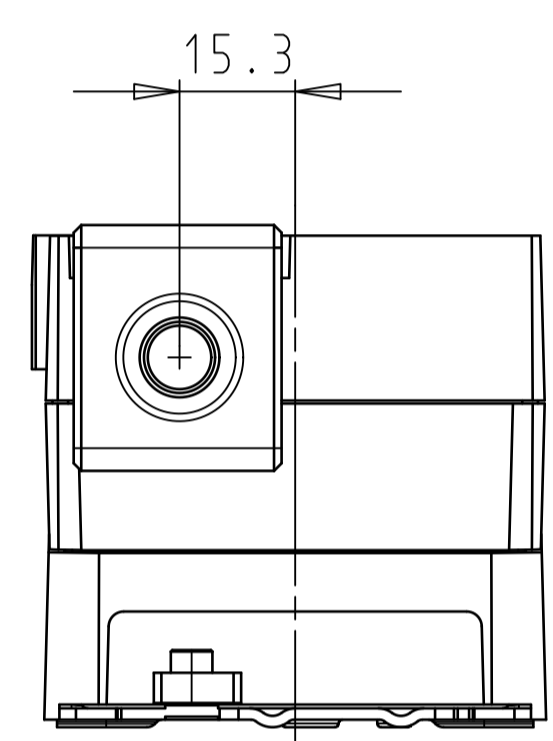


Legal Notice: Any distribution, copying or disclosure of this drawing without the express written permission of BELIMO is prohibited. Failure to comply with these conditions may result in legal action. All rights reserved. BELIMO is a registered trademark of BELIMO AG.

General tolerances in accordance with ISO 2768-m (Class medium).

Notes: Dimensions are in Millimeters (mm). 1 inch = 25.4 mm. Drawn according to the first angle projection method.



LH24A60 LH24A100 LH24A200 LH24A300  
 LH24A-SX60 LH24A-SR100 LH24A-SR200  
 LH230A60 LH230A100 LH230A200 LH230A300

Hub stroke H	A	B	N
060	193.5	160	3
100	233.5	200	5
140	273.5	240	7
200	333.5	300	10
300	433.5	400	15

naming		pos.	material no	ind.	material
h			date	name	Linearantrieb linear actuator 150N
g			18.10.06	GXe	
f			apppr.		
e			scale:	1:1	
d					
c					
b					
a					
rev	change	date	name	similar drawing:	replacement for:
	note				replaced by:



LH\_A\_x00\_standard