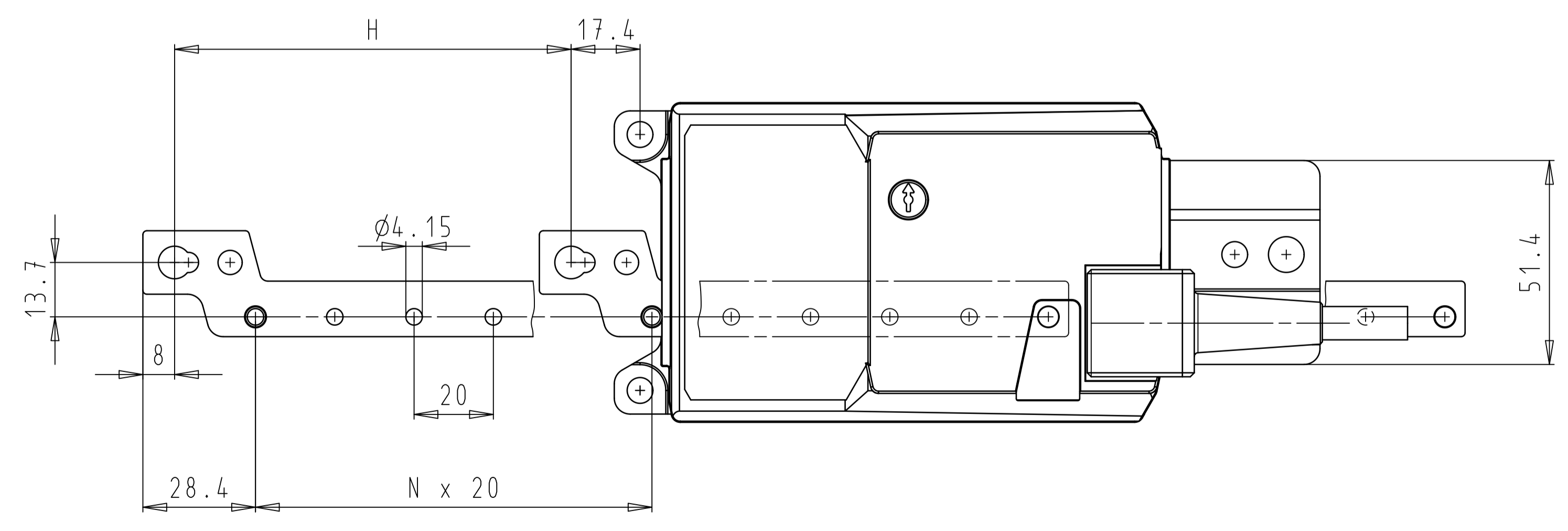
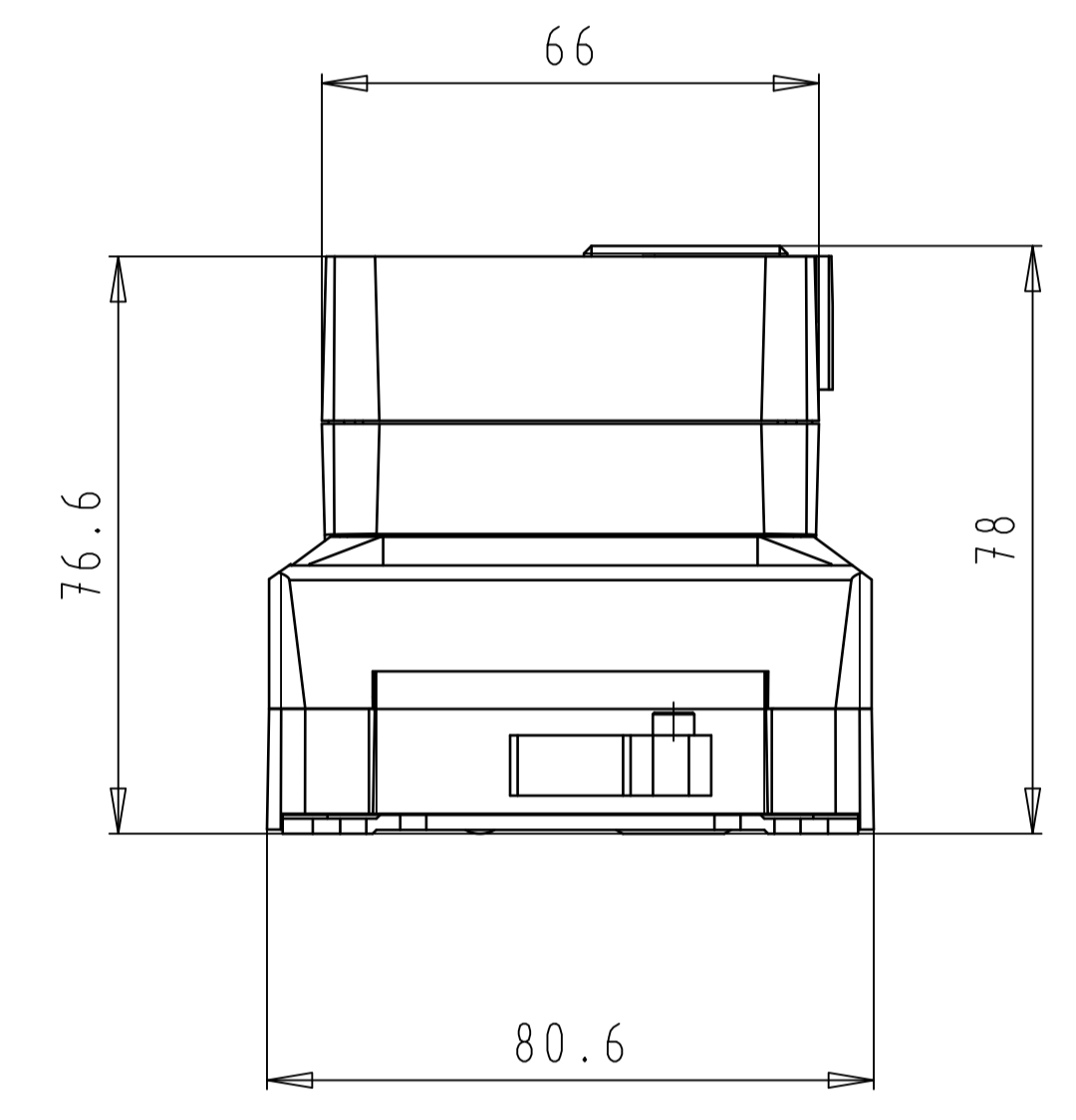
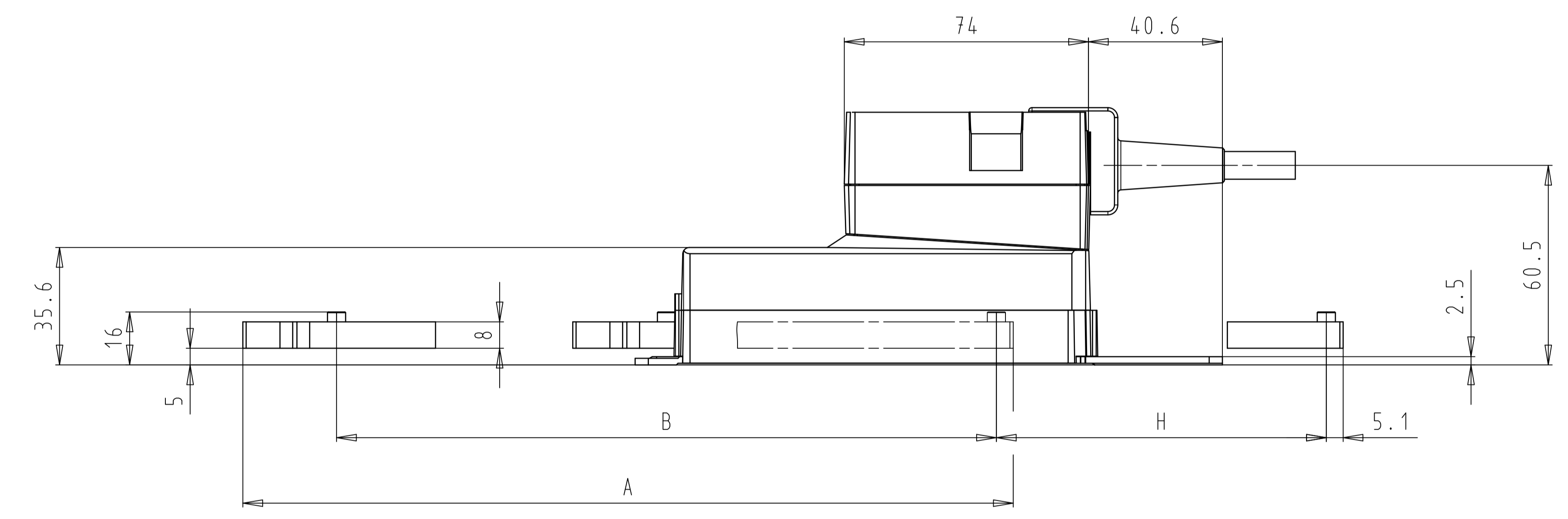
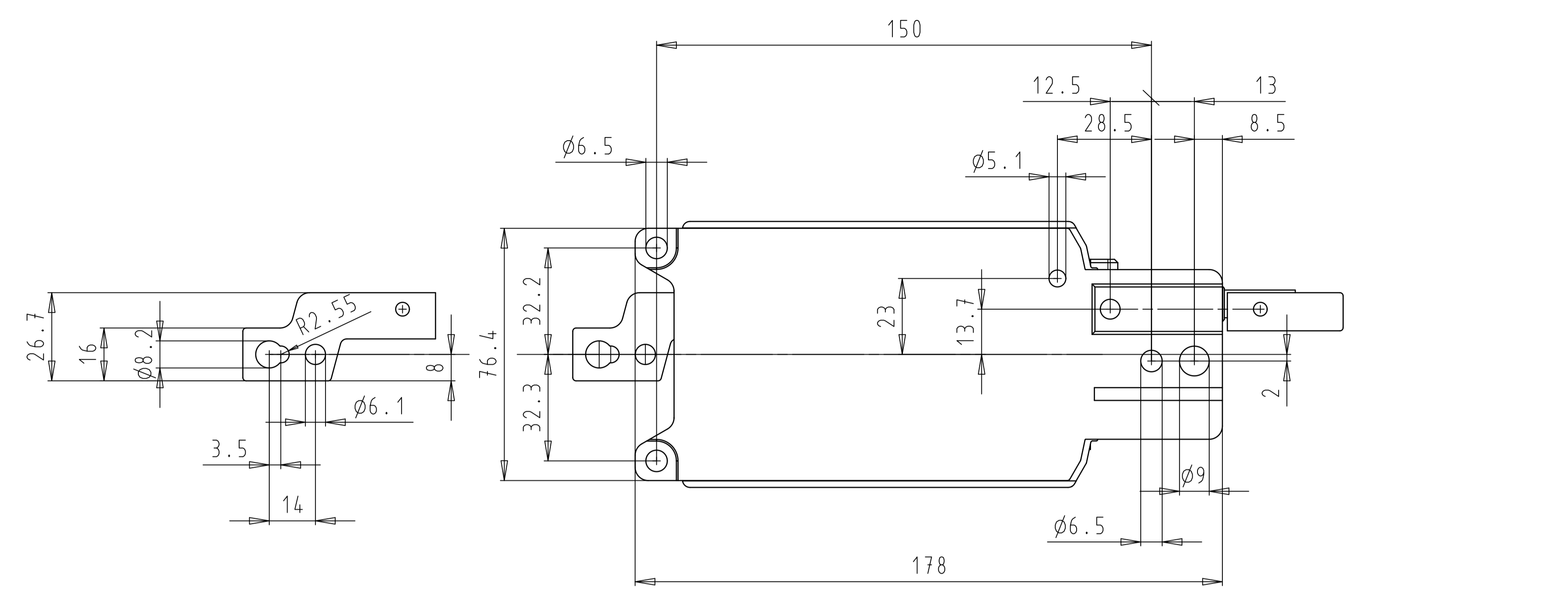
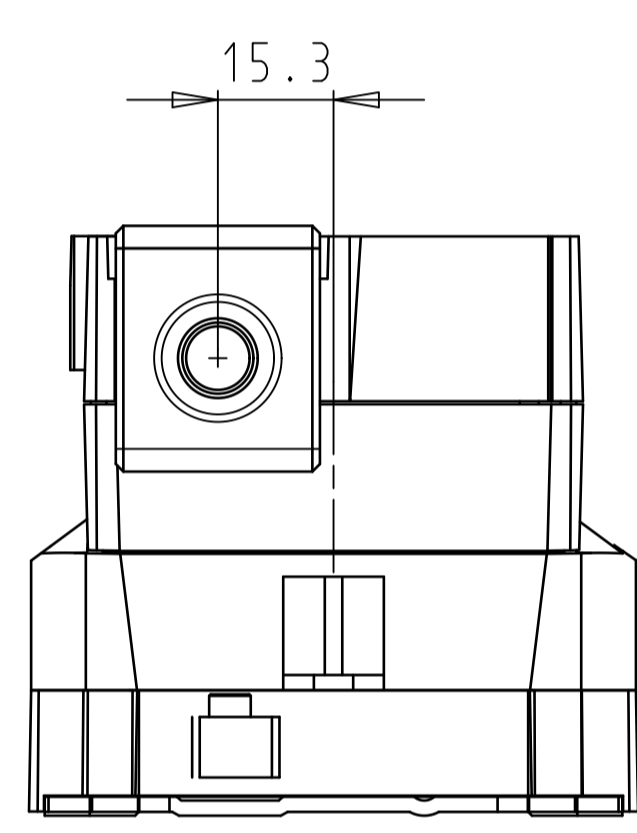


Notes: Dimensions are in Millimeters (mm), 1 inch = 25.4 mm. Drawn according to the first angle projection method.  
 20.12.2007 15:52:7.8 CAD FILE PROJECTION: ME1002.

General tolerances in accordance with ISO 2768-m (class medium).

Legal Notice: Any distribution, copying or disclosure of this document is prohibited without the express written authorization of BELIMO. Failure to comply with these conditions may result in legal action. All rights reserved. Copying or design registration are restricted.



Hub stroke H	A	B	N
100	233.5	200	5
200	333.5	300	10
300	433.5	400	12

SH24A100 SH24A200 SH24A300  
 SH24A-SR100 SH24A-SR200  
 SH230A100 SH230A200 SH230A300

naming		pos.	material no	ind.	material
h			date	name	Linearantrieb linear actuator 450N
g		drawn	17.12.07	GXe	
f		appr.			
e		scale:	1:1		
d					
c					
b					
a					
rev	change	date	name	similar drawing:	replaced by:
	note				replaced for:



SH\_A\_x00\_standard