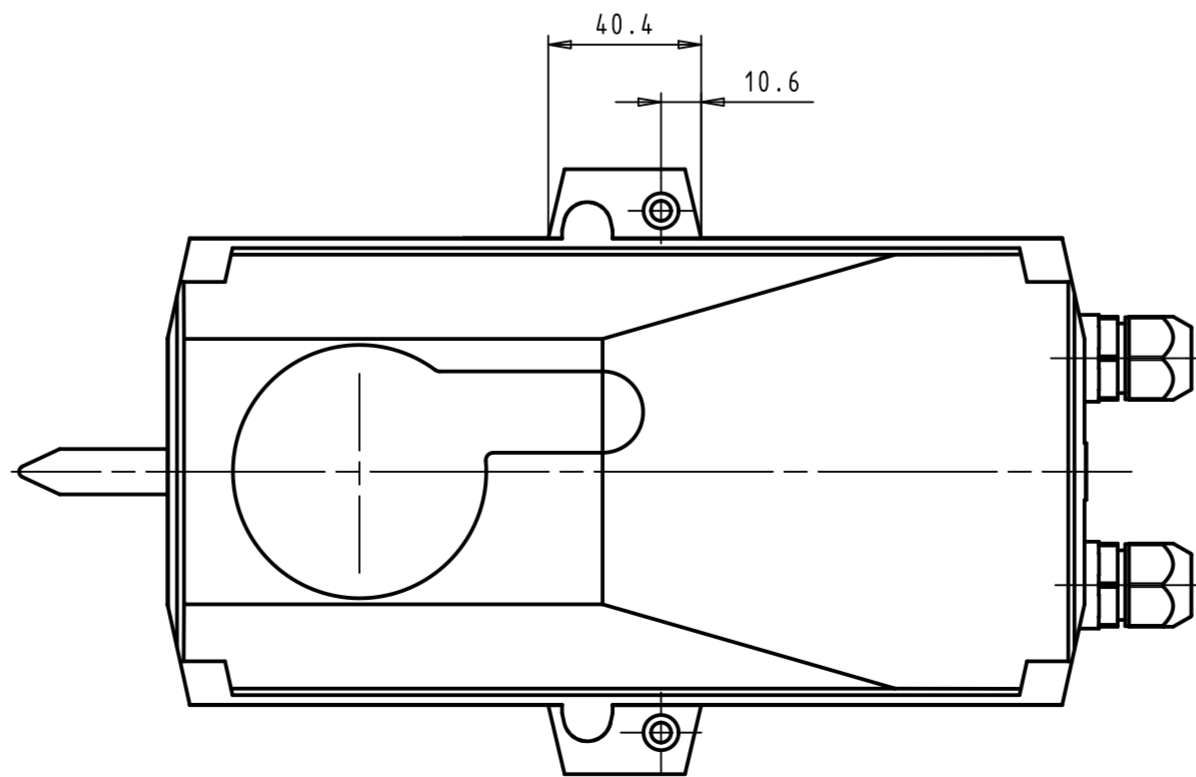
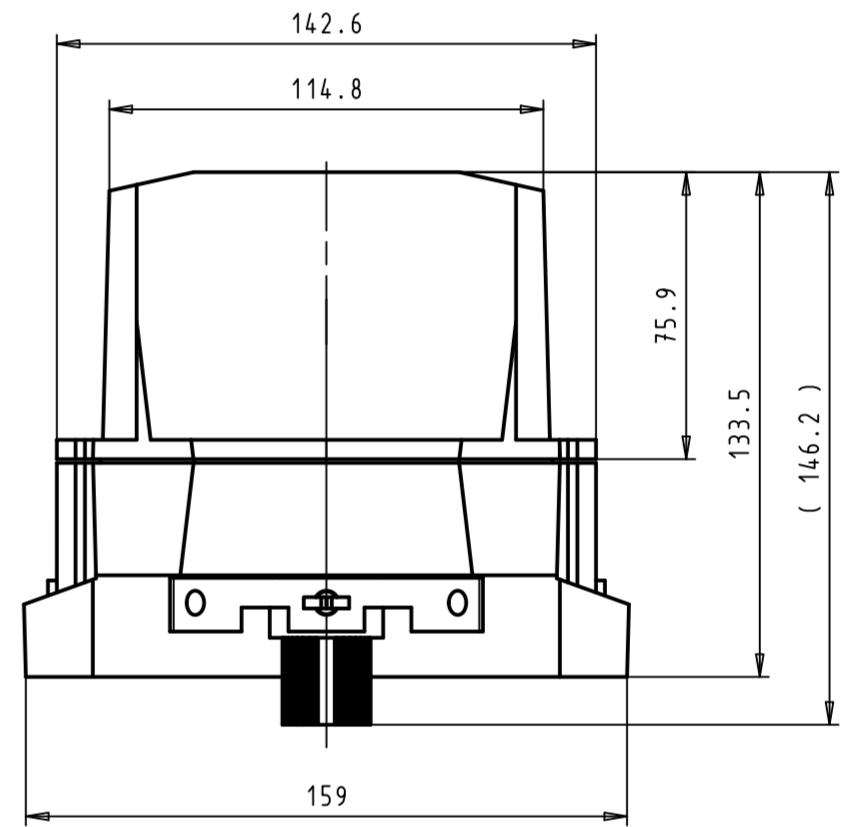
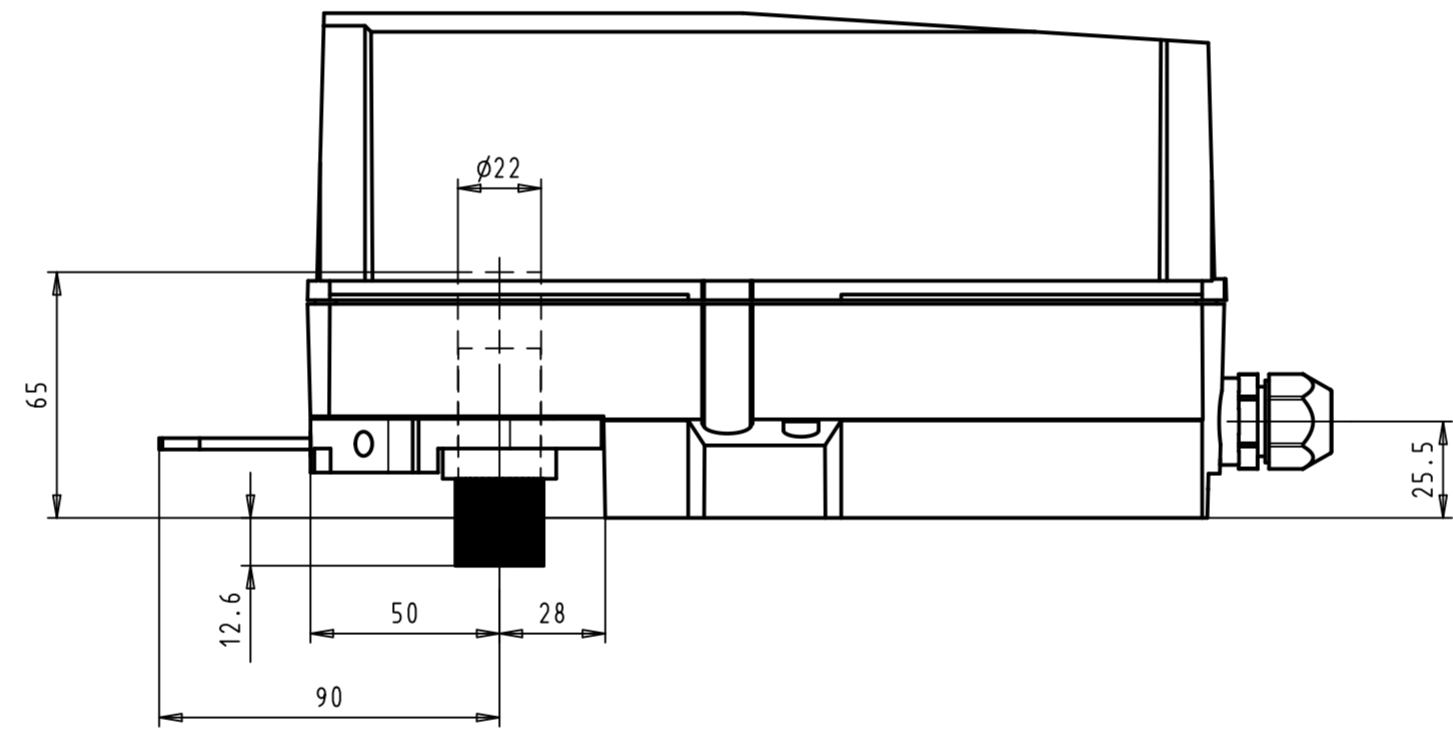
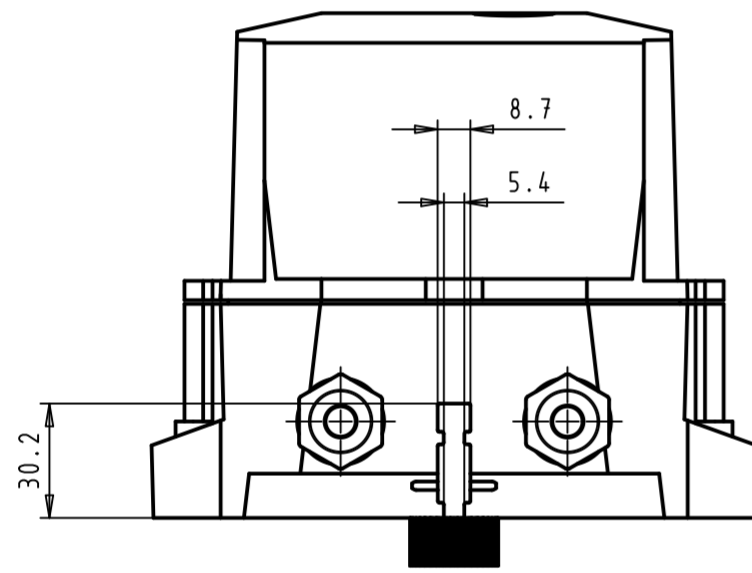
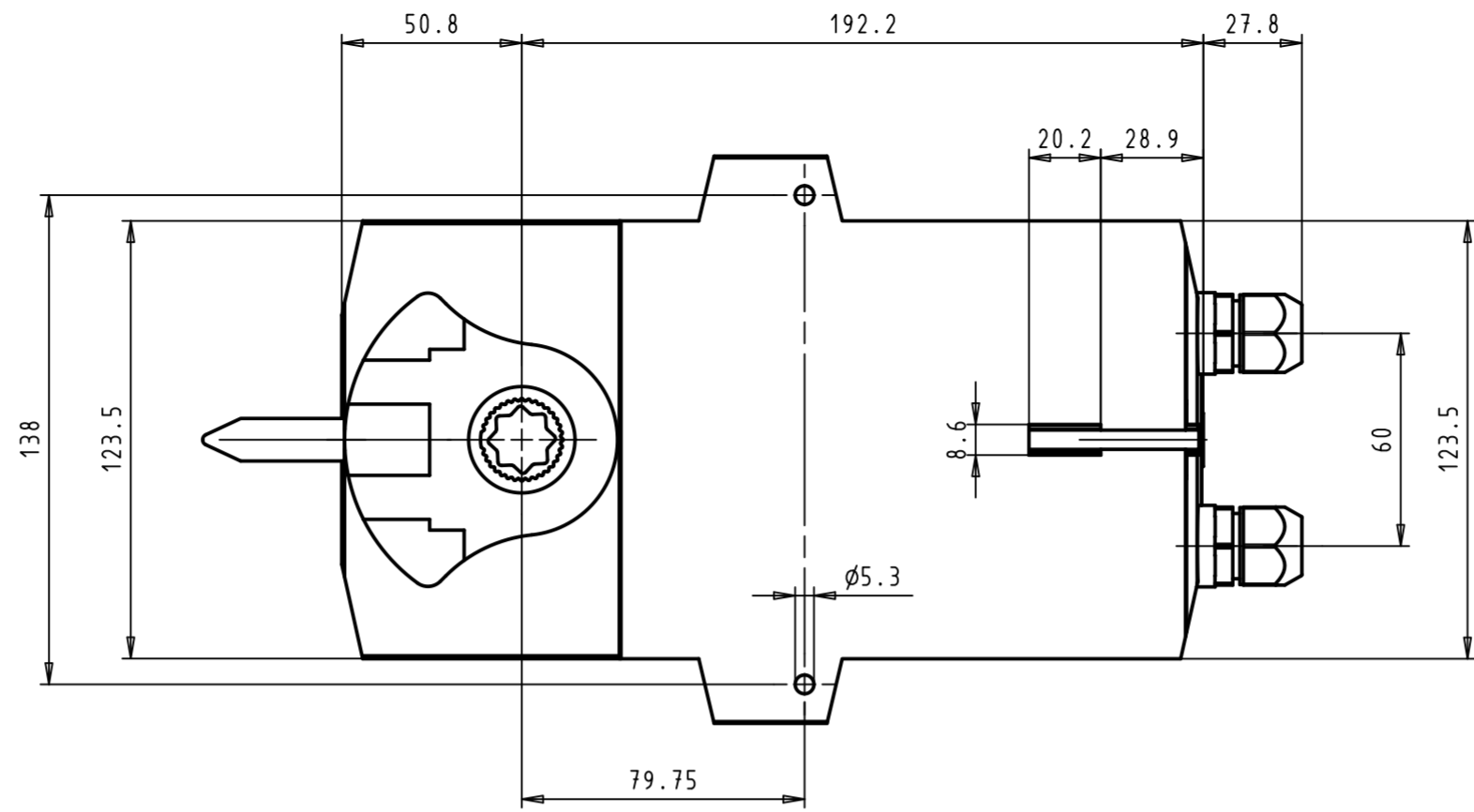


Notes: Any distribution, copying, or disclosure of this document or its contents without the express authorization of the manufacturer is expressly prohibited. Failure to comply will incur liability for damages. All rights pertaining to patenting or design registration are reserved.


General tolerances in accordance with ISO 2768-m (class medium).

Notes: Dimensions are in Millimeters (mm). 1 inch = 25.4 mm. Drawn according to the first angle projection method.

20.11.2007 14:39 v 3



Formschlussversion / Festmontage  
form-fit version / fix-mounting

naming		pos.	material no		ind.	material
h			date	name	<b>Klappenantrieb</b> <b>Damper actuator</b> <b>10Nm 20Nm</b>	
g		drawn	20.11.07 GXe			
f		appr.				
e		scale:	1:2			
d						
c					 <b>NMP-SMP-Formschluss</b>	
b						
a						
rev	change note	date	name	similar drawing:	replacement for:	replaced by: