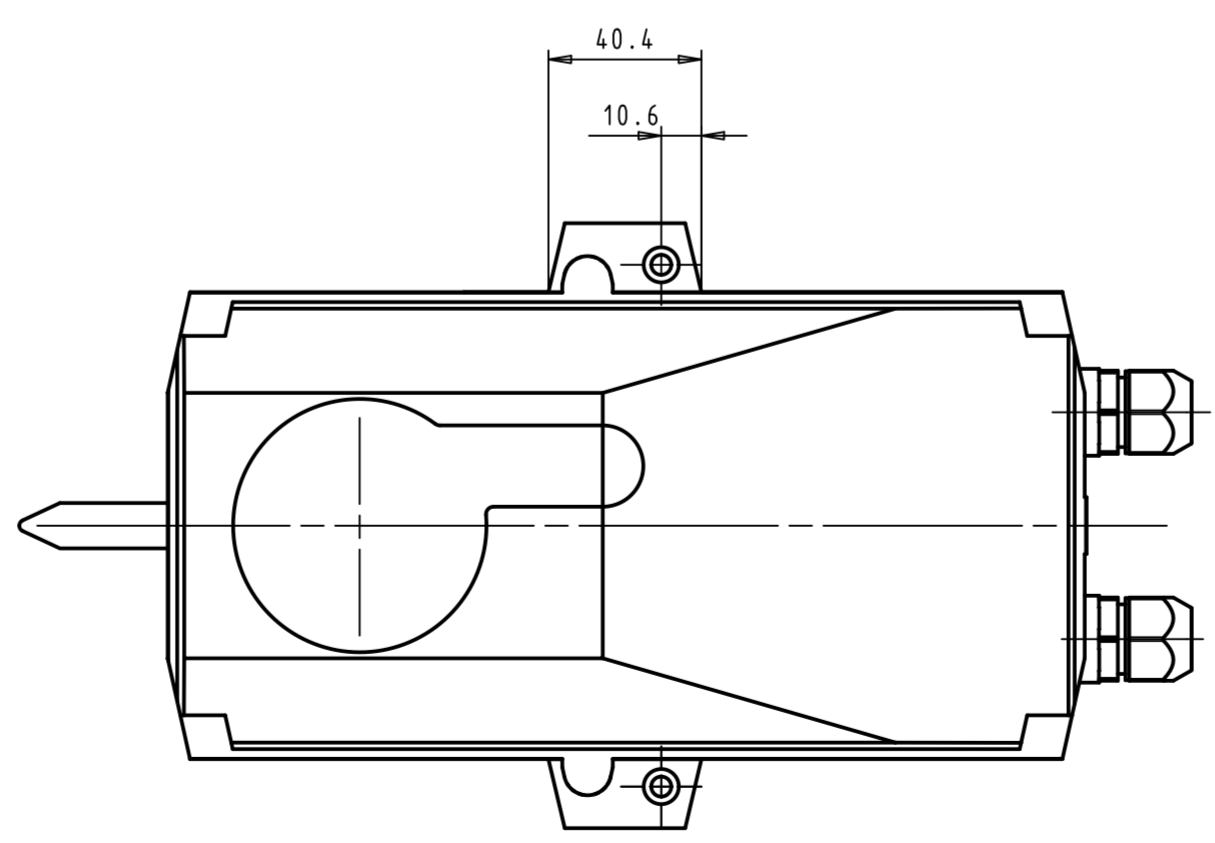
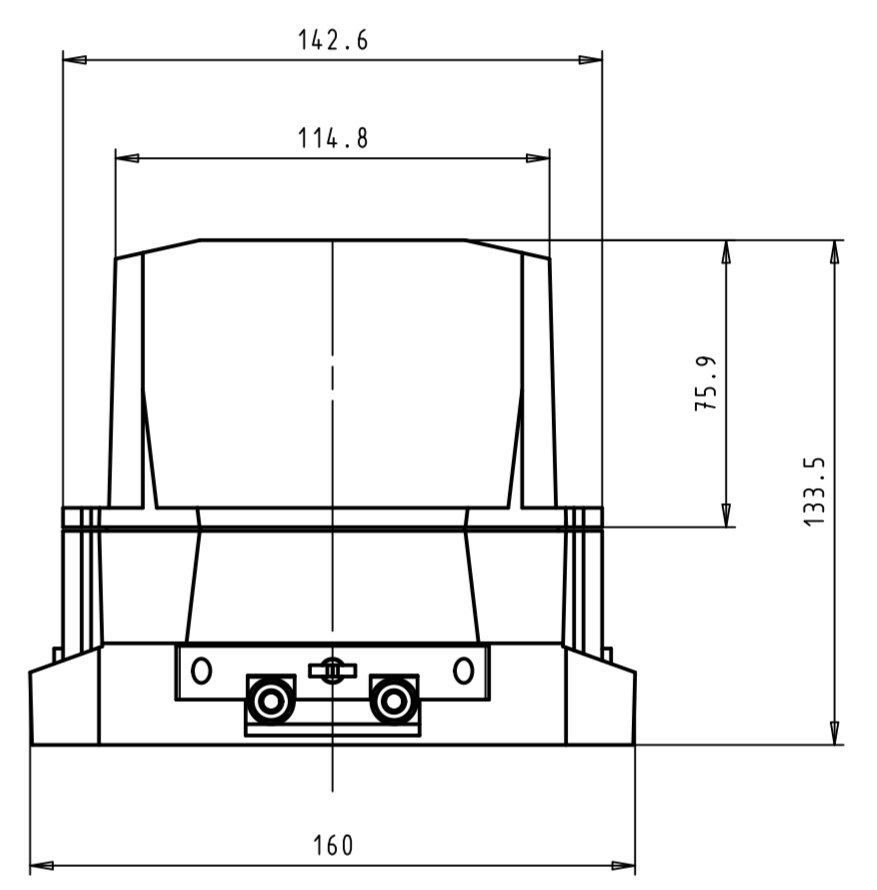
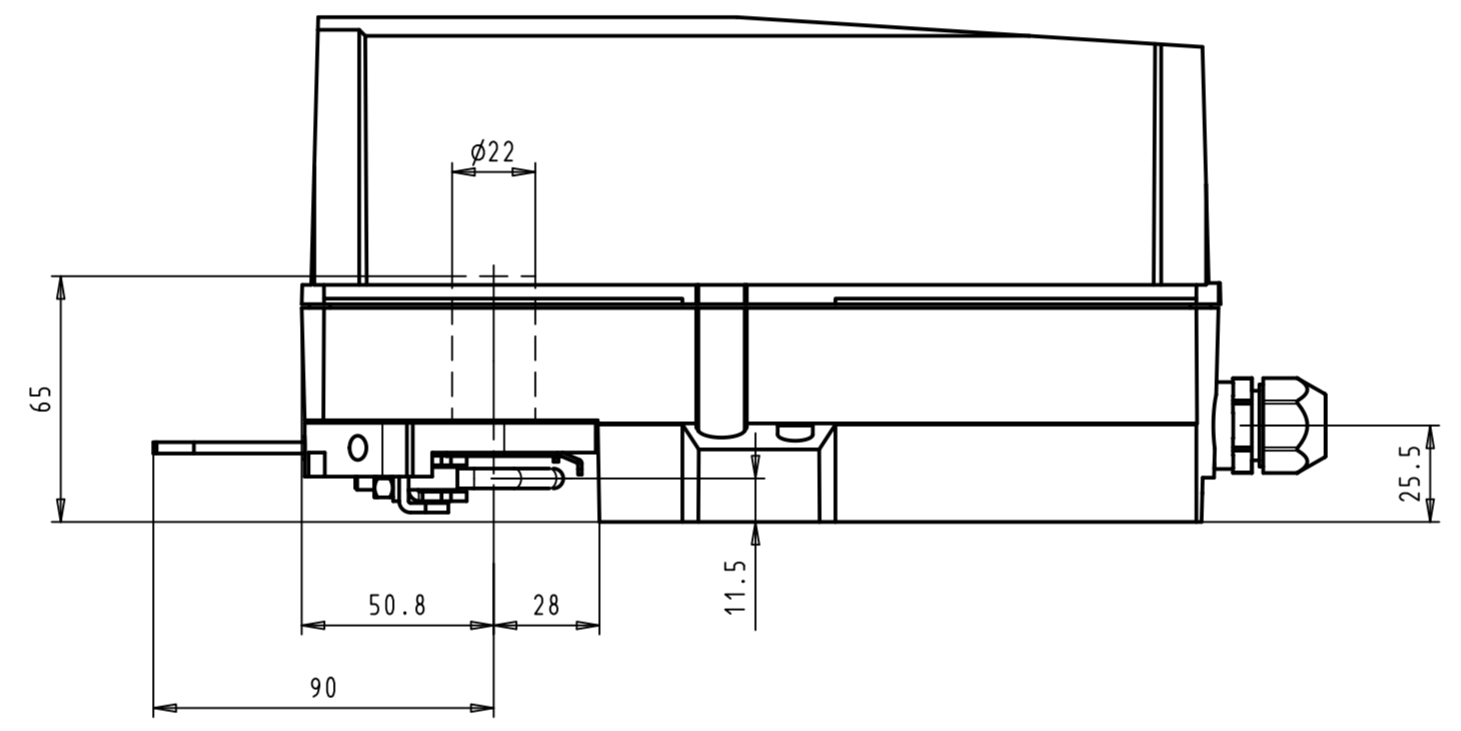
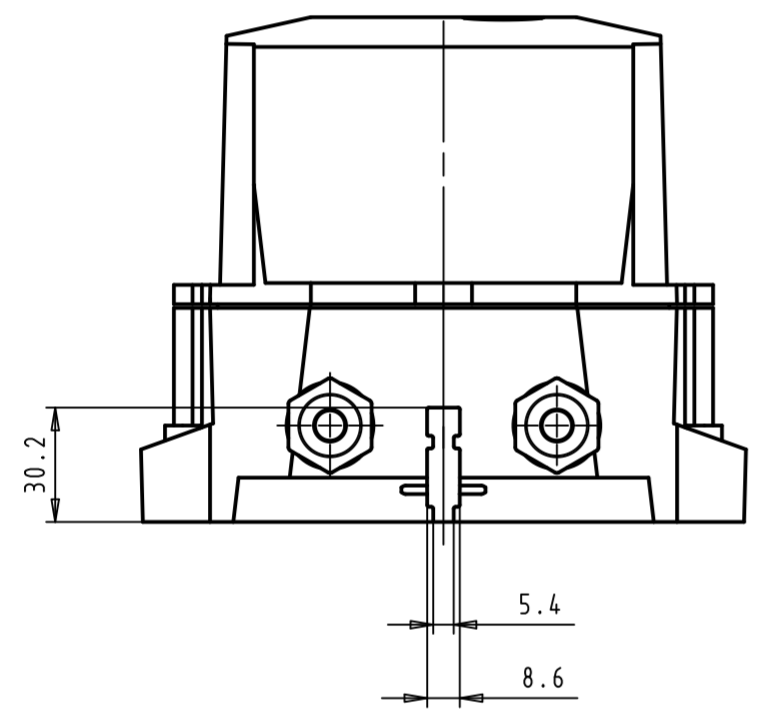
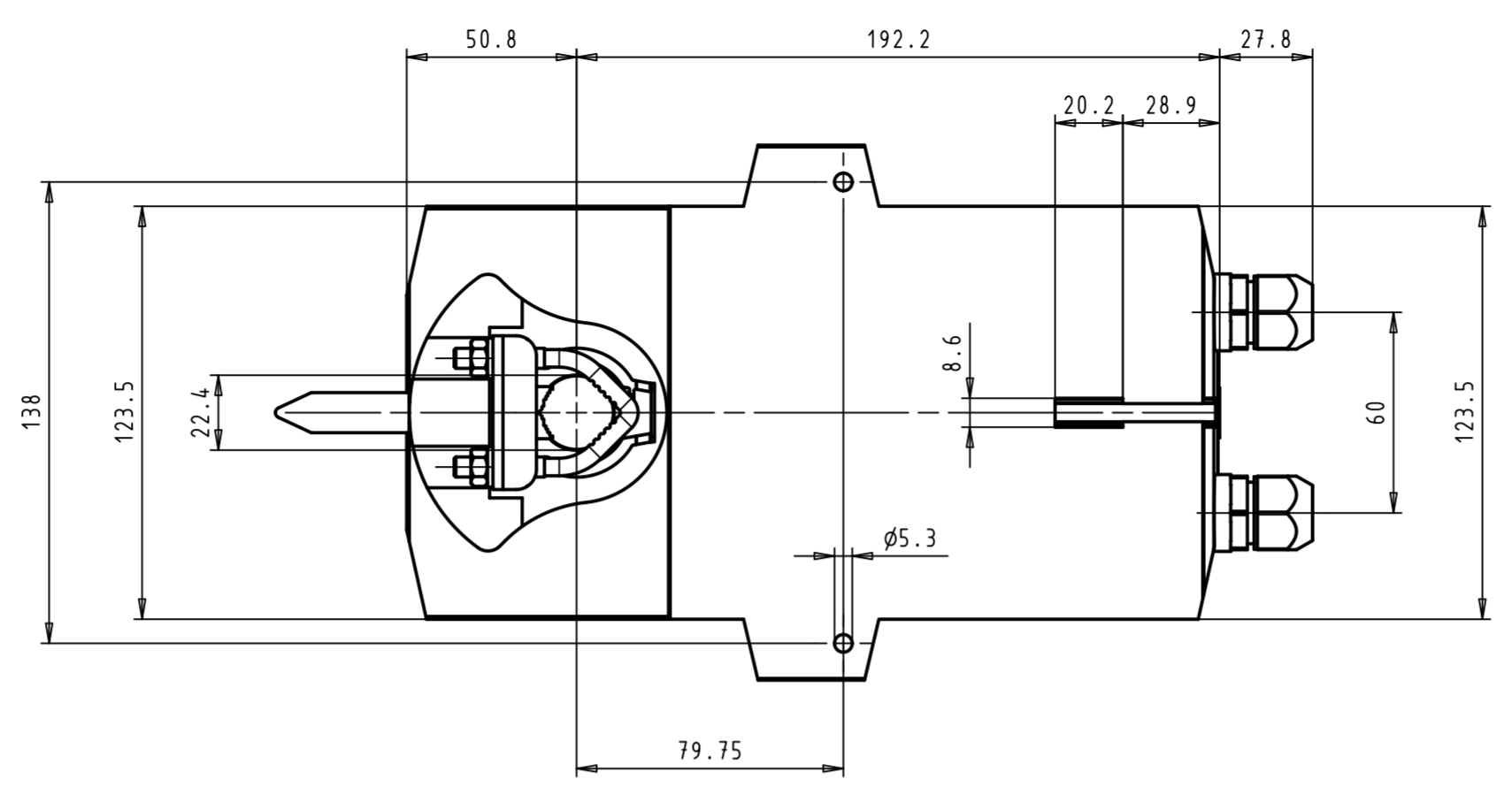


Notes: Any distribution, copying or disclosure of this document or its contents without the express authorization of BELIMO will incur the liability for damages. All rights pertaining to patenting or design registration are reserved.

General tolerances in accordance with ISO 2768-m (class medium).

Notes: Dimensions are in Millimeters (mm). 1 inch = 25.4 mm. Drawn according to the first angle projection method.



Universalklemmbock  
universal spindle clamp

naming		pos.	material no		ind.	material
h			date	name		Klappenantrieb Damper actuator 10Nm 20Nm
g			drawn			
f			appr.			
e			scale:			
d			1:2			
c						NMP-SMP-Klemmbock
b						
a						
rev	change note	date	name	similar drawing:	replacement for:	replaced by: