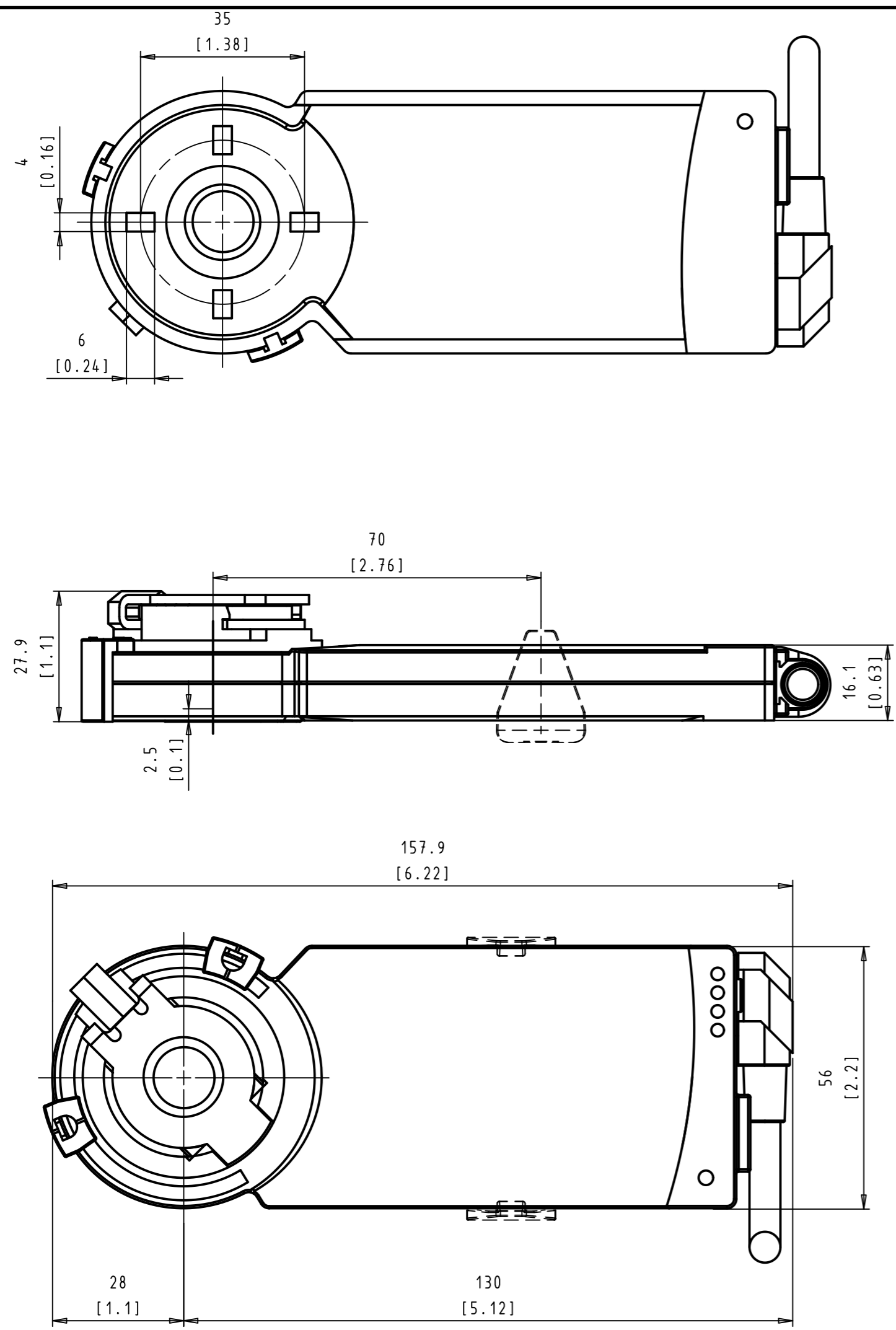


Legal Notice: Any distribution, copying or disclosure of this document or its contents is prohibited, unless expressly authorized. Failure to comply will incur liability for damages. All rights pertaining to patenting or design registration are reserved.

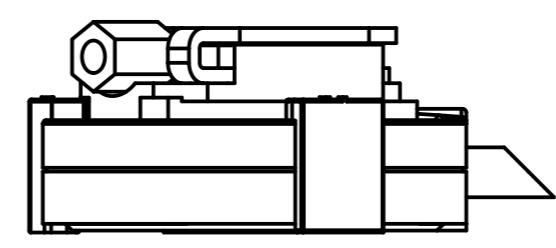
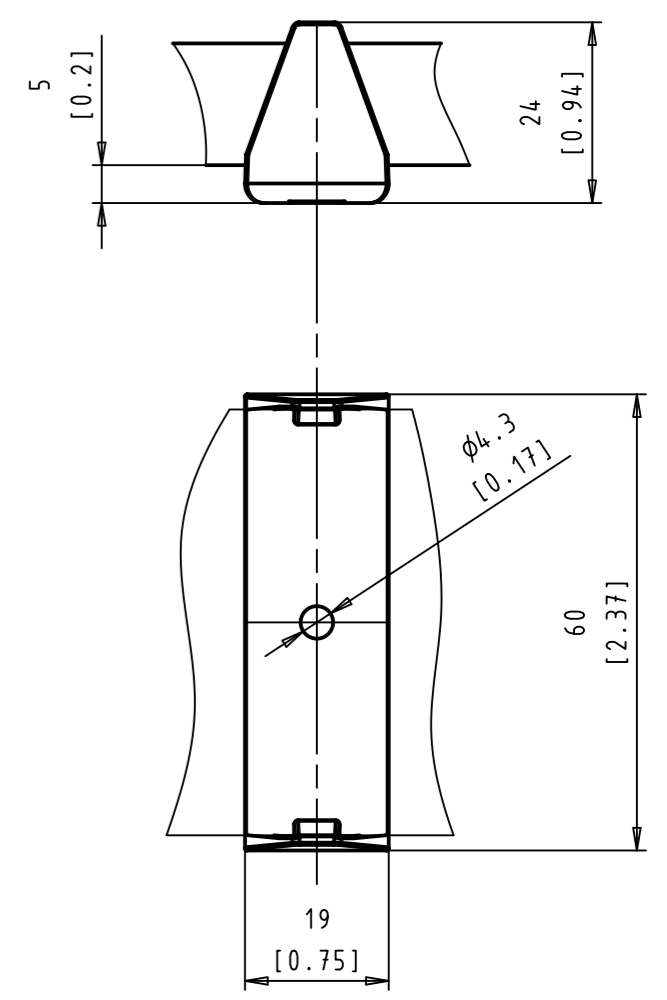
General tolerances in accordance with ISO 2768-m (class medium).

Notes: Dimensions are in Millimeters (mm), 1 inch = 25.4 mm. Drawn according to the first angle projection method.

06.02.2007 12:10 v 0



Verdrehsicherung Clip Z-ARCM
Anti rotation clip Z-ARCM



naming		pos.	material no		ind.	material
h			date	name	Klappenantrieb Damper actuator 2 Nm	
g		drawn	18.01.07	Sy		
f		appr.				
e		scale:	1:1			
d					CM***-K	
c						
b						
a					Index siehe Material Nr	
rev	change note	date	name	similar drawing:	replacement for:	replaced by:

Index siehe Material Nr
index by material no