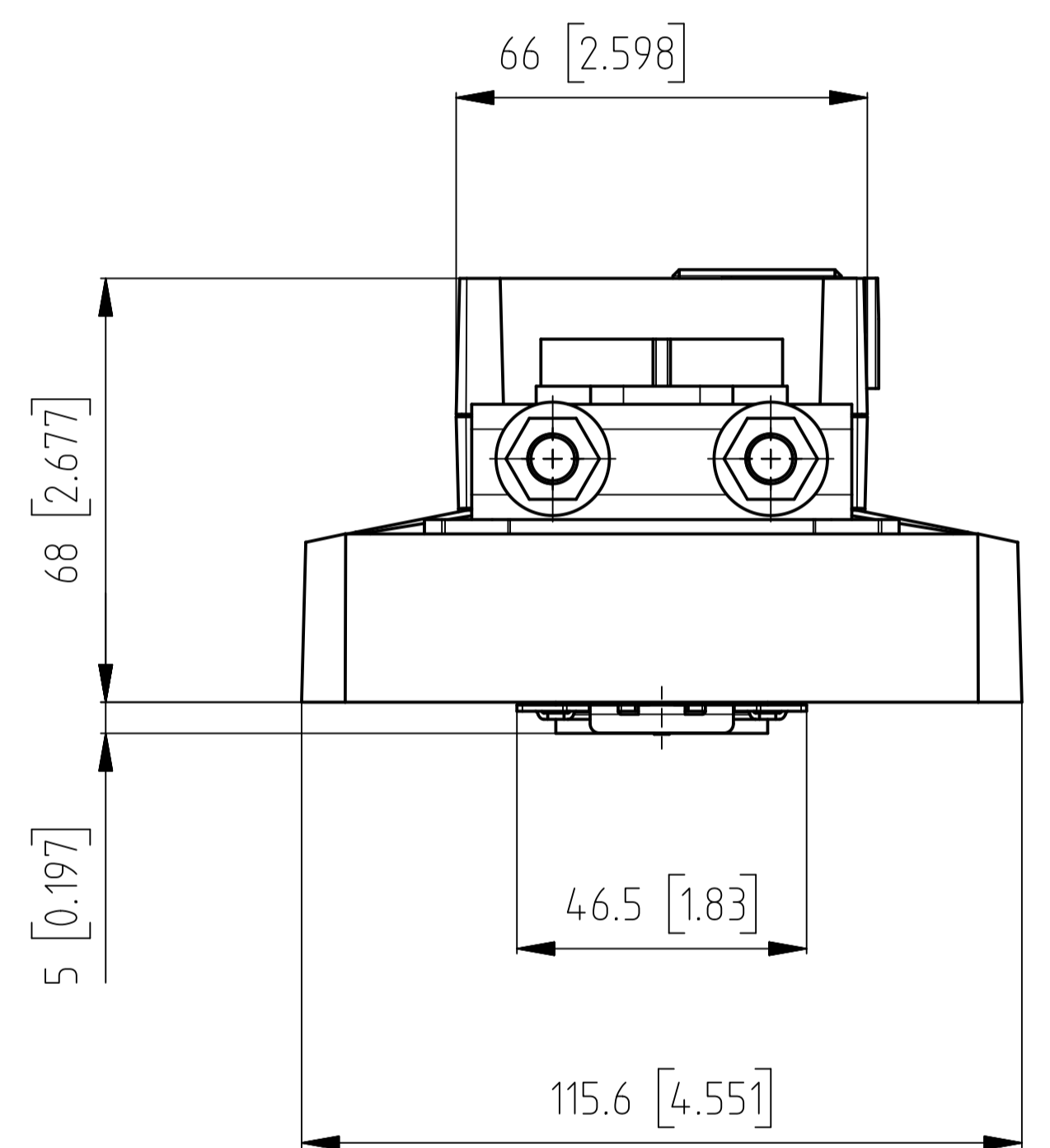
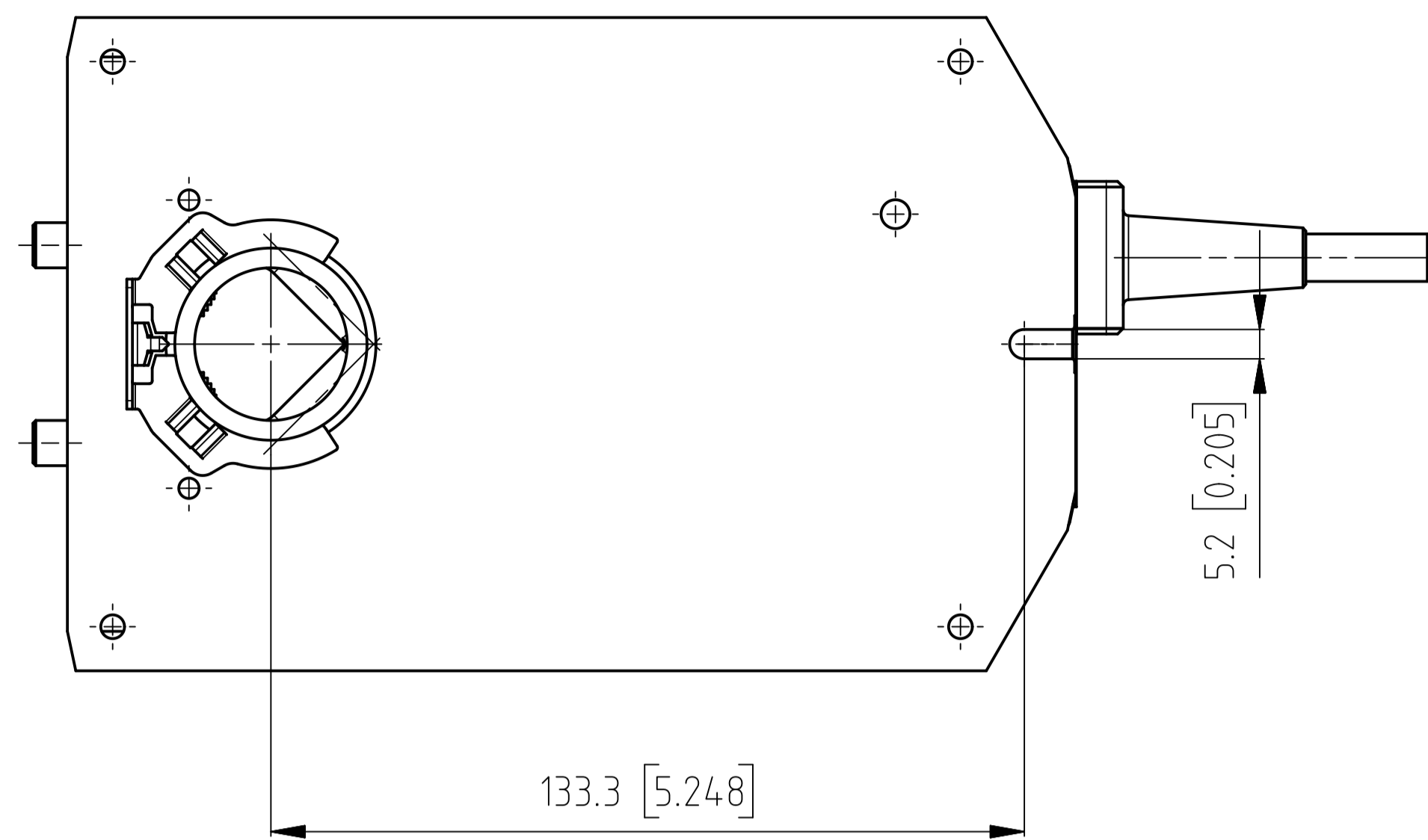
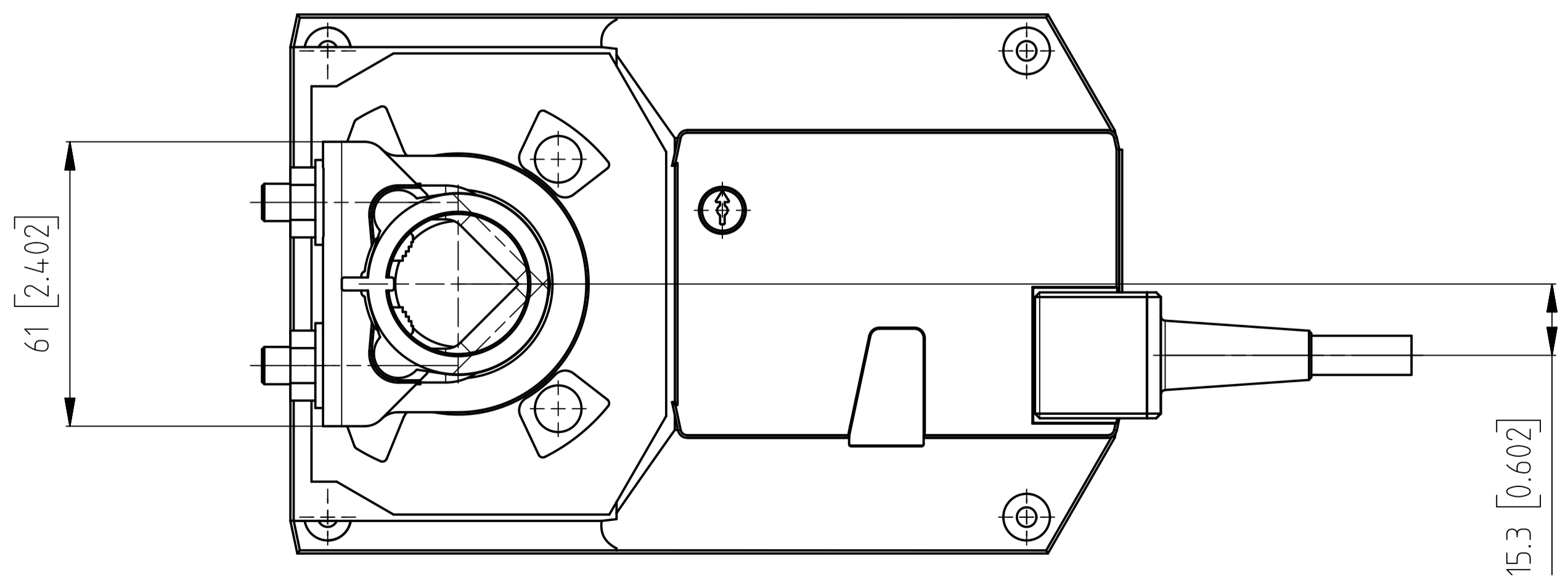
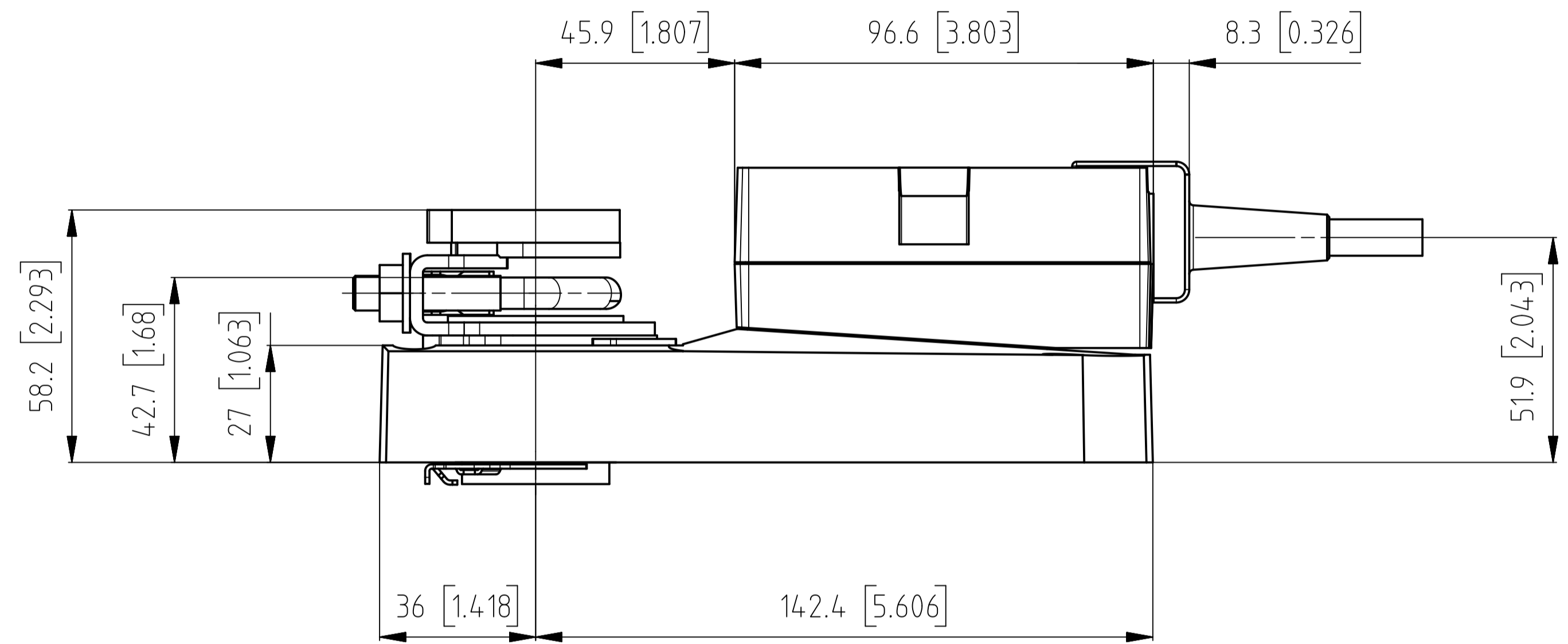
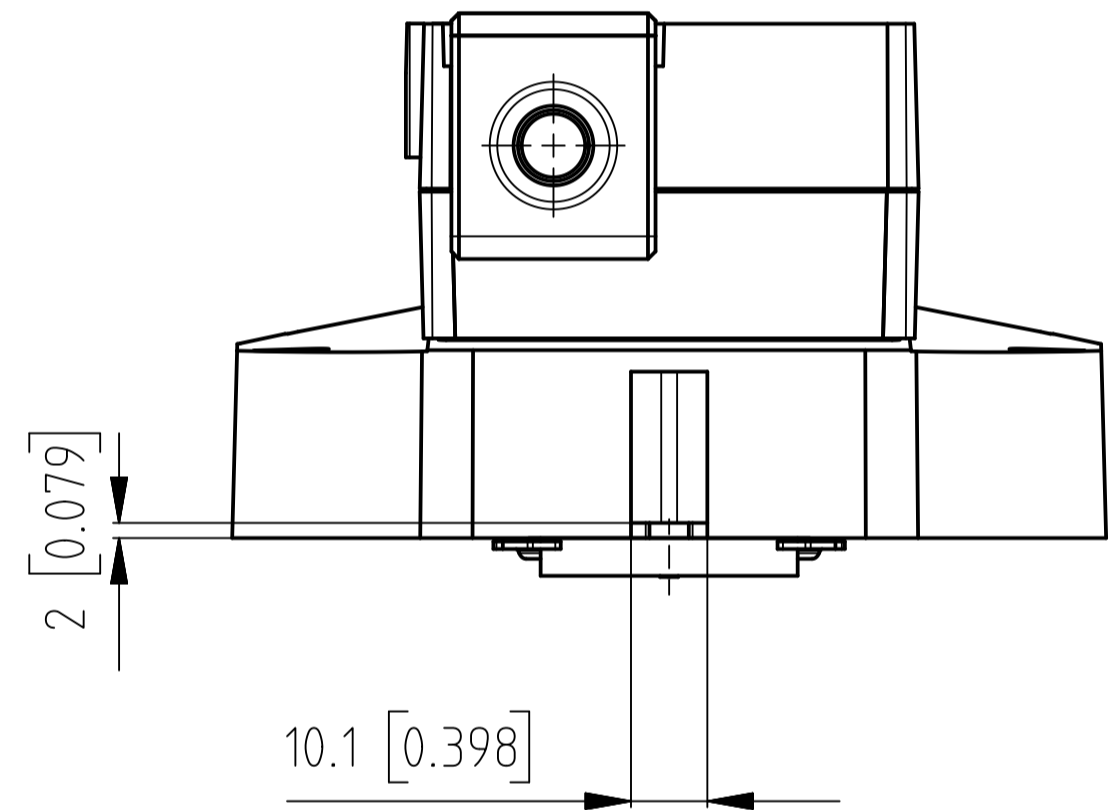


Notes: Dimensions are in millimeters (mm), 1 inch = 25.4 mm, first angle projection method.

General tolerances in accordance with ISO 2768-mK

Legal Notice: Any distribution, copying or disclosure of this document is prohibited without the written permission of the design registration office.



[] = Mass in Zoll / dimension in inches

GM24A
GM24A-MP
GM24A-MF
GM24A-SR
GM230A

Universalklemmbock
universal spindle clamp

Drawn	Date	Name	Document description
Appr.	20.12.2010	GXe	GM A Standard MF MP
Scale:	1:1		
Voll cm³:			Document number
			not released for production
Material specification			Dev.no: ch0015294
			Dev.rev: 004
			No. of sheets: 1
			Sheet no: 1

Inspection agreement with supplier
 See inspection agreement
 No inspection agreement necessary

