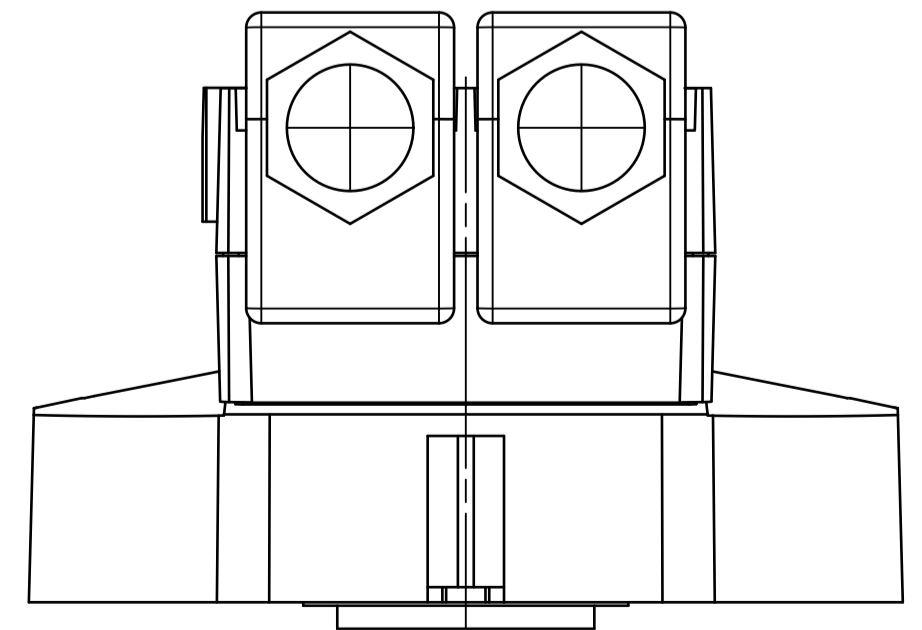


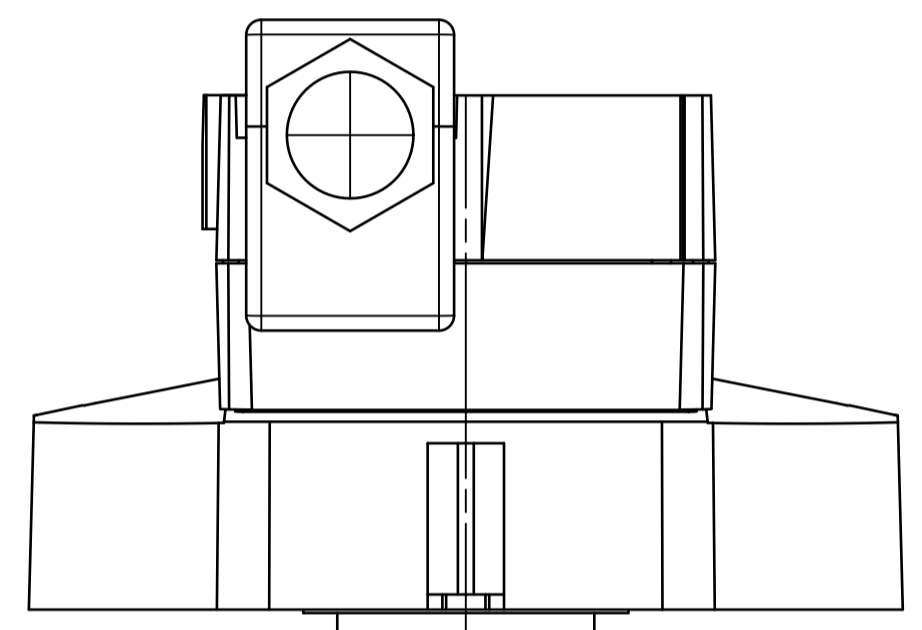
Notes: Dimensions are in Millimeters (mm). 1 inch = 25.4 mm. Drawn according to the first angle projection method.
 28.08.2005 09:10 J.S. CAD FILE PROJECTION: ME1002.

General tolerances in accordance with ISO 2768-m (class medium).

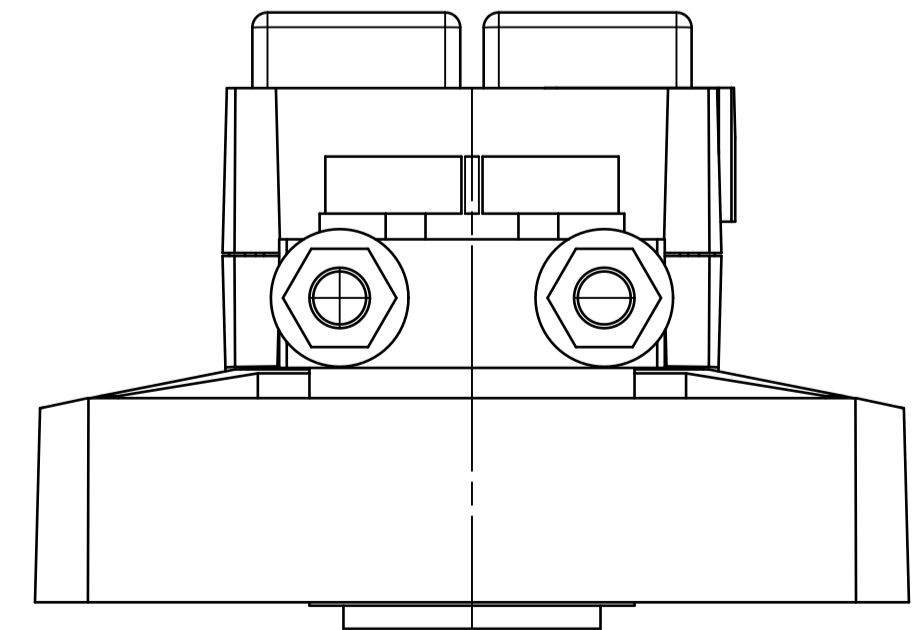
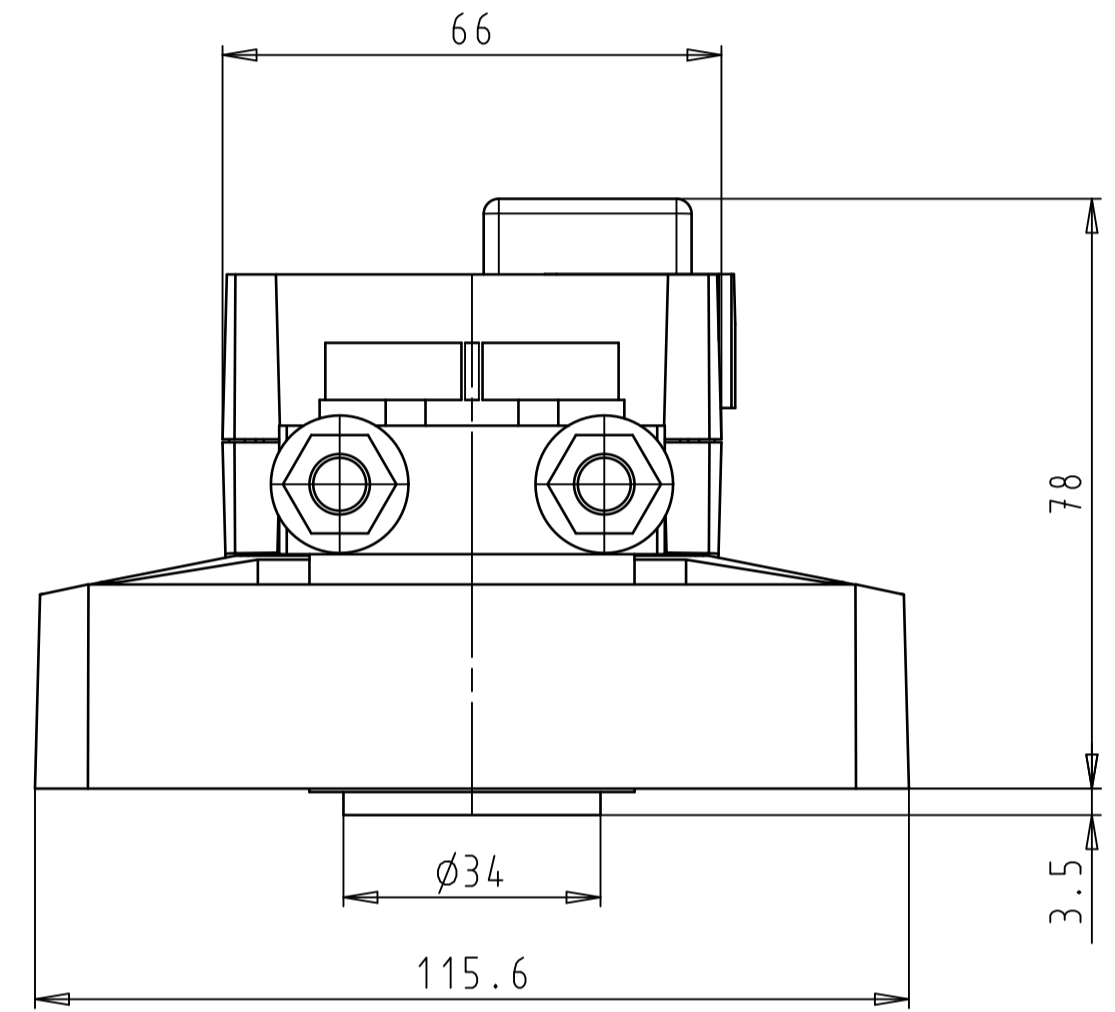
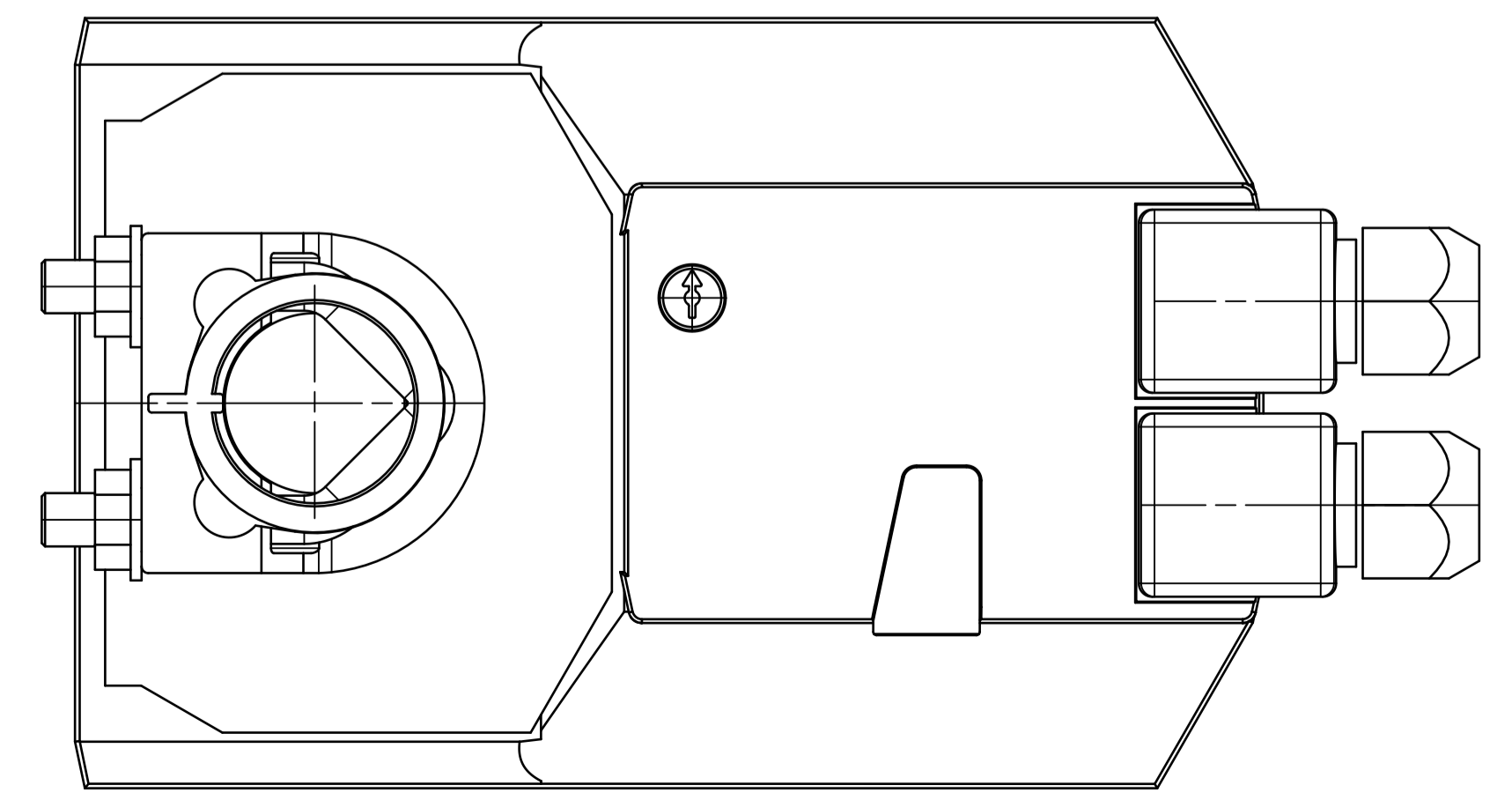
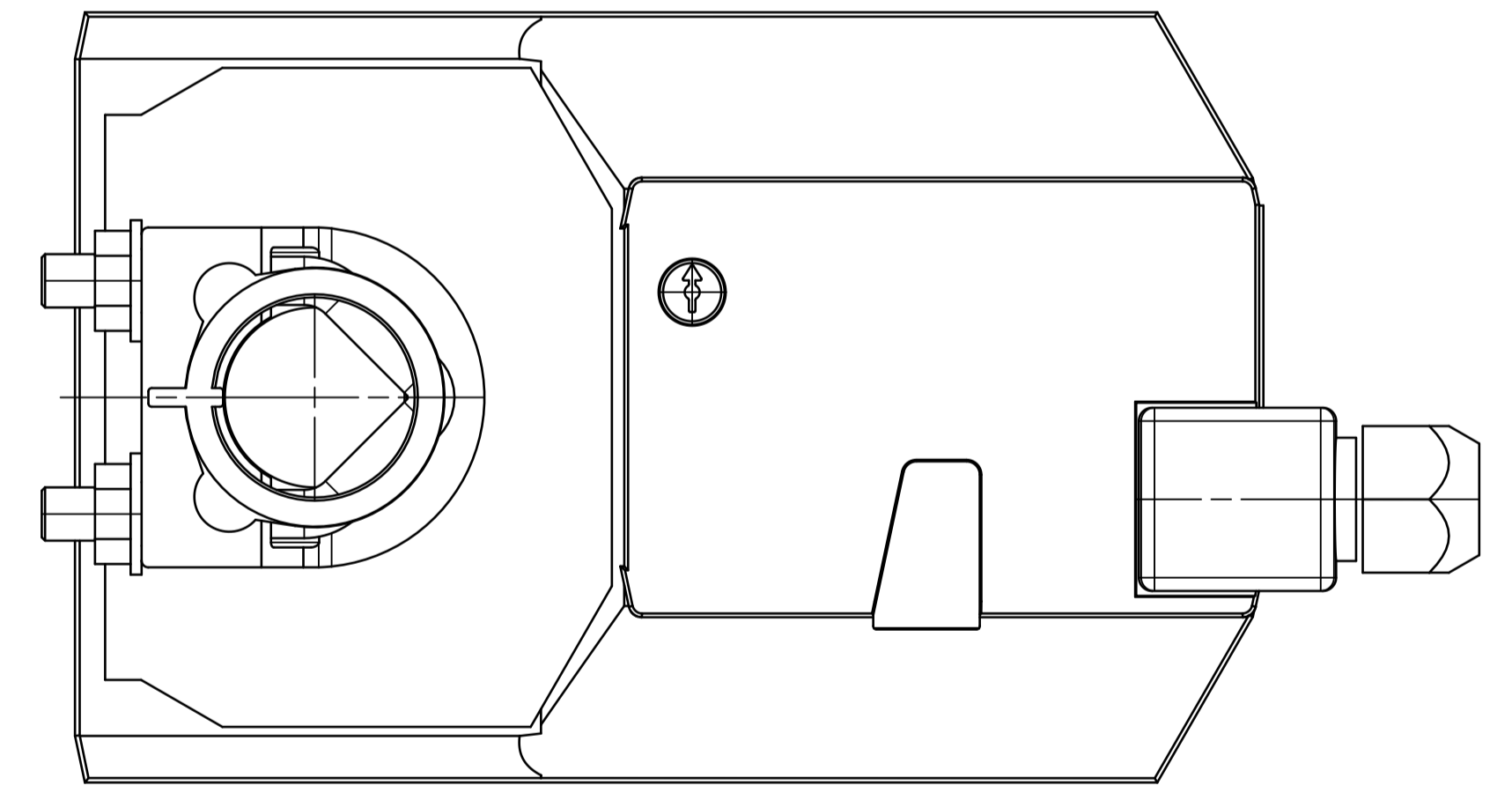
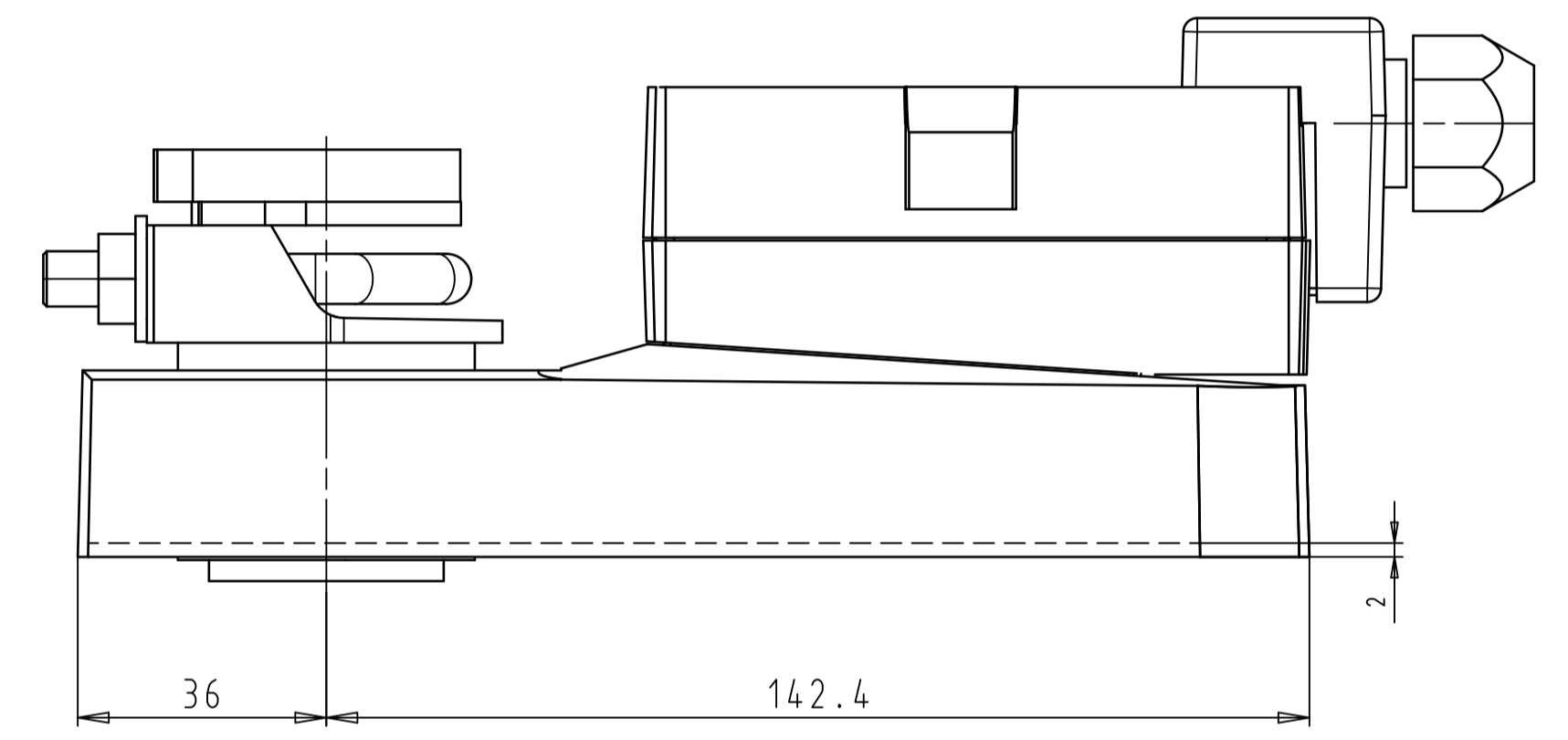
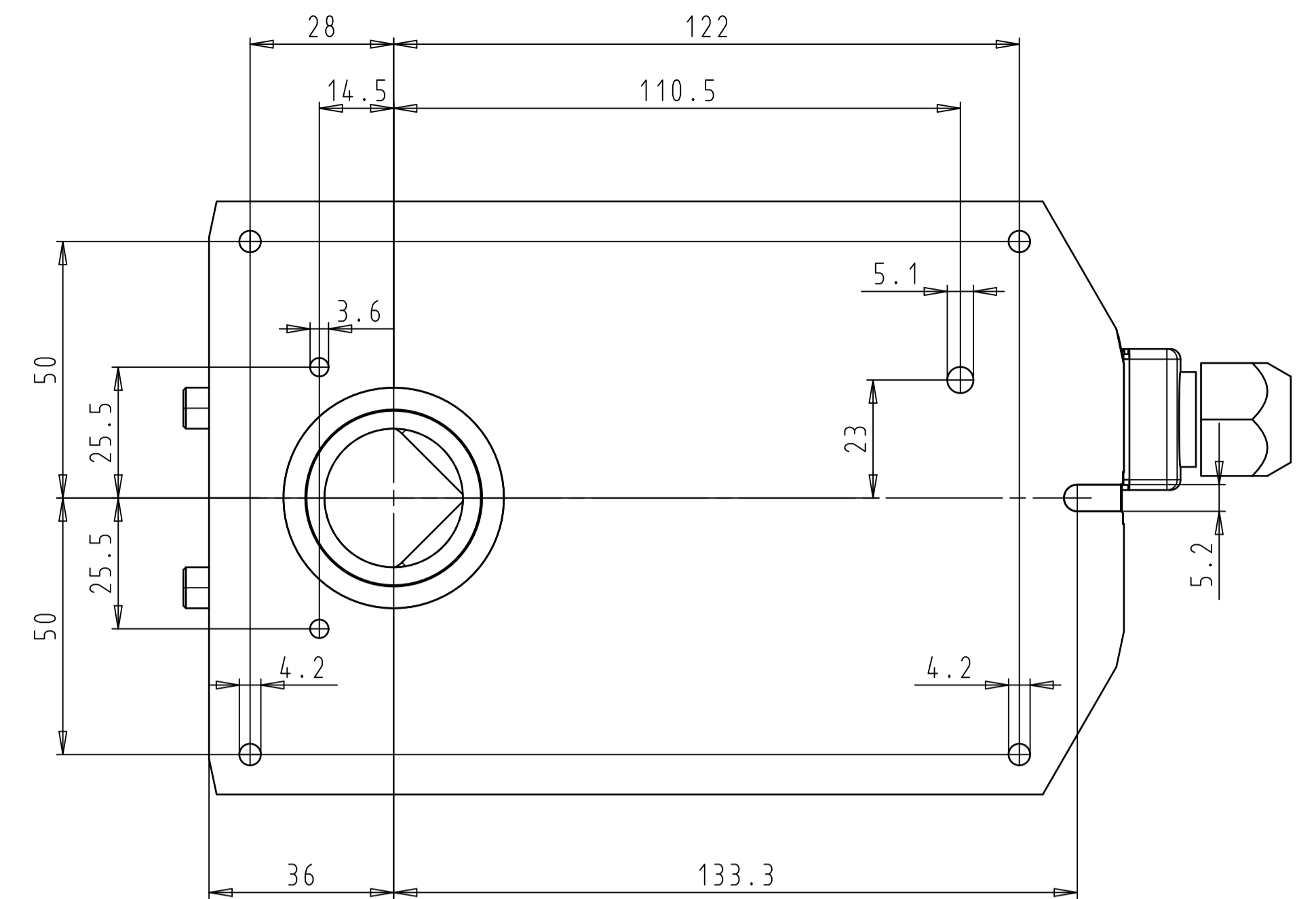
Legal Notice: Any distribution, copying or disclosure of this document is prohibited without the express written authorization of BELIMO. Failure to comply with these conditions may result in legal action. All rights reserved. Copying or design registration are restricted.



GM24A-S T2...
 GM24AP5 TD...
 GM230A-S T6...



GM24A TO...
 GM24A-SR T4...
 GM230A T6...



Universalklemmbock
 universal spindle clamp
 Klemmenanschluss IP54
 terminal plug IP54

naming		pos.	material no	ind.	material
h		date	name	Klappenantrieb	
g		drawn	21.04.05	GXe	Damper actuator
f		appr.			
e		scale:	1:1		40Nm
d					
c					
b					
a					
rev	change	date	name	similar drawing:	replaced by:
	note			replacement for:	



GM_A_standard_terminal