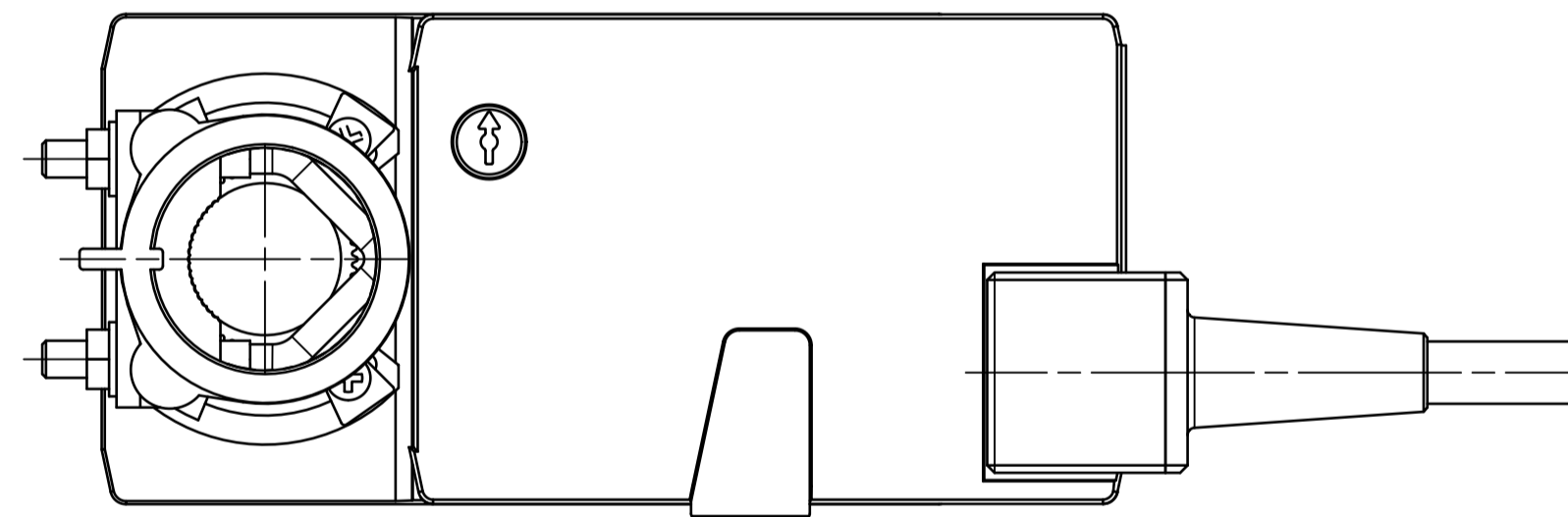
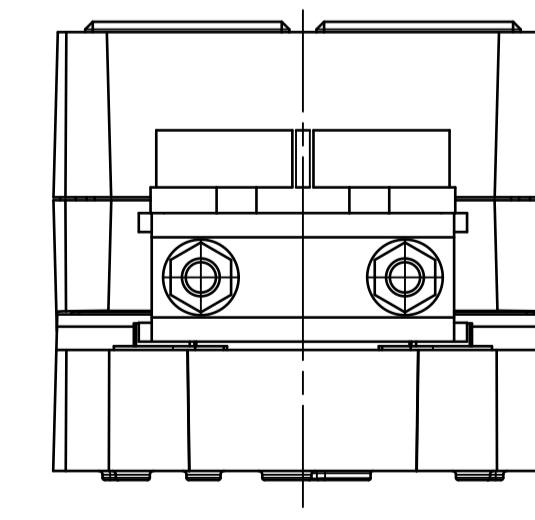
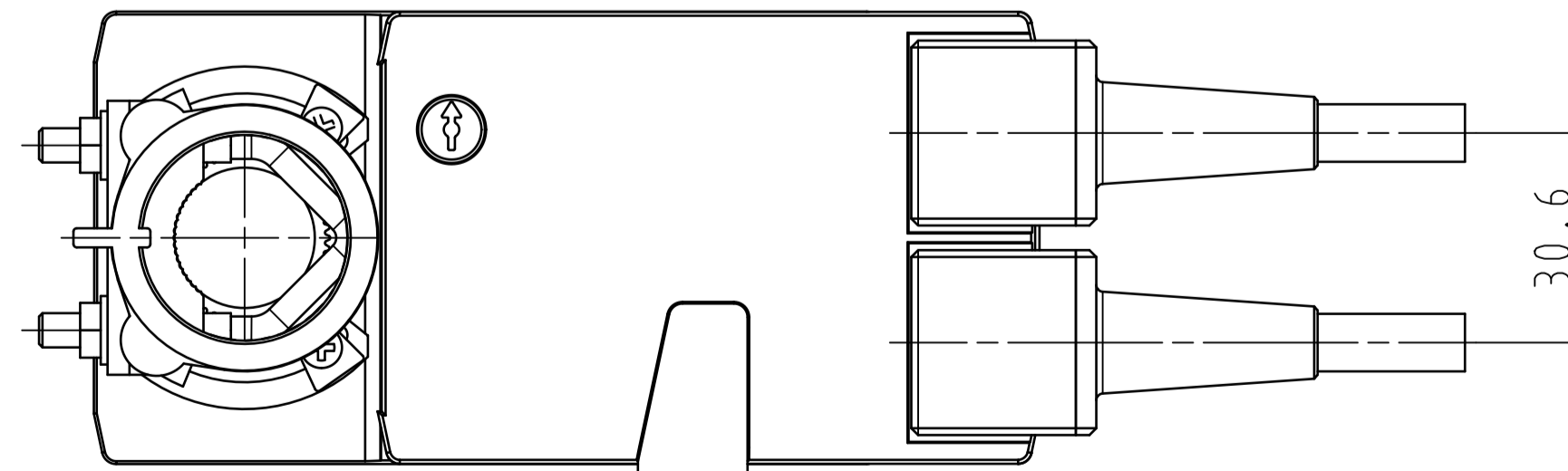


LM24A-MF



LM24A-MP
LM230ASR



Universalklemmbock
universal spindle clamp

naming		pos.	material no		ind.	material
h			date	name		Klappenantrieb
g			drawn 29.03.05	GXe		Damper actuator
f			appr.			5 Nm
e			scale:			
d			1:1			
c						
b						
a						
rev	change	date	name	similar drawing:	replacement for:	replaced by:
	note					



LM_A_230ASR_MF_MP

Notes: Dimensions are in Millimeters (mm). 1 inch = 25.4 mm. Drawn according to the first angle projection method.
11.08.2005 09:13:19 CAD: PROJEKTION.ME1002

General tolerances in accordance with ISO 2768-m (class medium).

Legal Notice: Any distribution, copying or disclosure of this document is prohibited without the express written authorization of the manufacturer. Failure to comply with these conditions may result in legal action. All rights reserved. Copying or design registration are restricted.