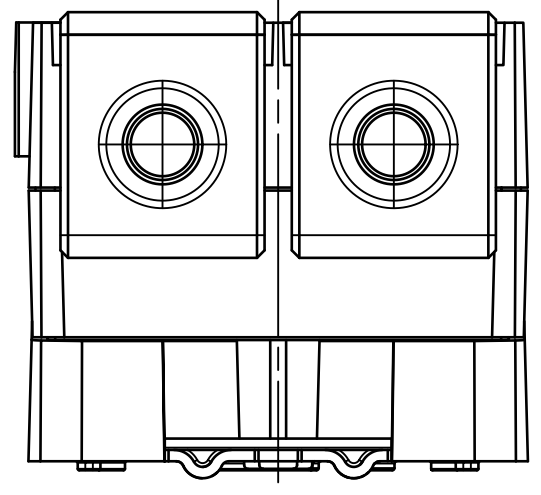


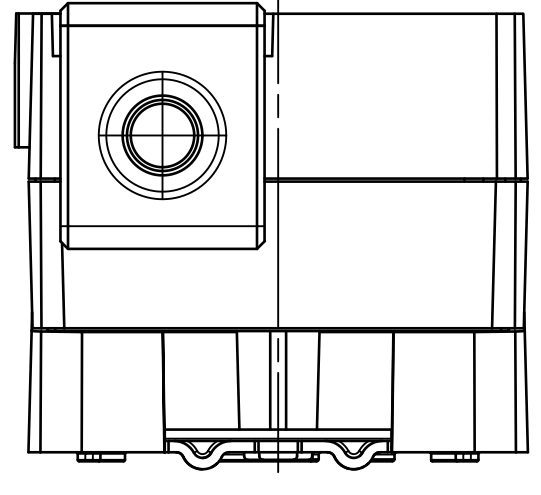
Notes: Dimensions are in Millimeters (mm). 1 inch = 25.4 mm. Drawn according to the first angle projection method.  
 16.01.2007 13:27:8 CAD FILE PROJECTION: ME 1002.

General tolerances in accordance with ISO 2768-m (class medium).

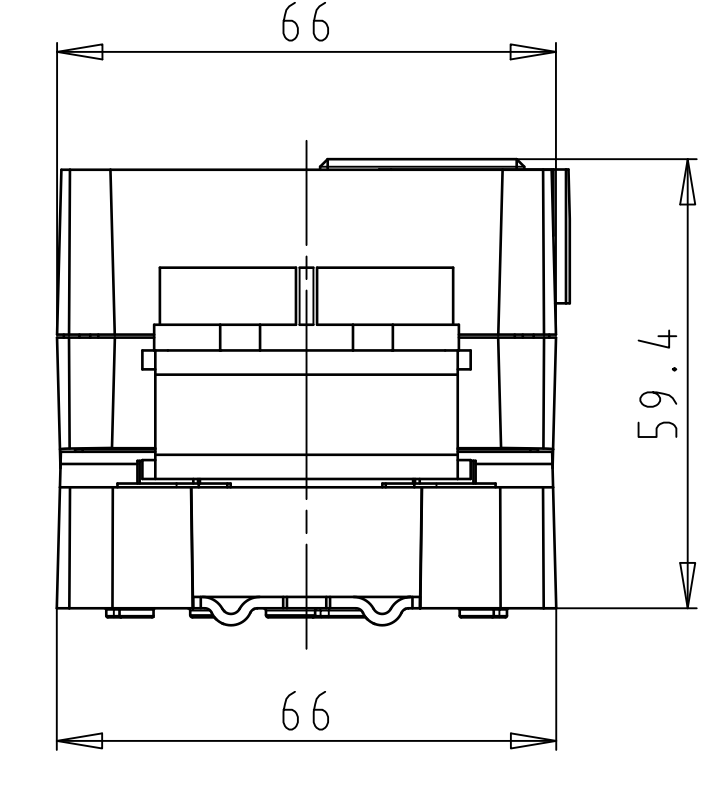
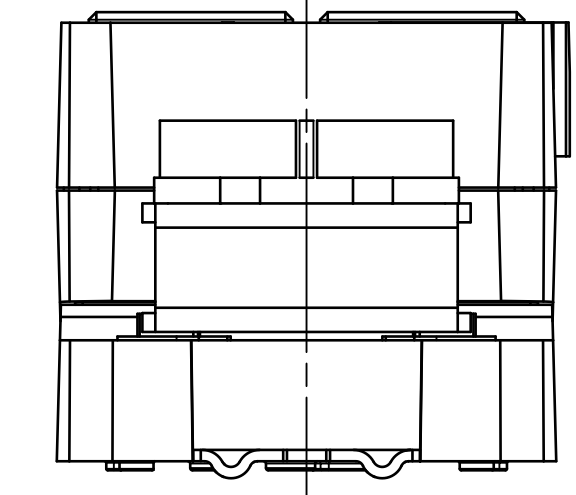
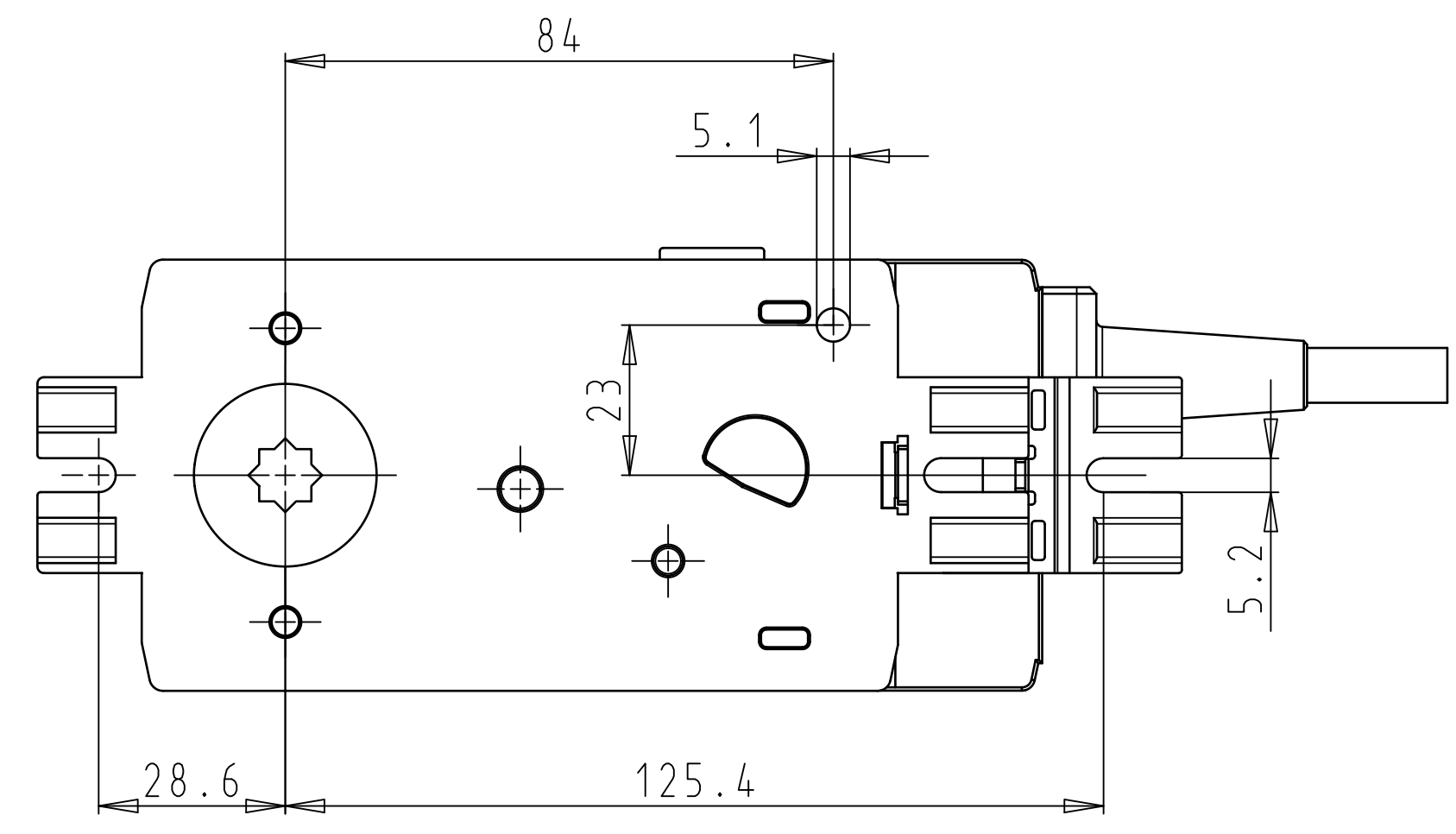
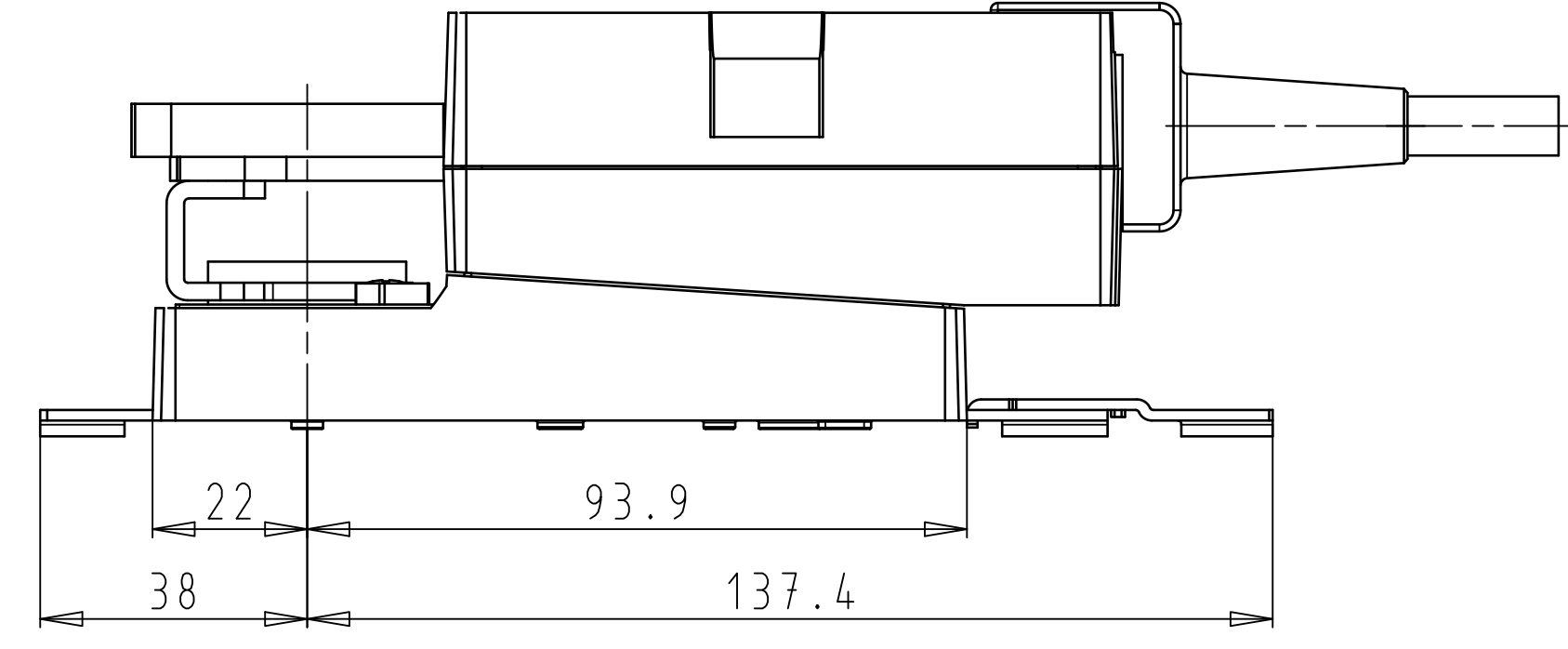
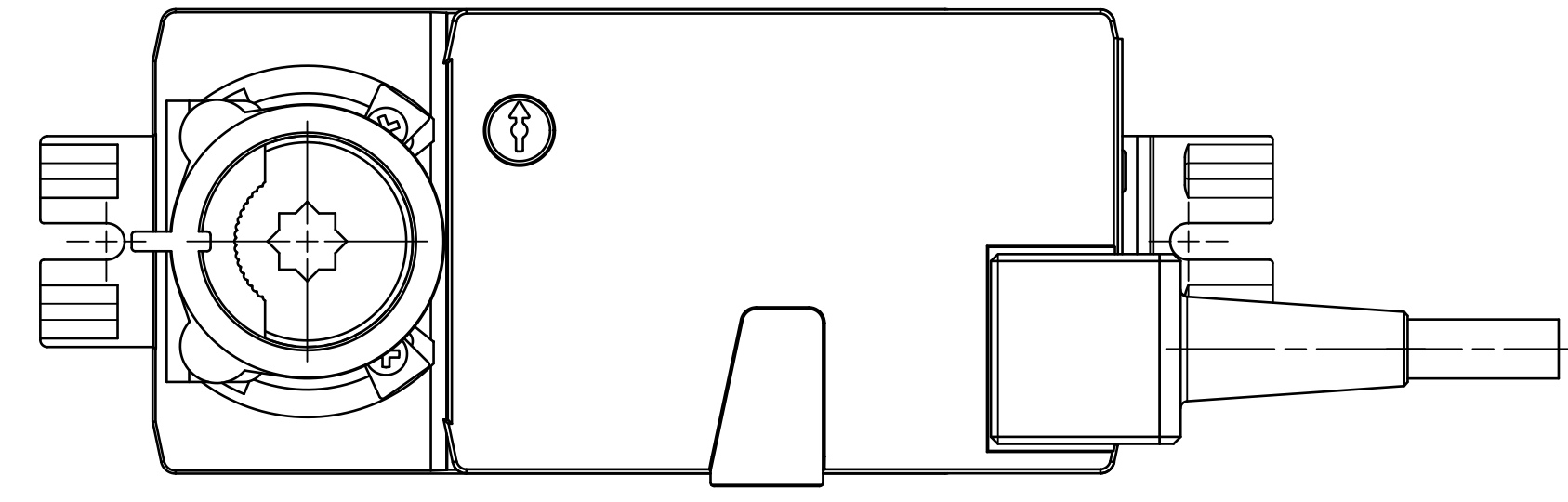
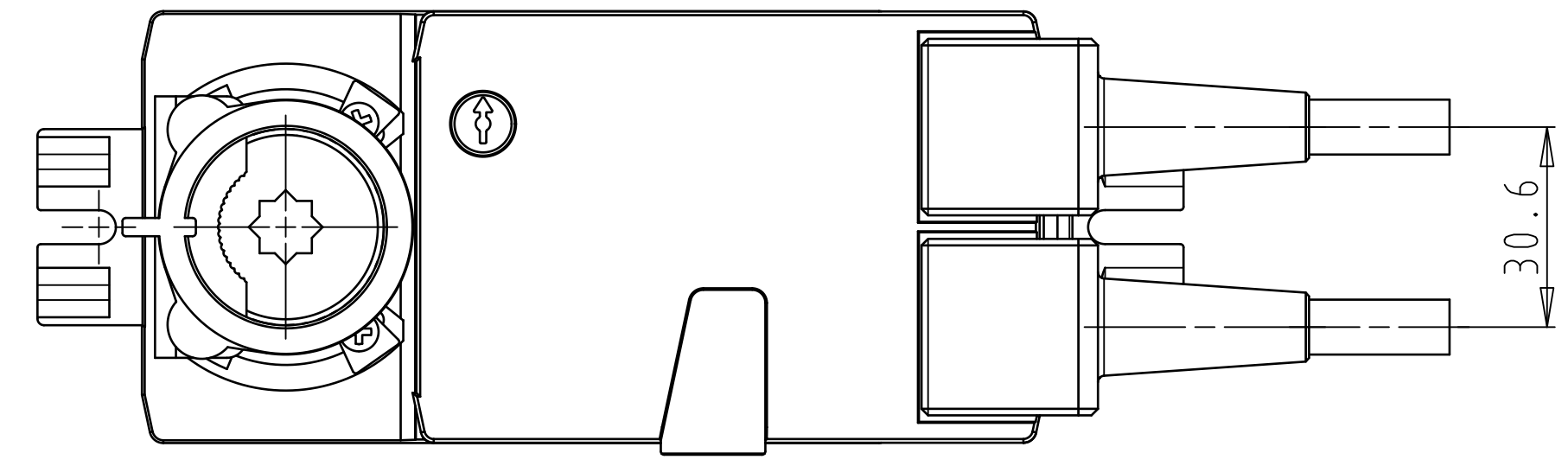
Legal Notice: Any distribution, copying or disclosure of this document is prohibited. Failure to comply will incur legal action. All rights reserved. Copying or design registration are restricted.



LM24A-MP  
LM230ASR 46...



LM24A-MF



Formschlussversion / Festmontage  
form-fit version / fix-mounting

naming		pos.	material no		ind.	material
h			date	name		Klappenantrieb Damper actuator 5Nm
g			29.03.05	GXe		
f			appr.			
e			scale:			
d			1:1			
c						
b						
a		16.01.07	GXe	<b>BELIMO</b>		LM_A_form-fit_230ASR_MF_MP
rev	change	date	name	similar drawing:	replacement for:	replaced by:
note						