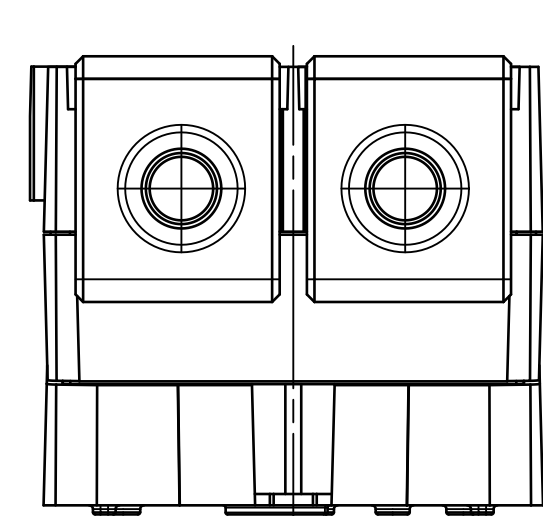


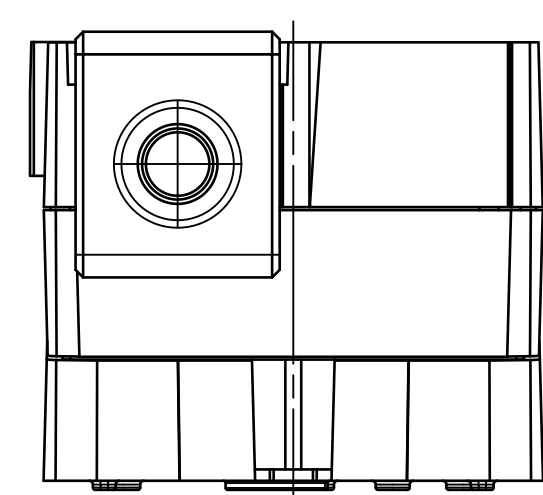
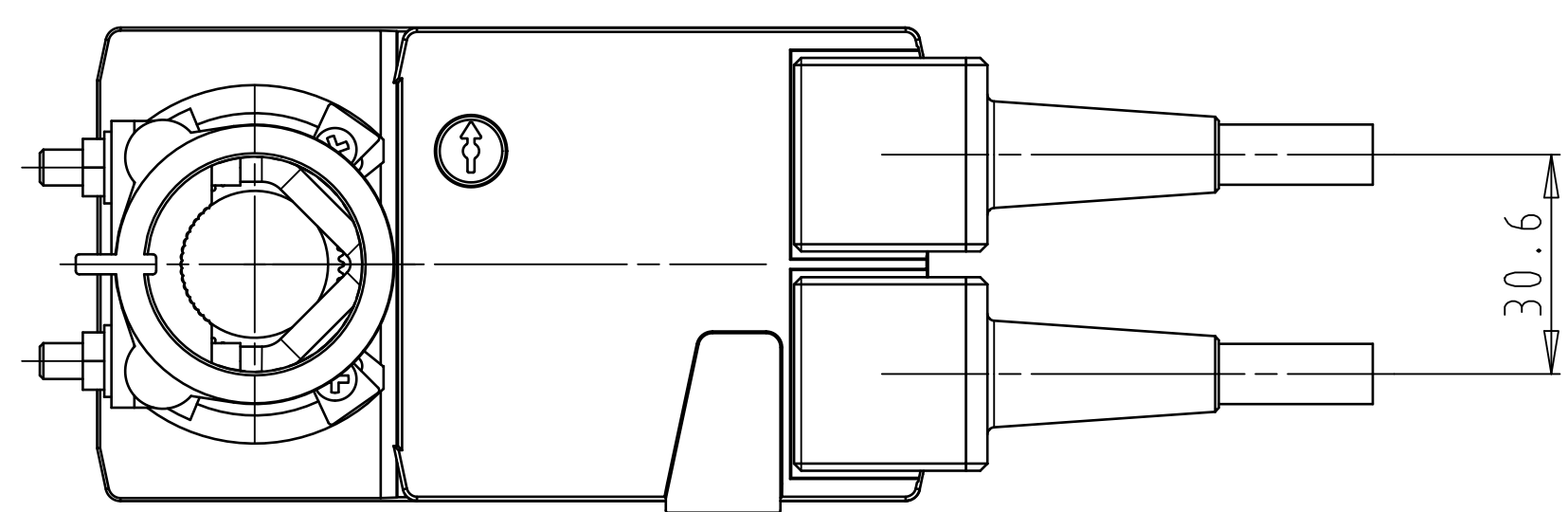
Notes: Dimensions are in Millimeters (mm). 1 inch = 25.4 mm. Drawn according to the first angle projection method.
 11.08.2005 09:17:6 CAD: PROJEKTION.ME100Z

General tolerances in accordance with ISO 2768-m (class medium).

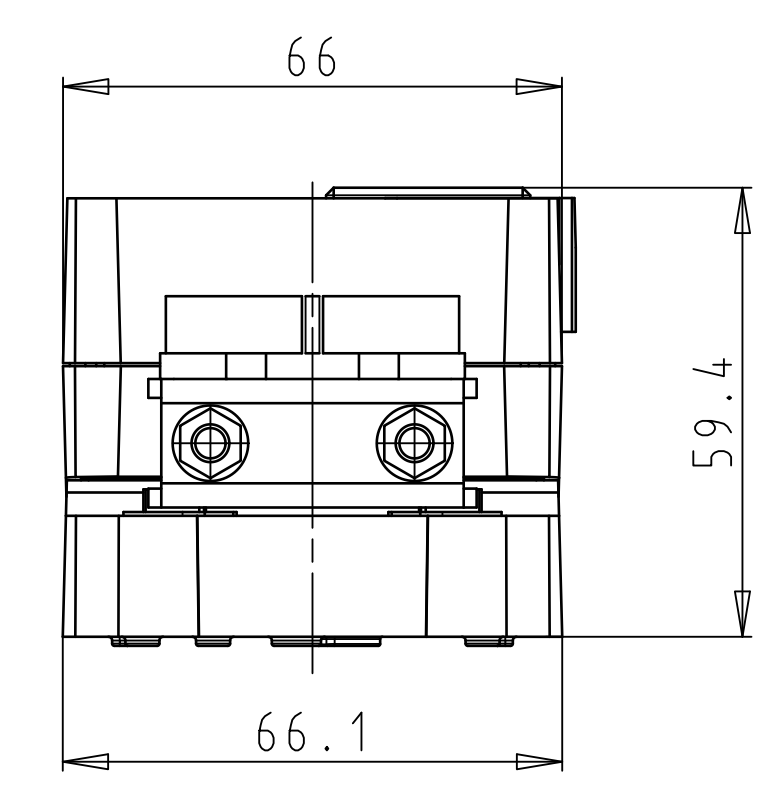
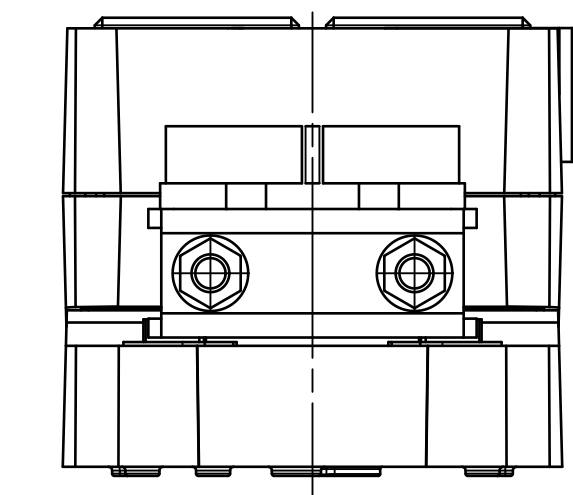
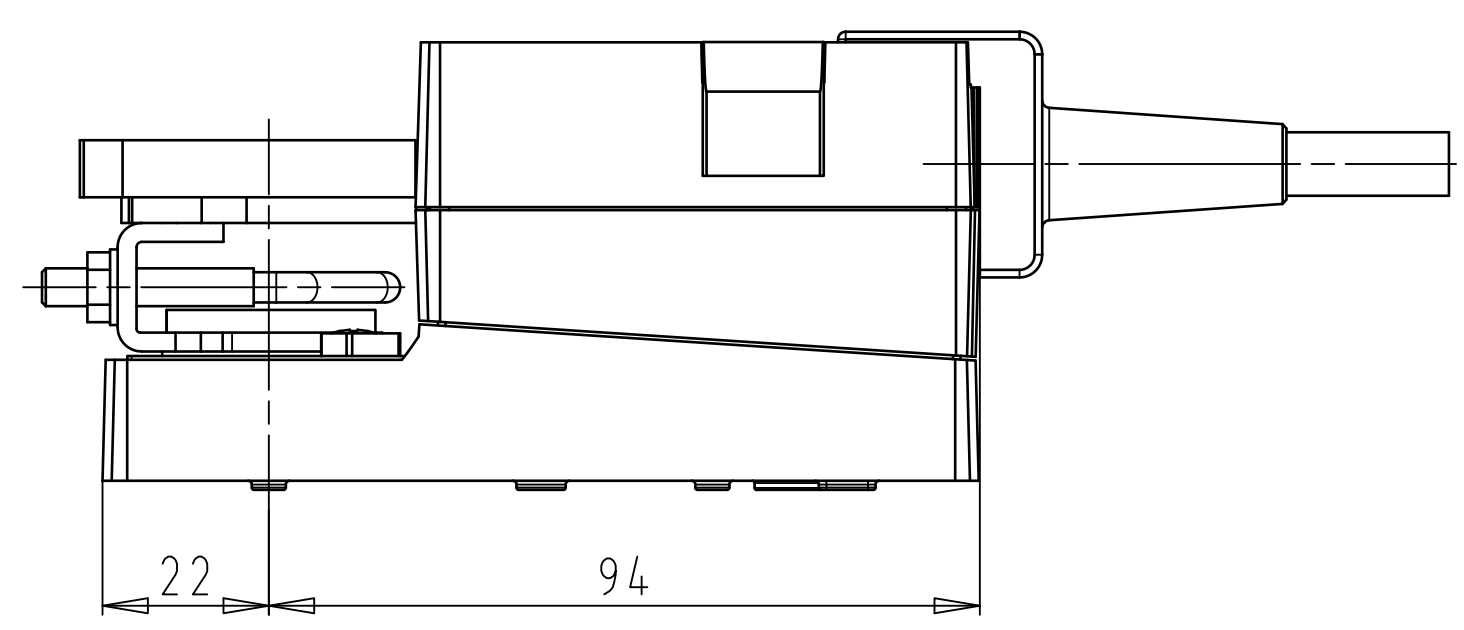
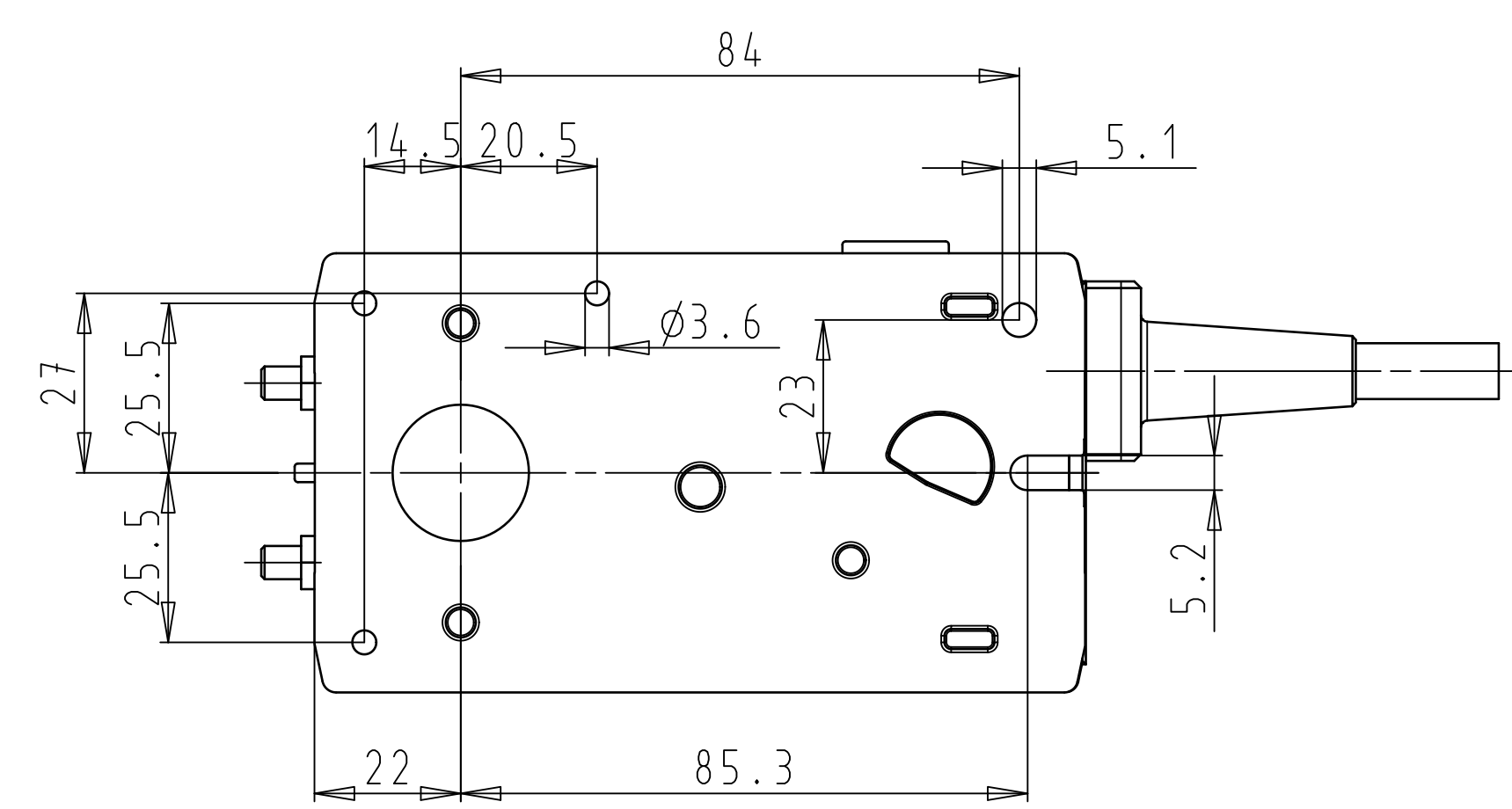
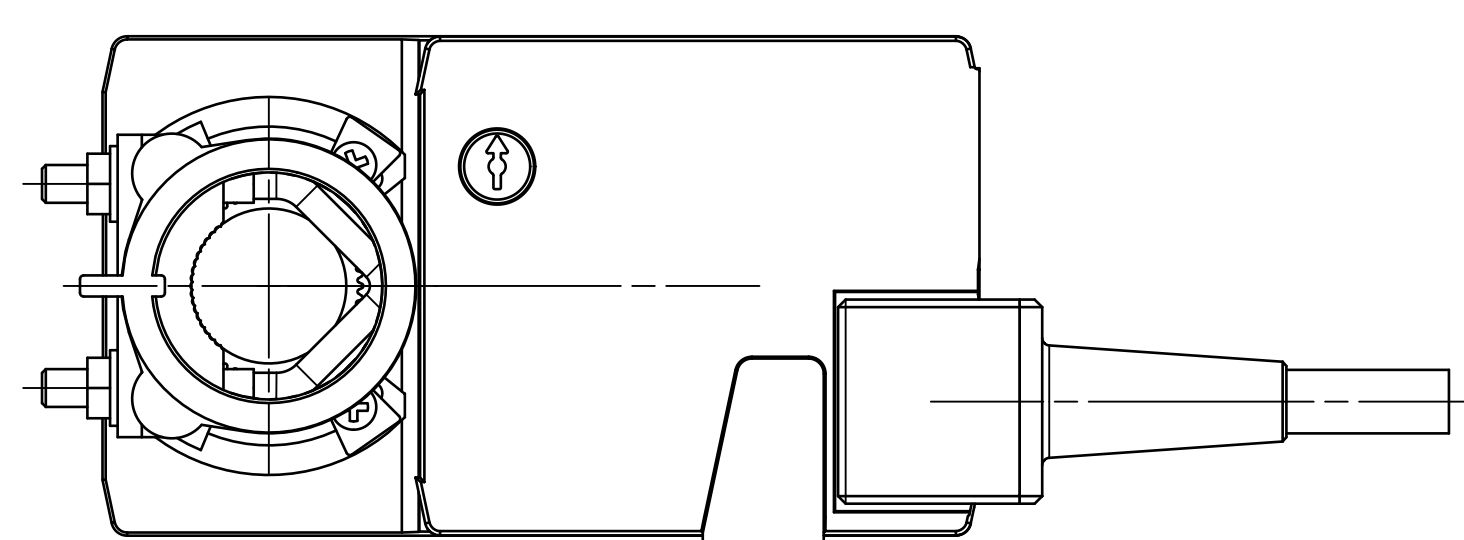
Legal Notice: Any distribution, copying or disclosure of this document is prohibited. Failure to comply with these conditions may result in legal action. Copying or design registration are restricted.



LM24A-S
 LM24AP5
 LM230A-S

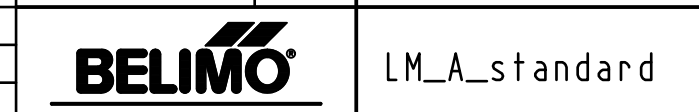


LM24A
 LM24A-SR
 LM230A



Universalklemmbock
 universal spindle clamp

naming		pos.	material no	ind.	material
h			date	name	Klappenantrieb Damper actuator 5 Nm
g		drawn	29.03.05	GXe	
f		appr.			
e			scale:	1:1	
d					
c					
b					
a					
rev	change note	date	name	similar drawing:	replaced by:



LM_A_standard