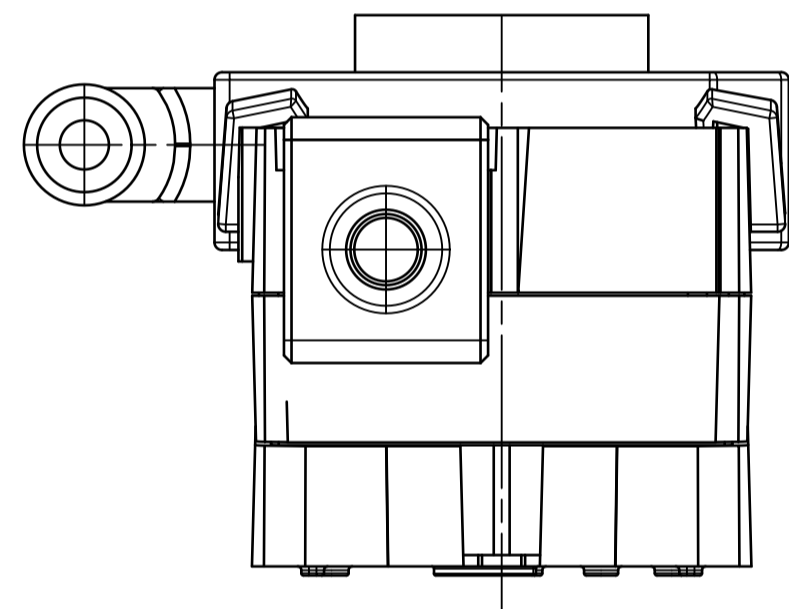


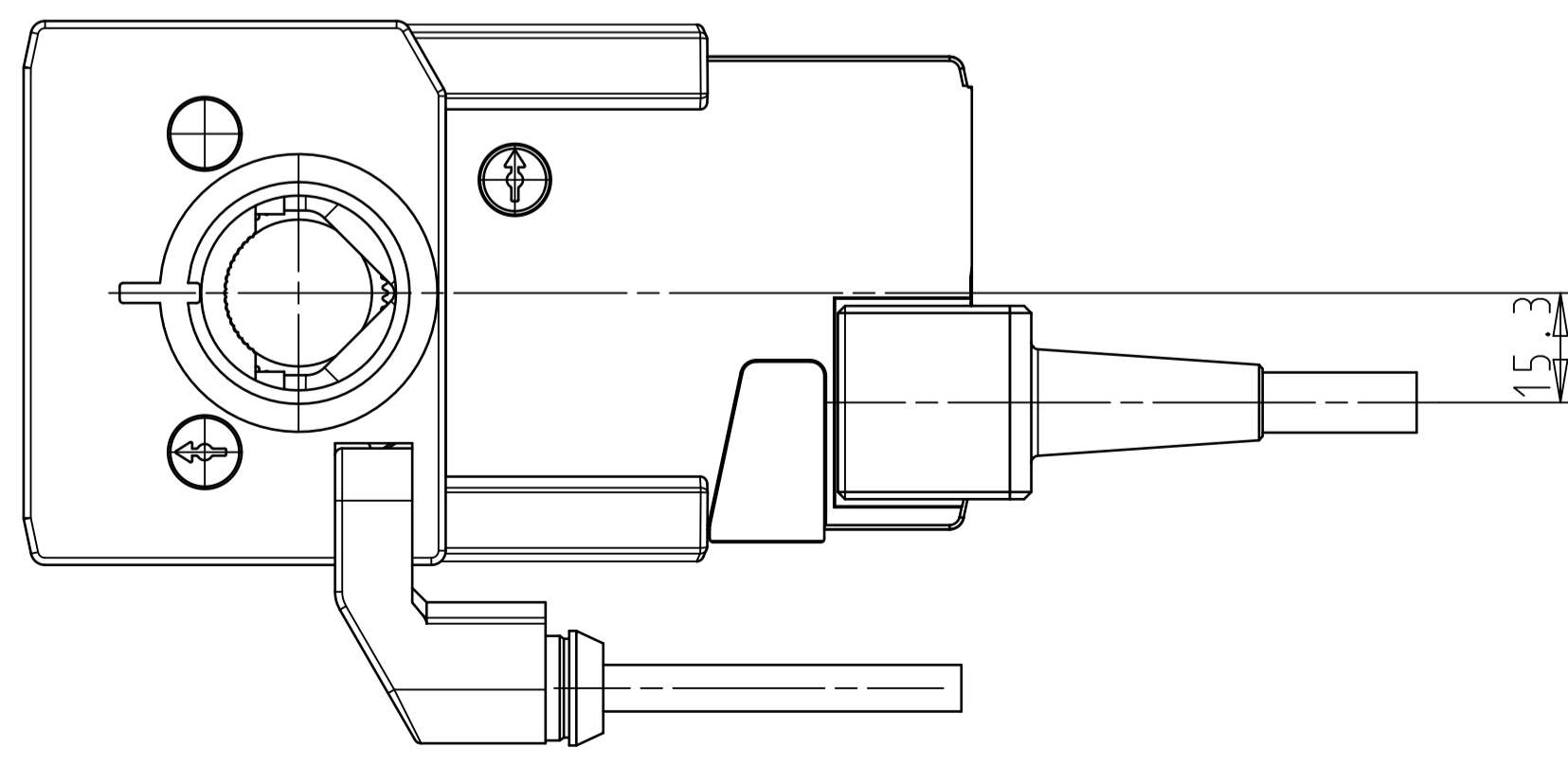
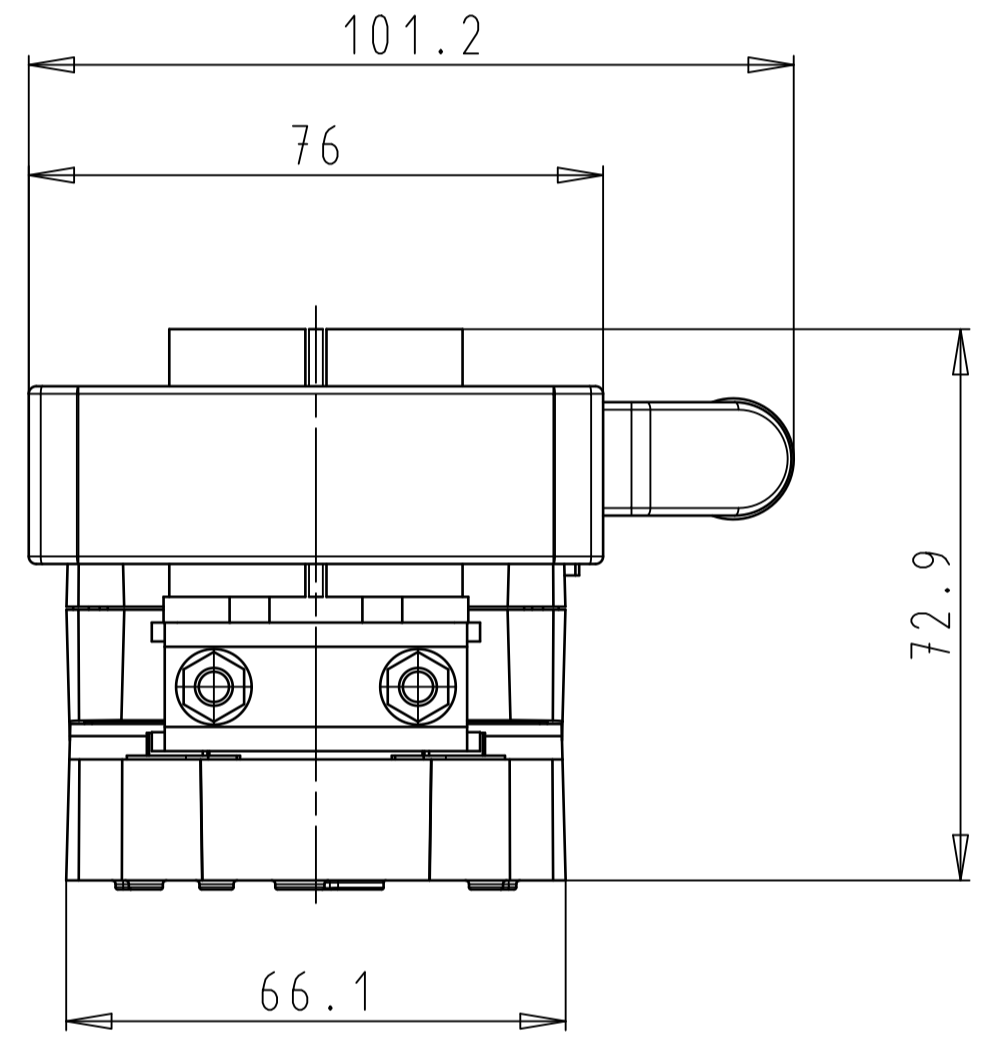
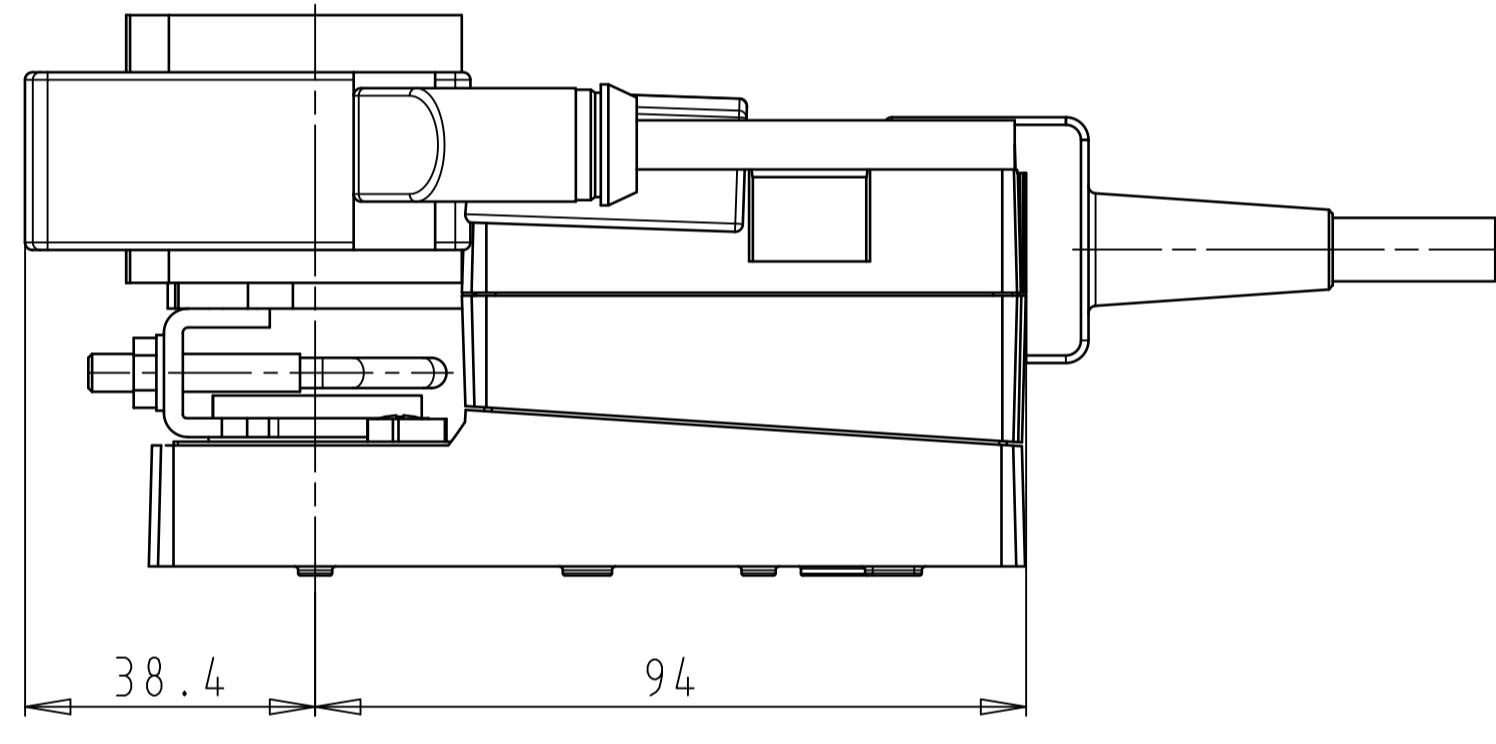
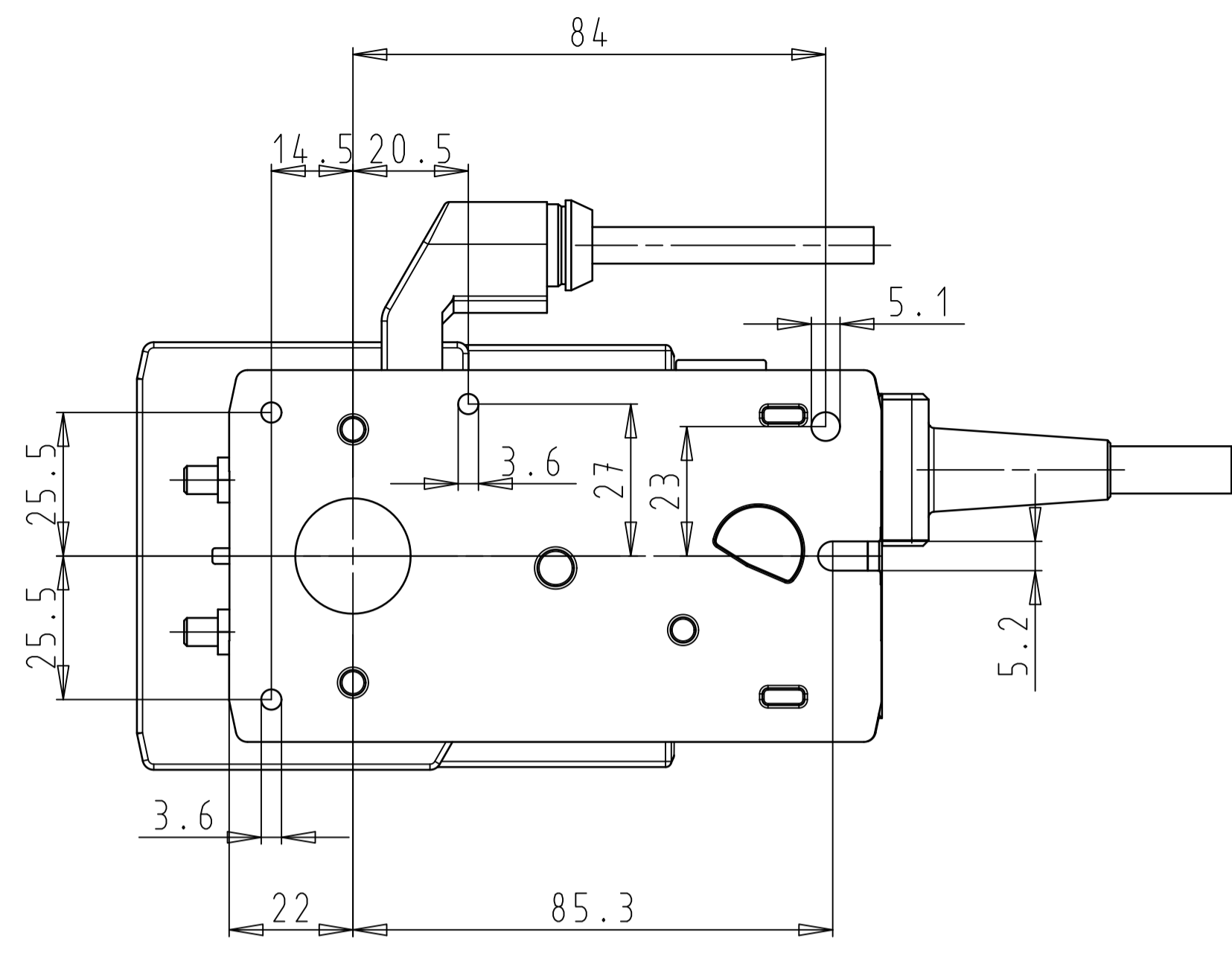
Legal Notice: Any distribution, copying or disclosure
without the written permission of BELIMO is
expressly prohibited. Failure to comply with these
conditions may result in legal action. In print-
ing or design registration are restricted.

General tolerances in accordance
with ISO 2768-m (class medium).

Notes: Dimensions are in Millimeters
(mm). 1 inch = 25.4 mm first
angle projection method.
11.08.2005 09:16 v.7



LM...A S1A
LM...A S2A
LM...A P140A - P1000A



Universalklemmbock
universal spindle clamp

Hilfsschalter / Rückführpotentiometer aufsteckbar
auxiliary switch / feedback potentiometer add-on

naming		pos.	material no		ind.	material
h			date	name		Klappenantrieb
g			drawn 29.03.05	GXe		Damper actuator
f			appr.			5 Nm
e			scale:			
d			1:1			
c						
b						
a						
rev		change	date	name	similar drawing:	replaced by:
note						replaced by:



LM_A_standard_S_A