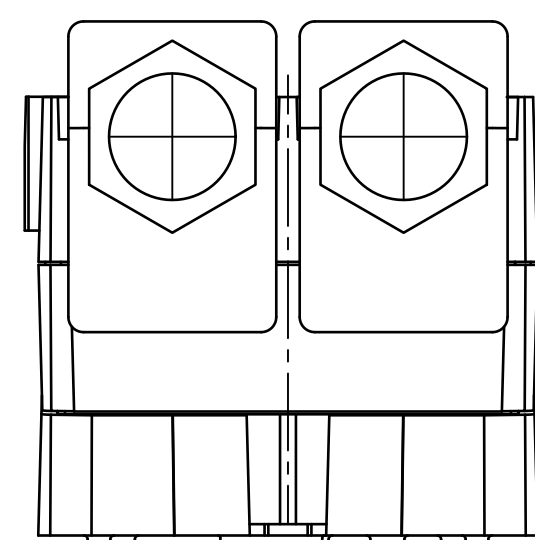
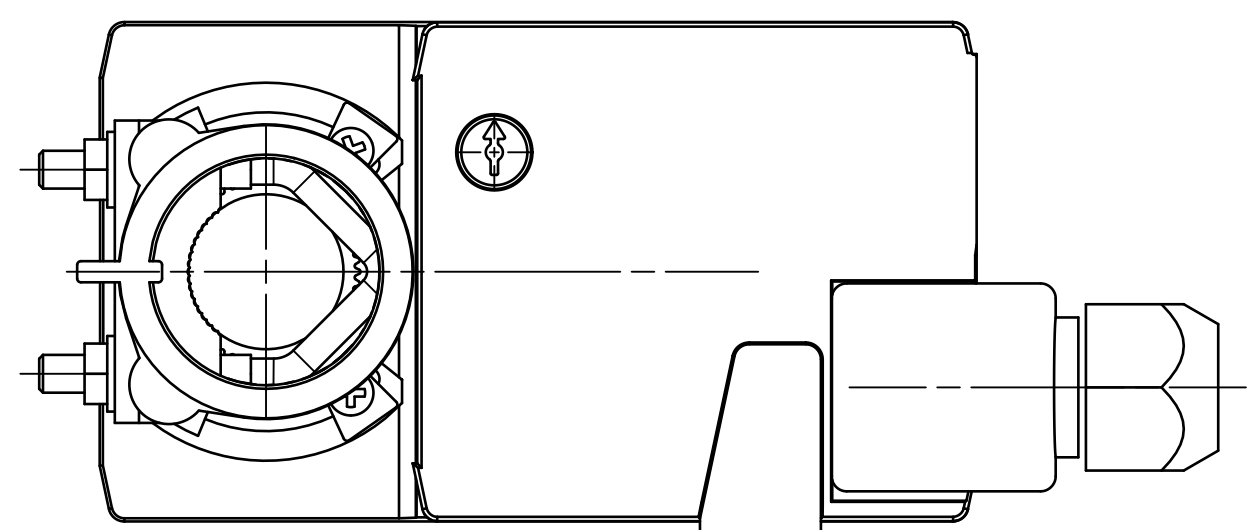
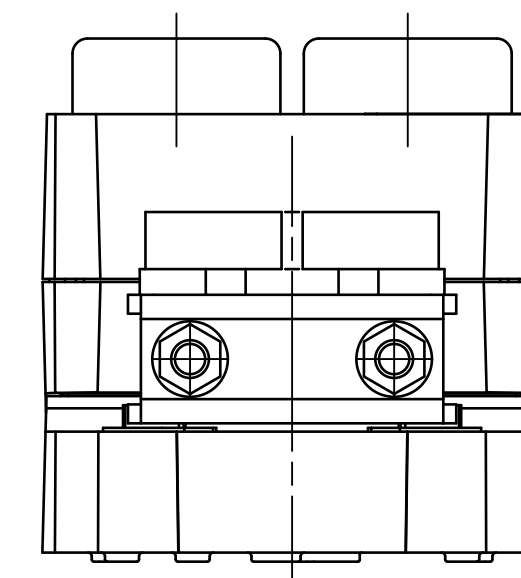
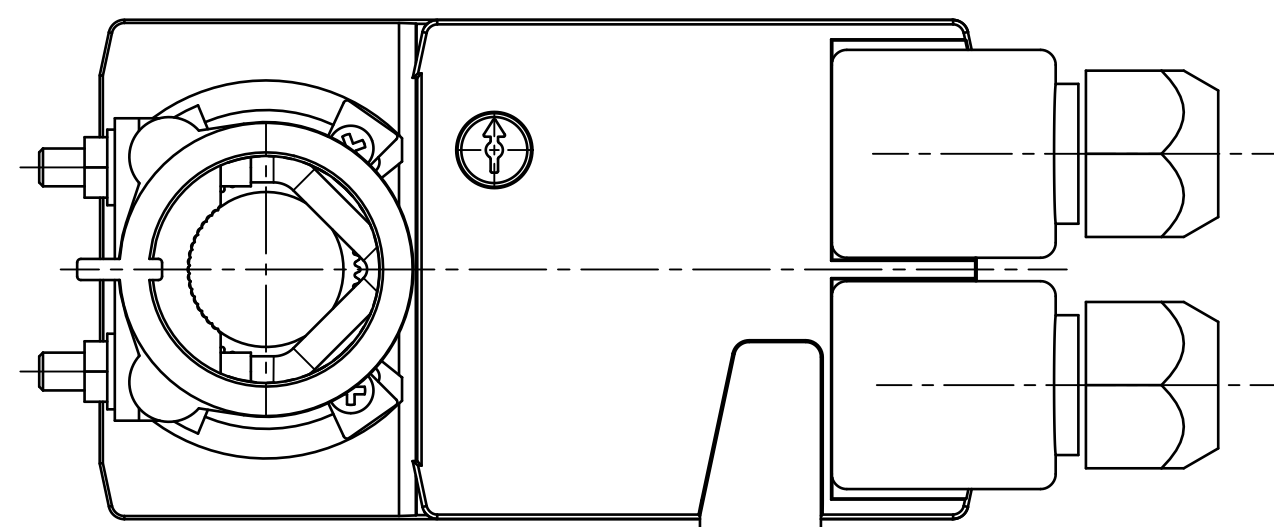


LM24A T0...  
LM24A-SR T4...  
LM230A T6...



LM24A-S T2...  
LM24AP5 TD...  
LM230A T6...



Universalklemmbock  
universal spindle clamp

Klemmenanschluss IP54  
terminal plug IP54

naming		pos.	material no		ind.	material
h			date	name	Klappenantrieb	
g			drawn	14.07.05	GXe	Damper actuator
f			appr.			5Nm
e			scale:	1:1		
d						
c						
b						
a						
rev	change	date	name	similar drawing:	replacement for:	replaced by:
	note					



LM\_A\_standard\_terminal

Legal Notice: Any distribution, copying or disclosure  
without the written permission of BELIMO is  
expressly prohibited. Failure to comply with these  
conditions may result in legal action. In print-  
ing or design registration are restricted.

General tolerances in accordance  
with ISO 2768-m (class medium).

Notes: Dimensions are in Millimeters  
(mm). 1 inch = 25.4 mm  
Drawn according to the first  
angle projection method.

11.08.2005 09:17:6