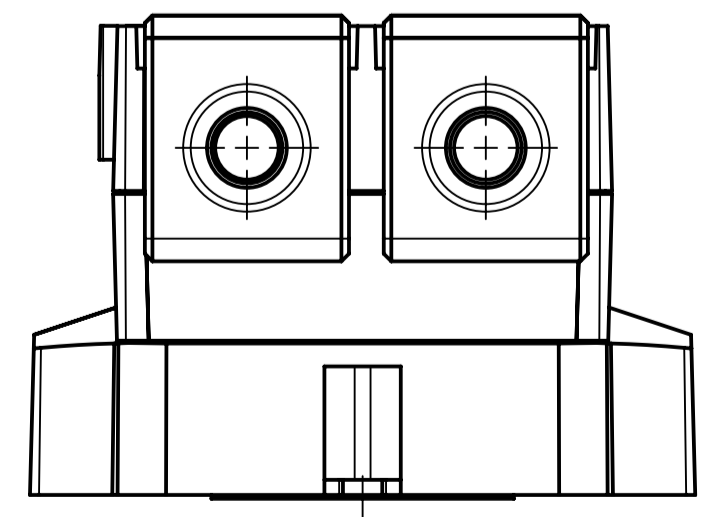
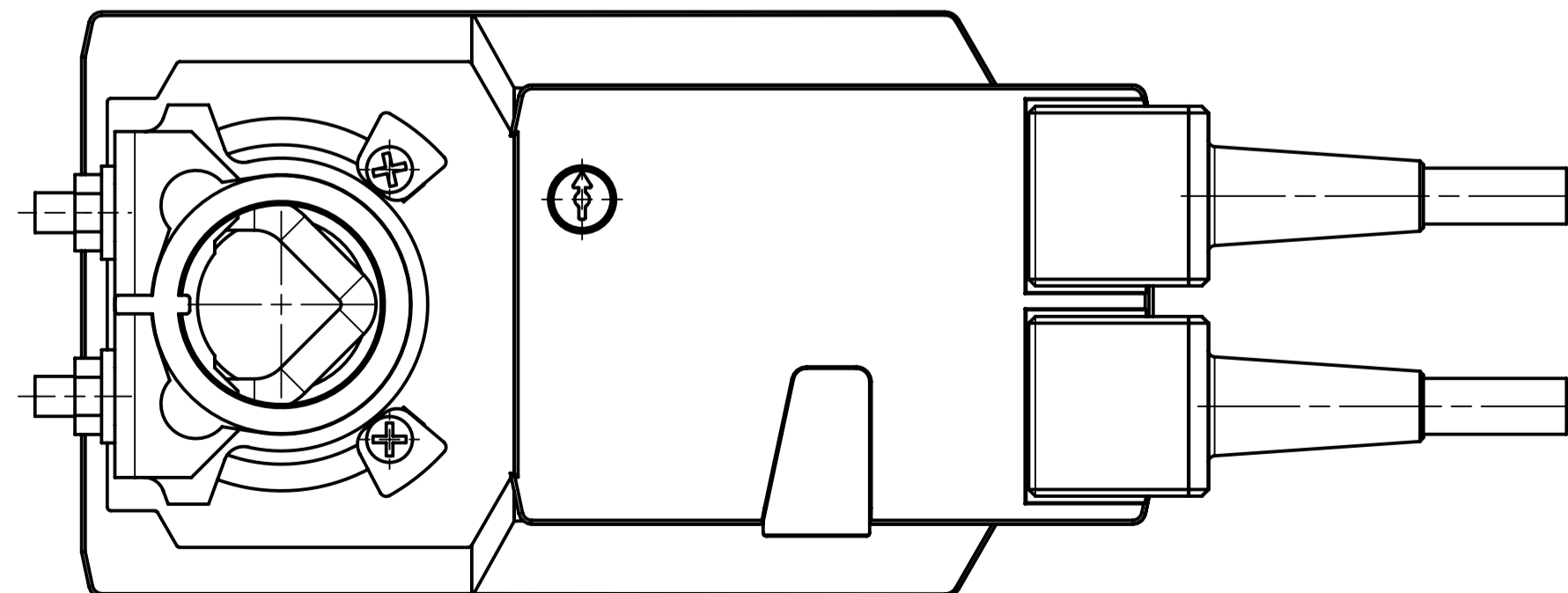
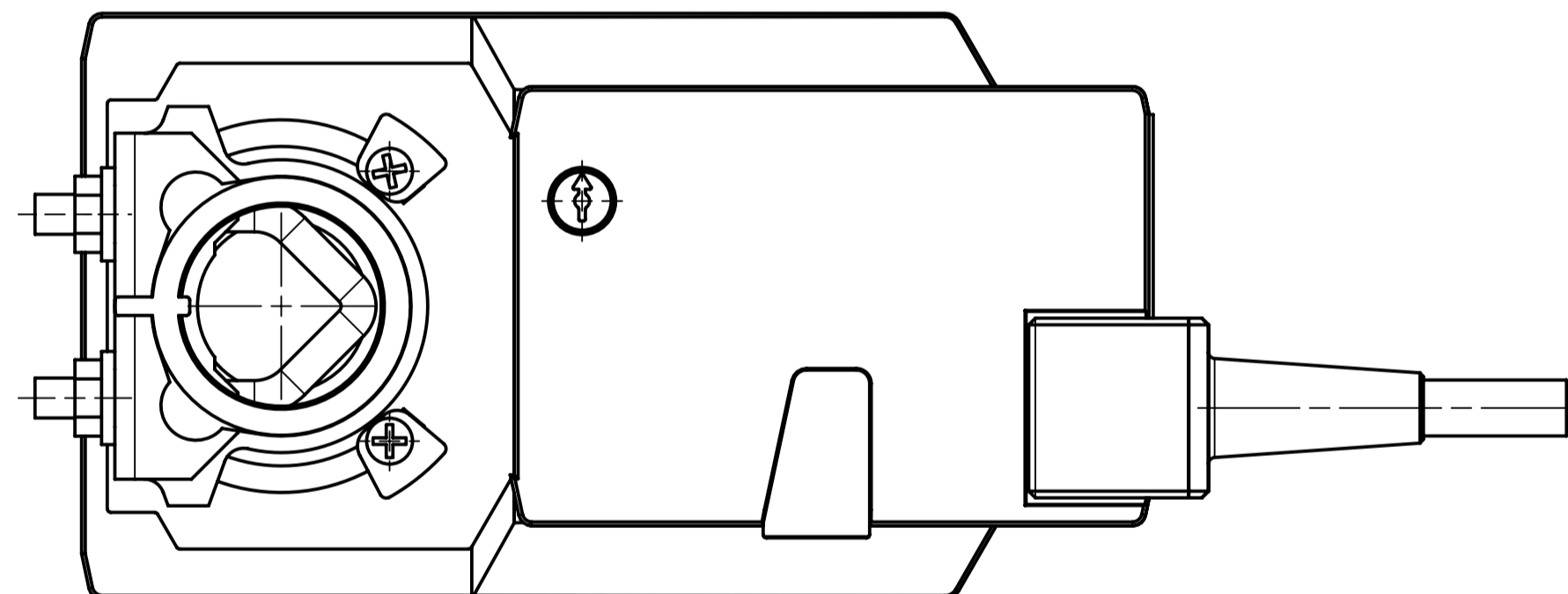
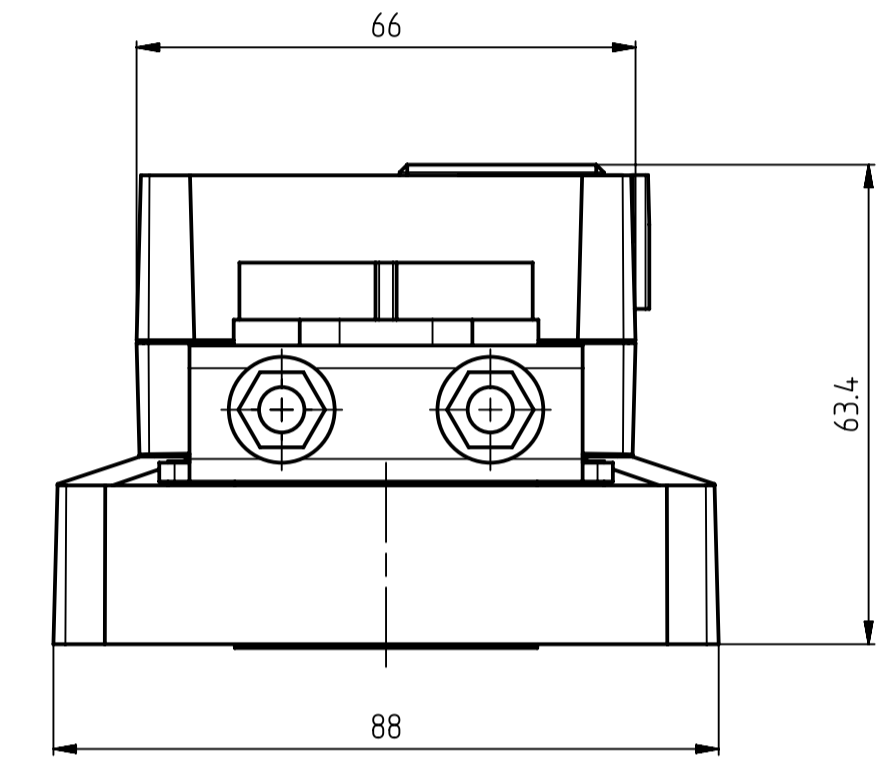
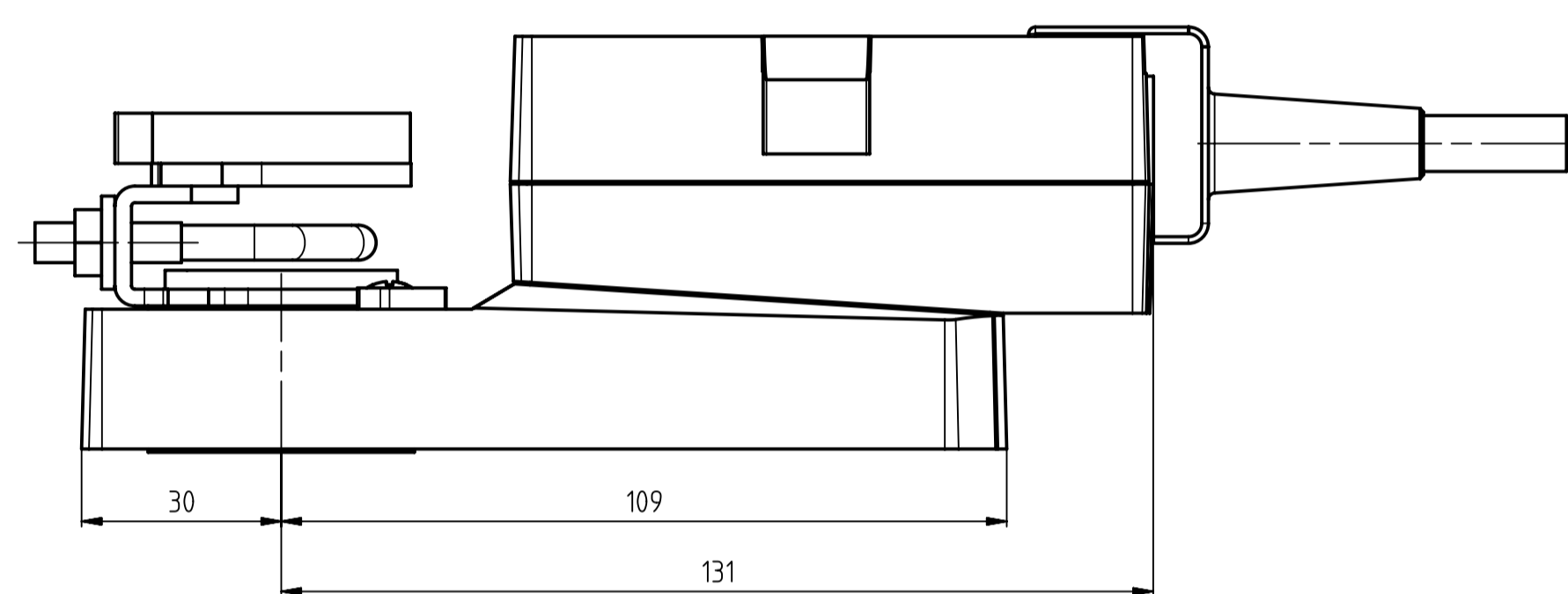
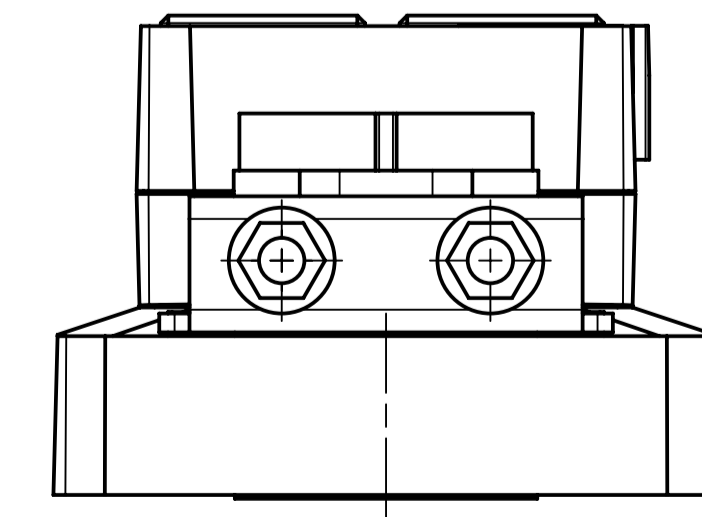


SM24A-MF 20Nm
 SM24A-MP 20Nm
 SMD230A 16Nm



SM230ASR 20Nm



Universalklemmbock
 universal spindle clamp

Legal Notice: Any distribution, copying or disclosure of this document is prohibited without the written permission of the manufacturer. The manufacturer assumes no liability for damage or injury resulting from the use of this document. The manufacturer reserves the right to change the design without notice.

Notes: Dimensions are in millimeters (mm). 1 inch = 25.4 mm. First angle projection method.

General tolerances in accordance with ISO 2768-mK.

Drawn	08.02.2013	gcp	Document description Klappenantrieb Damperactuator 20Nm / 16Nm
Appr.	11.02.2013	gcp	
Scale:	1:1		
Voll cm³:			Document number SM_230ASR Material specification
Inspection agreement with supplier <input type="checkbox"/> See inspection agreement <input checked="" type="checkbox"/> No inspection agreement necessary			Dev.no: ch005334 Dev.rev: 003 No. of sheets: 1 Sheet no: 1

