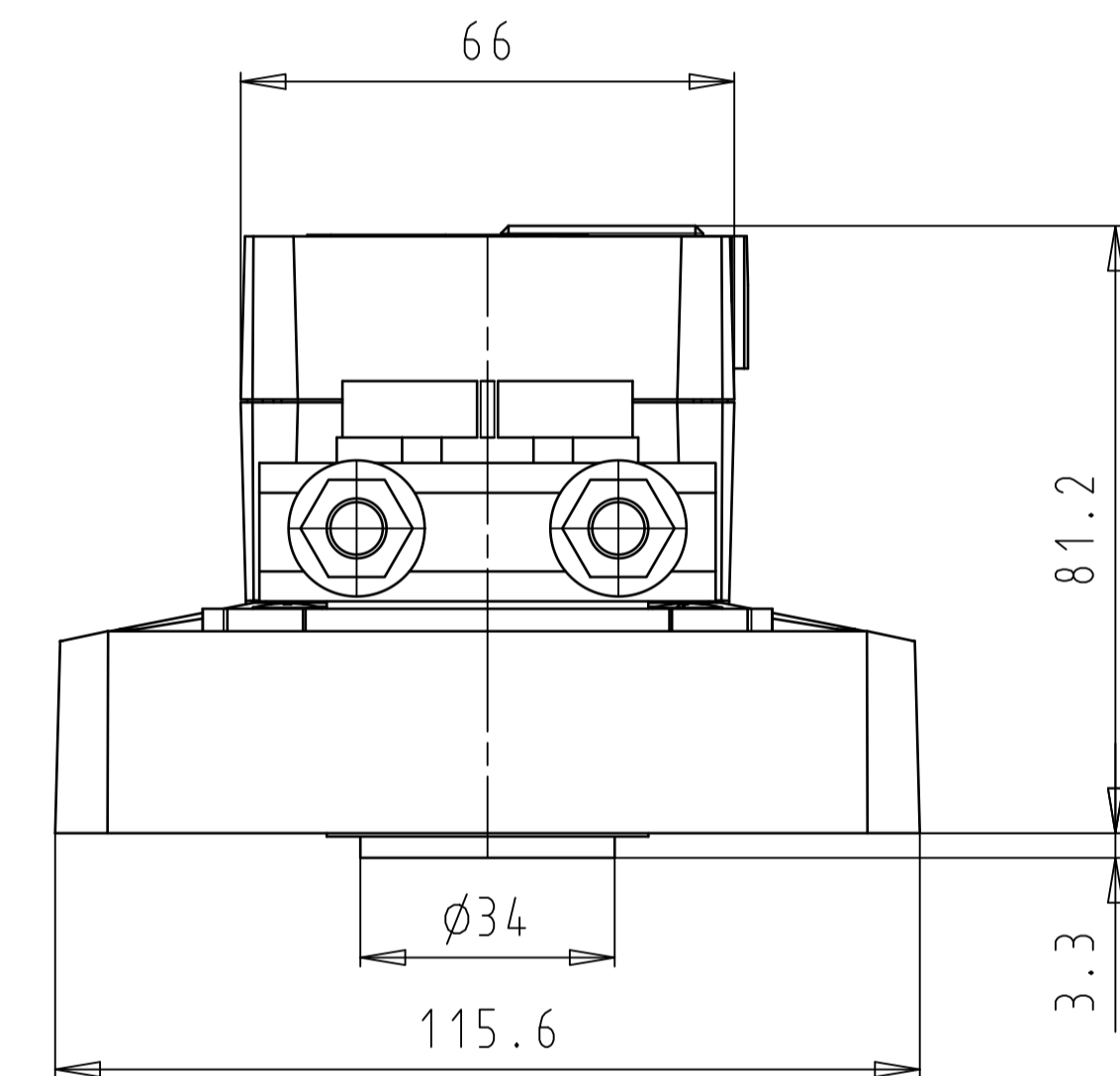
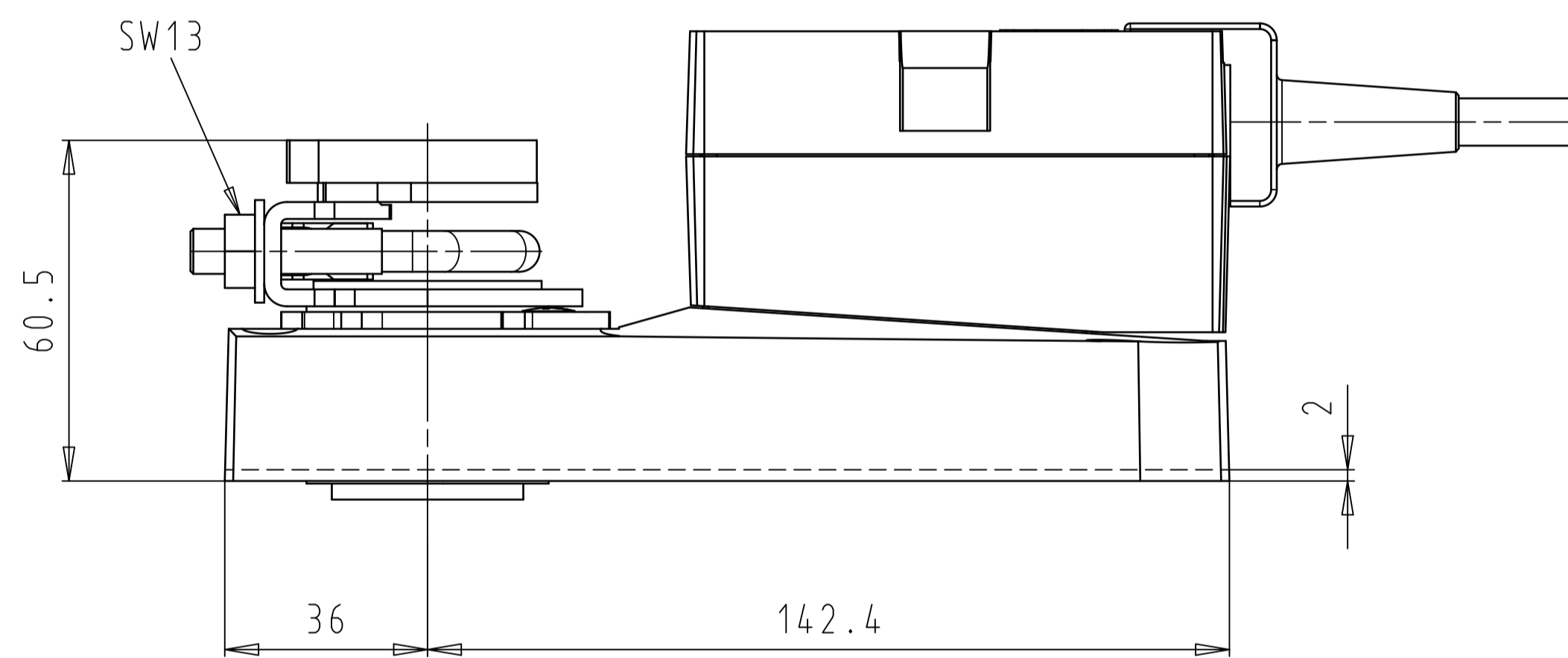
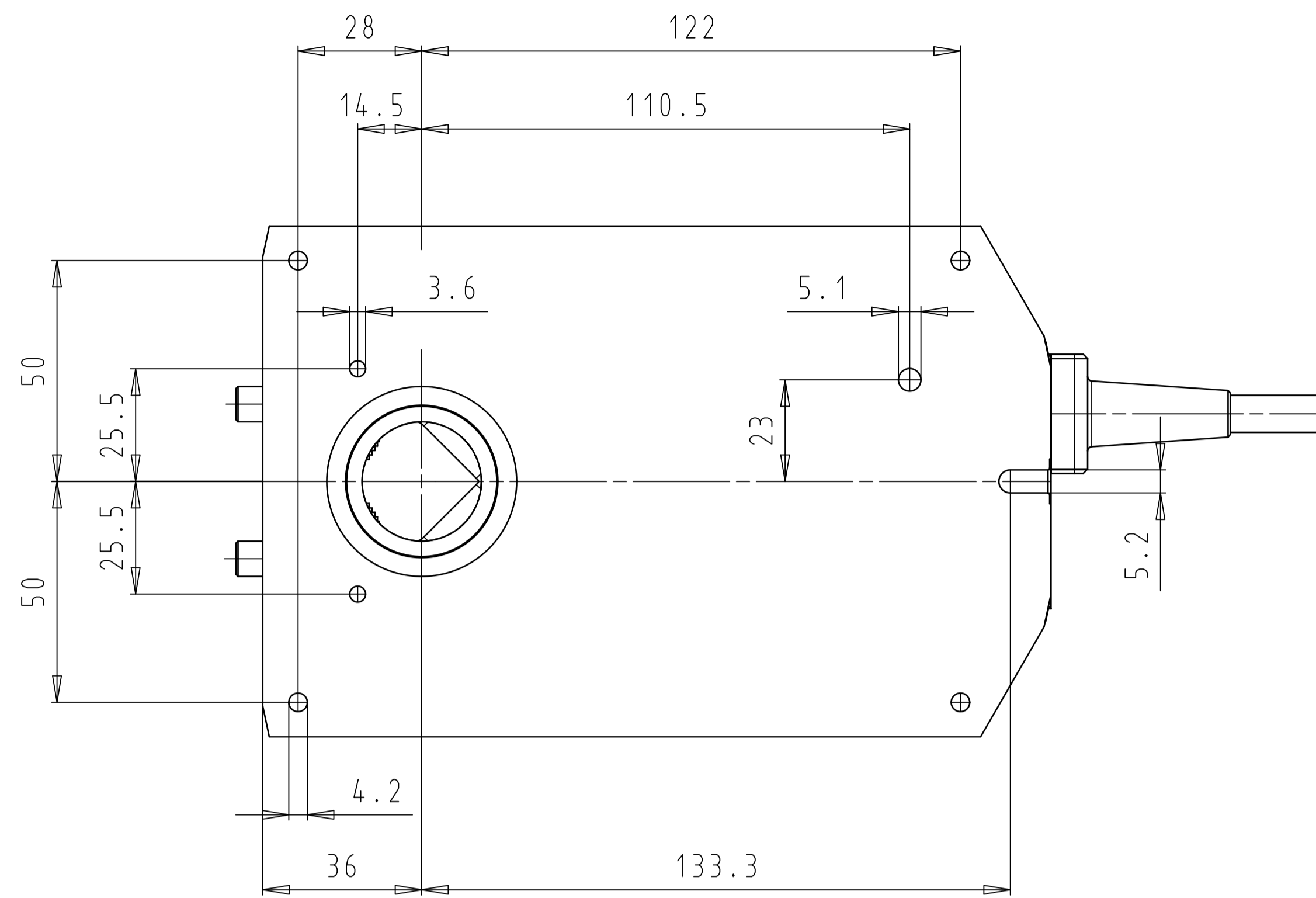
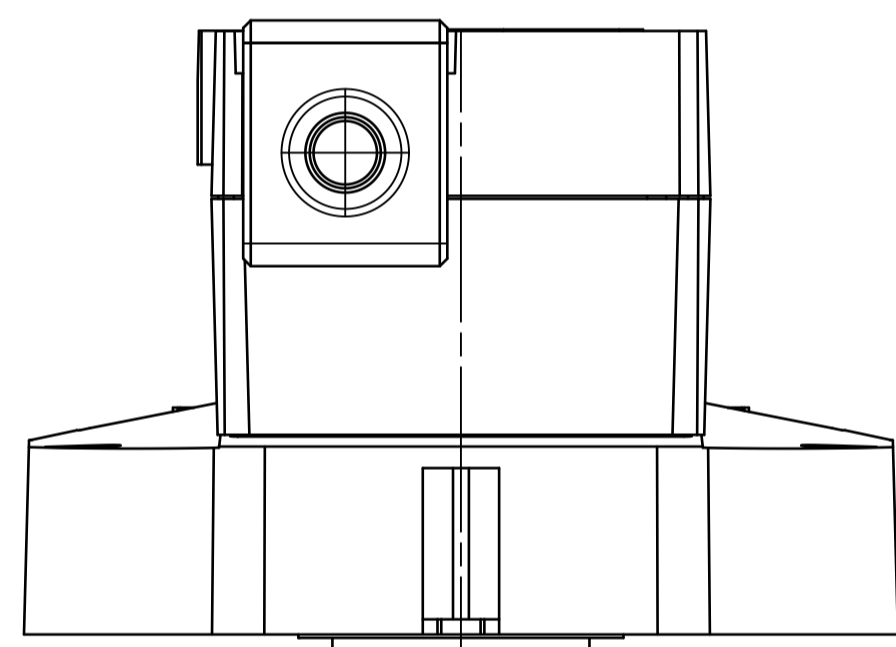


Notes: Dimensions are in Millimeters (mm), 1 inch = 25.4 mm. Drawn according to the first angle projection method.

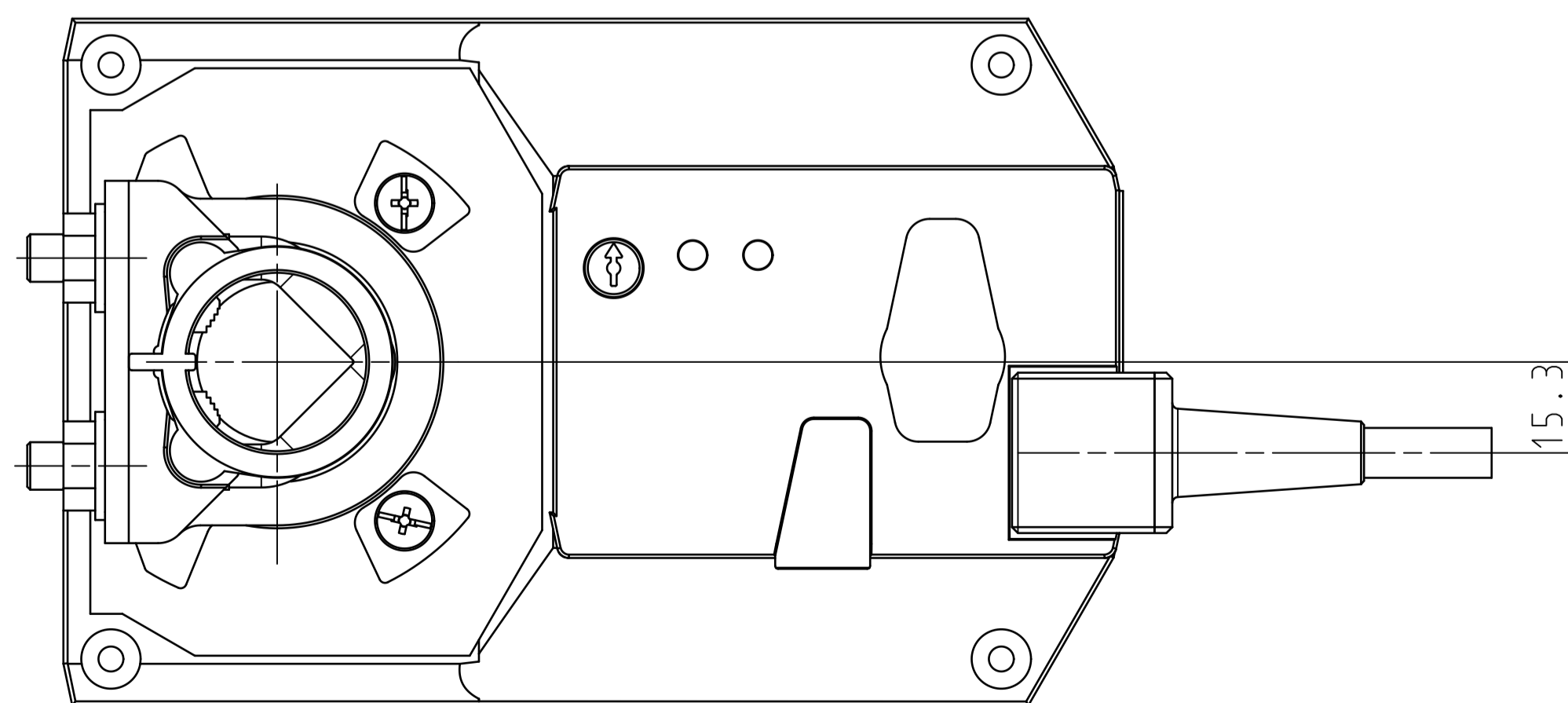
15.05.2007 14:52 1 00126 PROJEKTION.ME1002

General tolerances in accordance with ISO 2768-m (class medium).

Legal Notice: Any distribution, copying or disclosure of this drawing without the express written permission of the manufacturer is prohibited. Failure to comply with these conditions may result in legal action.



SMQ24A
SMQ24A-SR
SMQ24A-MF



Universalklemmbock
universal spindle clamp

| naming | | pos. | material no | ind. | material |
|--------|--------|--------|-------------|------------------|---|
| h | | | date | name | Klappenantrieb Damper actuator 16Nm |
| g | | drawn | 26.04.07 | GXe | |
| f | | appr. | | | |
| e | | scale: | 1:1 | | |
| d | | | | | |
| c | | | | | |
| b | | | | | |
| a | | | | | |
| rev | change | date | name | similar drawing: | replaced by: |
| | note | | | replacement for: | |

BELIMO SMQ_24A_ASR_AMF

index sheet
Material No
index by
material no