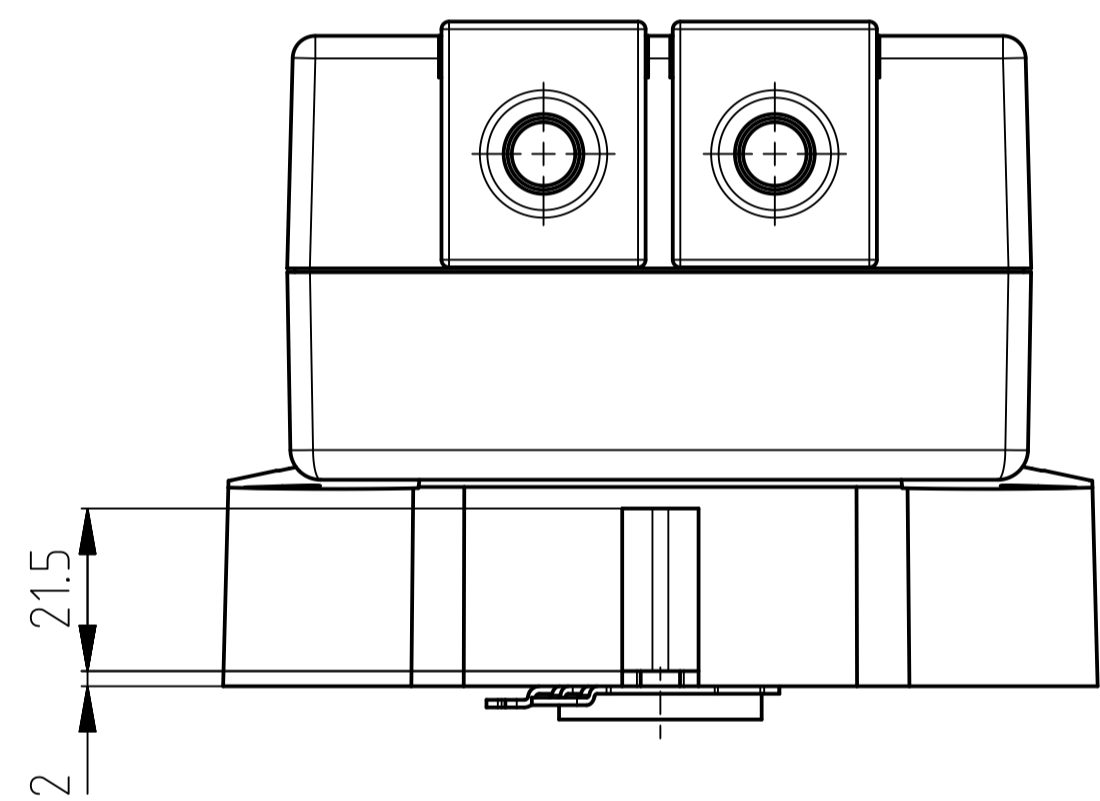


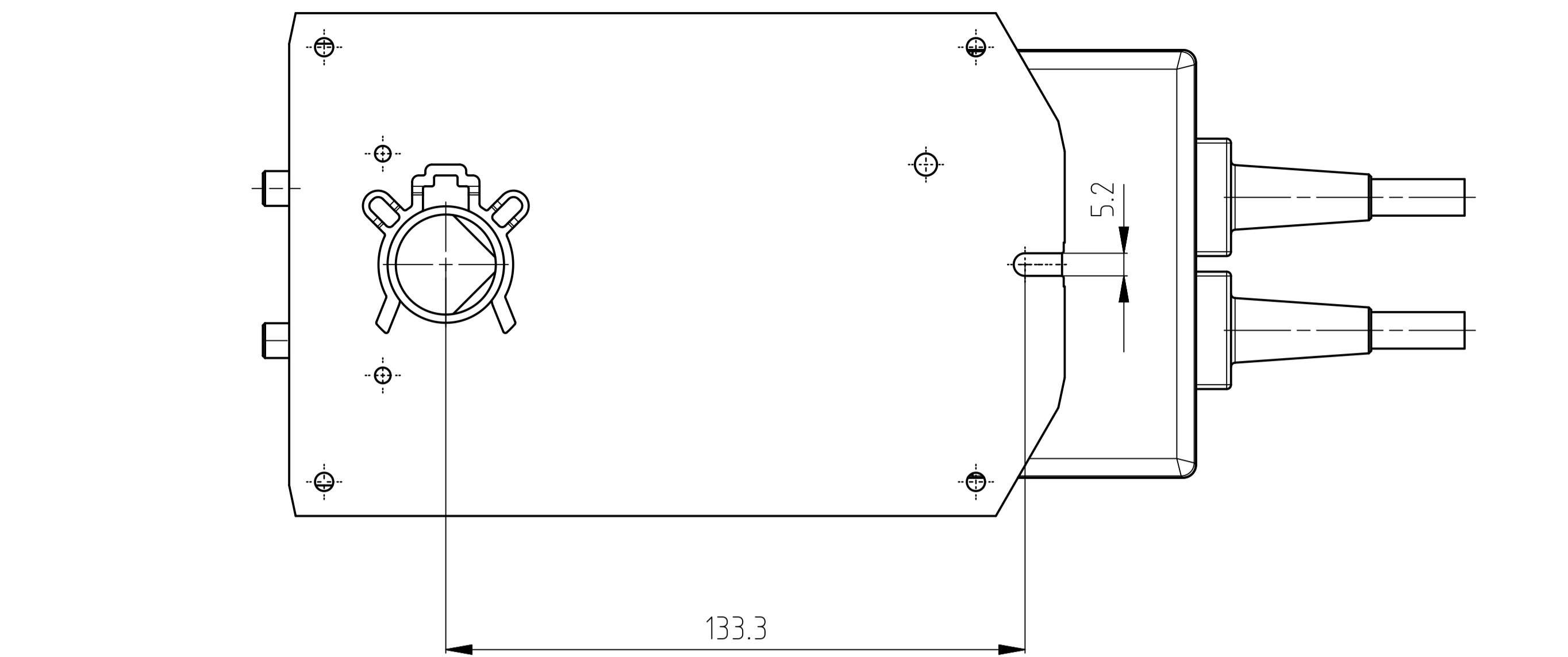
Legal Notice: Any distribution, copying or disclosure
without the express written consent of the manufacturer
is prohibited. All rights reserved.

General tolerances in accordance
with ISO 2768-mK

Notes: Dimensions are in millimeters
(mm), 1 inch = 25.4 mm, first
angle projection method.

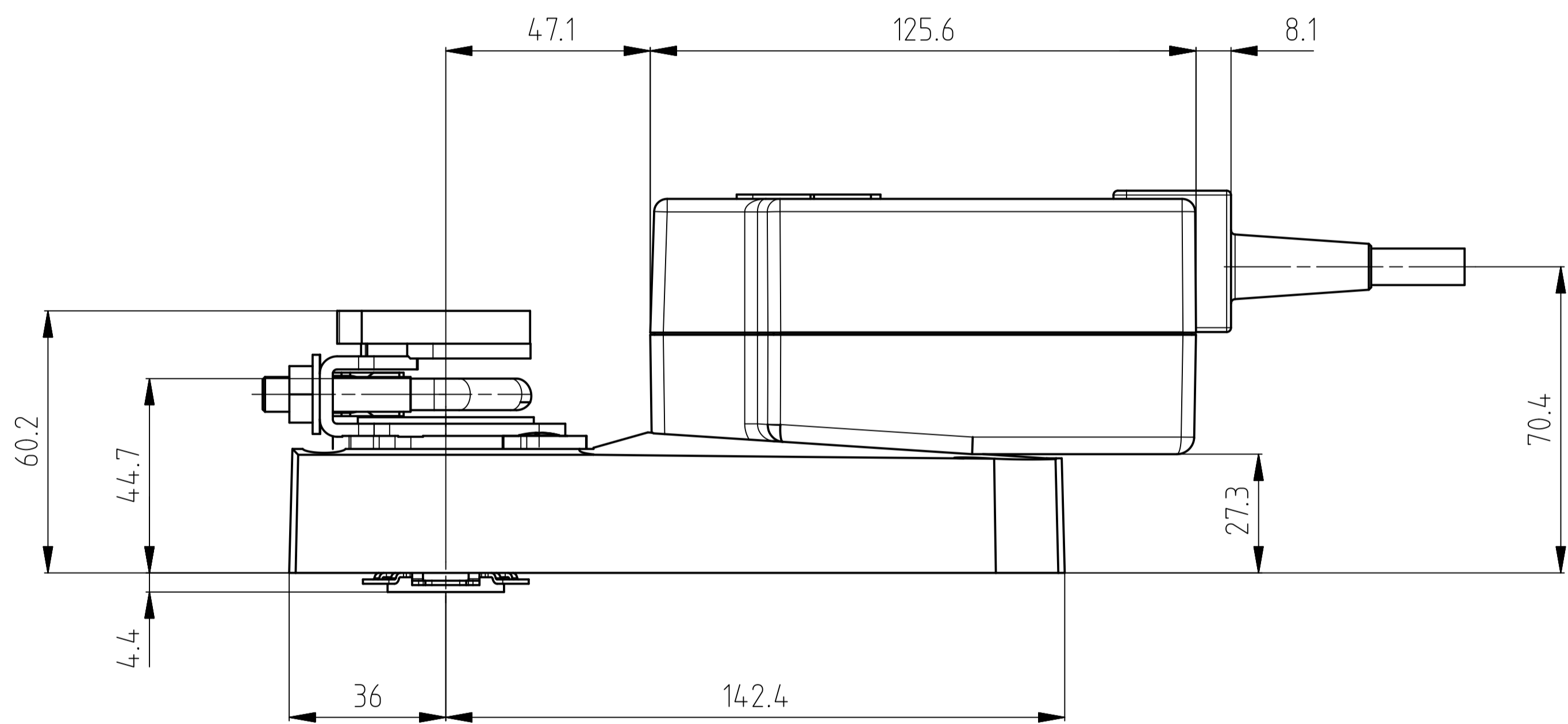


21.5
2



133.3

5.2



60.2

44.7

4.4

36

142.4

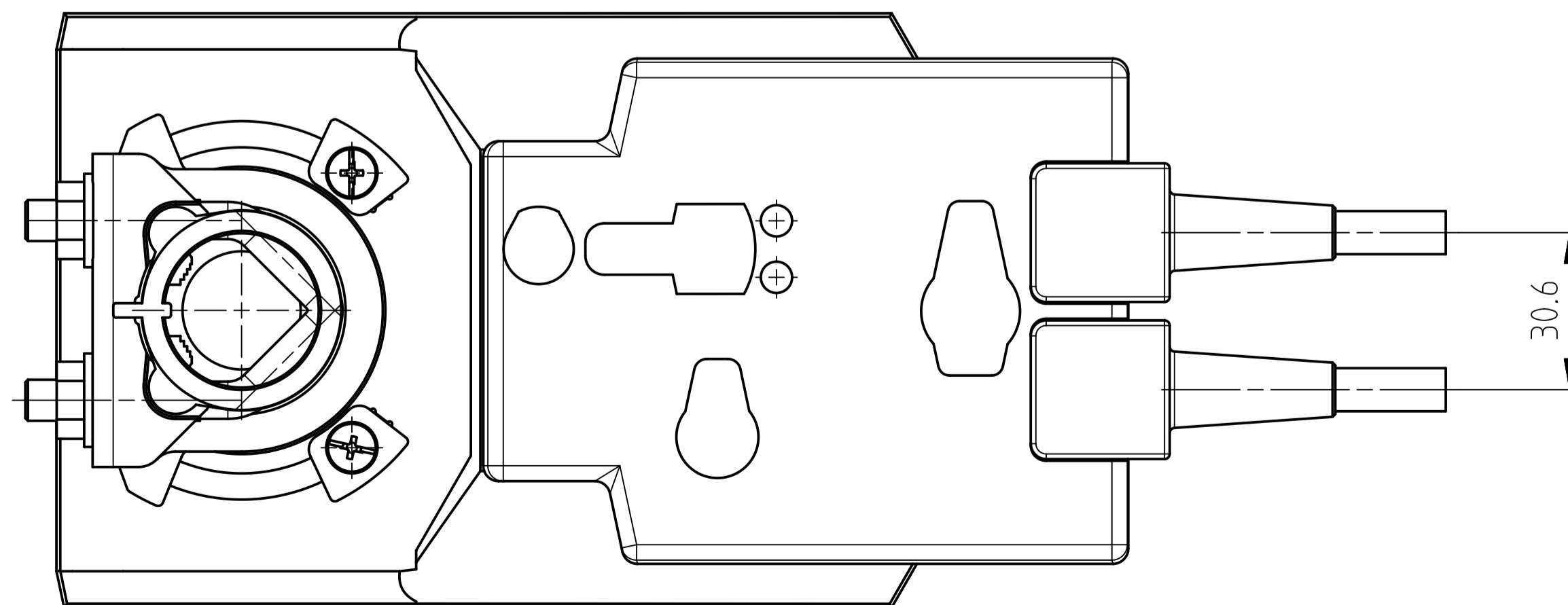
47.1

125.6

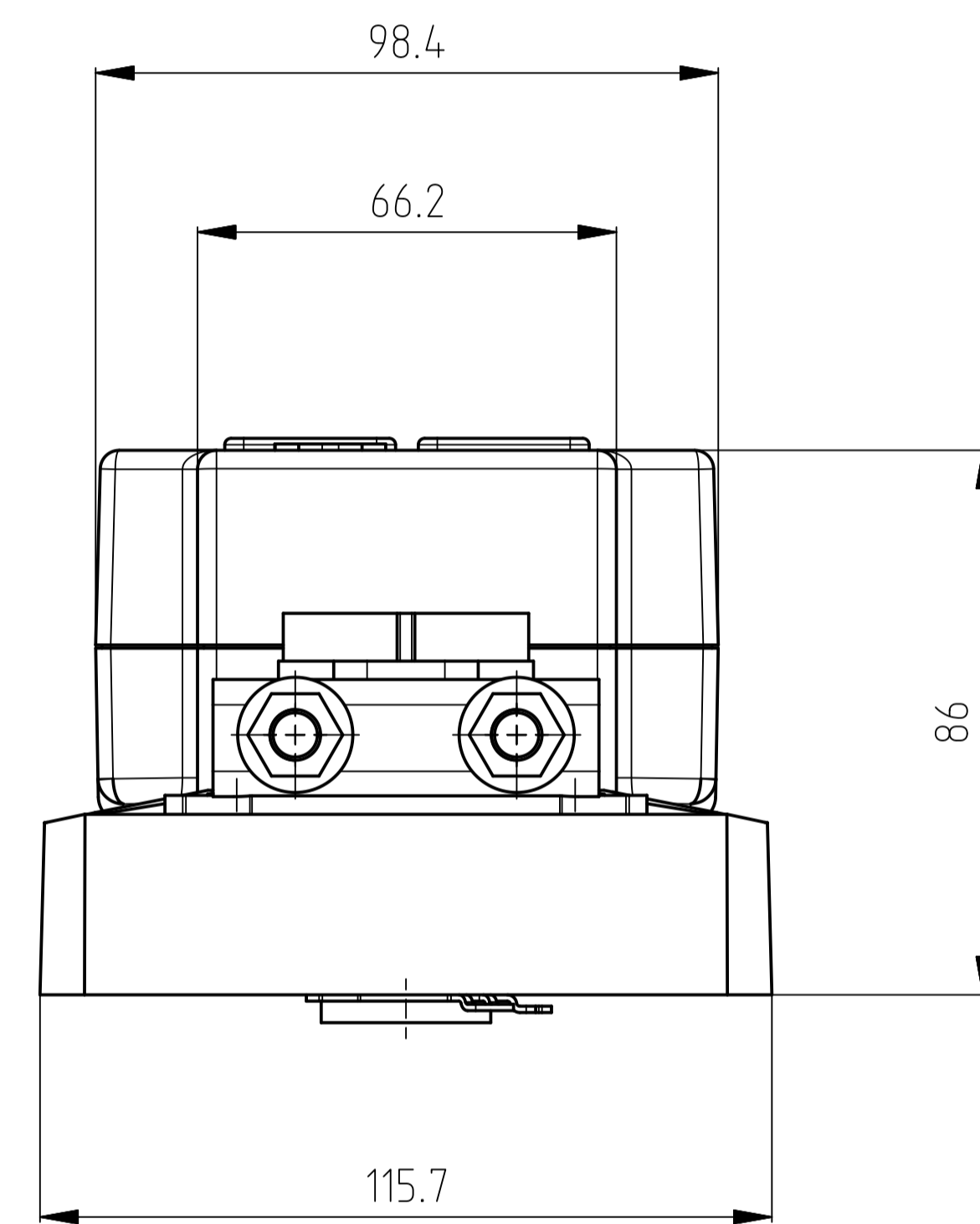
8.1

27.3

70.4



30.6



98.4

66.2

86

115.7

Universalklemmbock
universal spindle clamp

Inspection agreement with supplier
 See inspection agreement
 No inspection agreement necessary

Drawn	Date	Name	Document description
Appr.	15.12.2010	GXe	Klappenantrieb GK
Scale:	1:1		damper actuator
Voll cm ³ :			40 Nm
Document number			not released for production
Material specification			
Dev.no:	ch0037749	Dev.rev:	01
No. of sheets:	1	Sheet no:	1

BELIMO