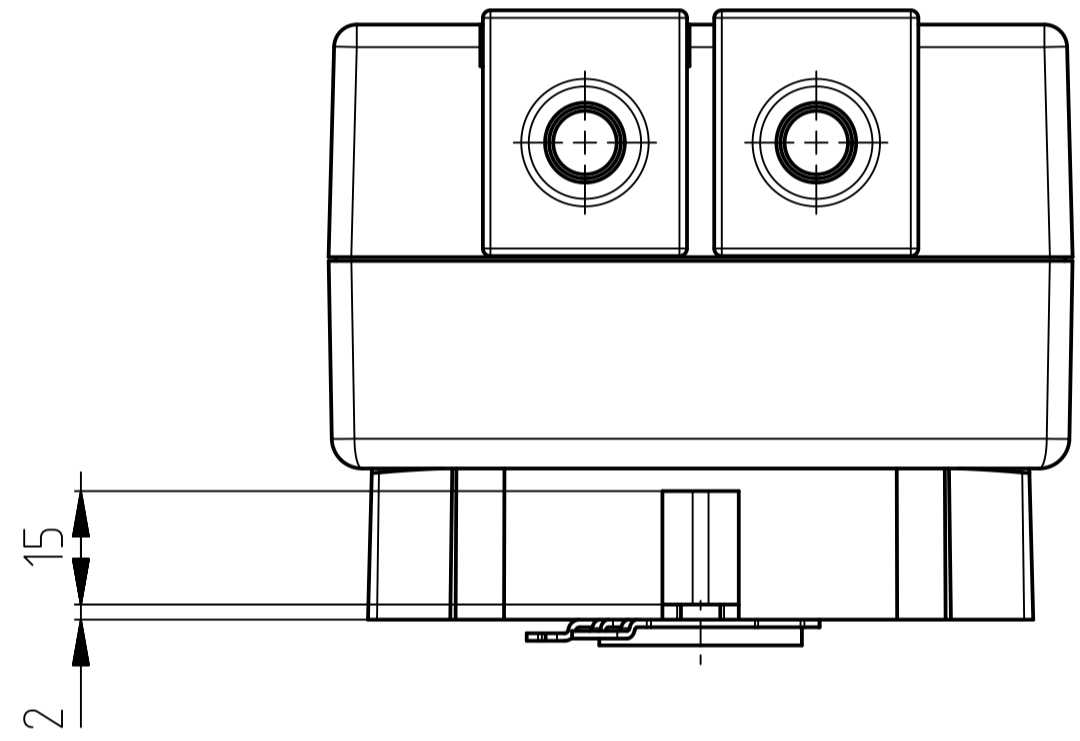


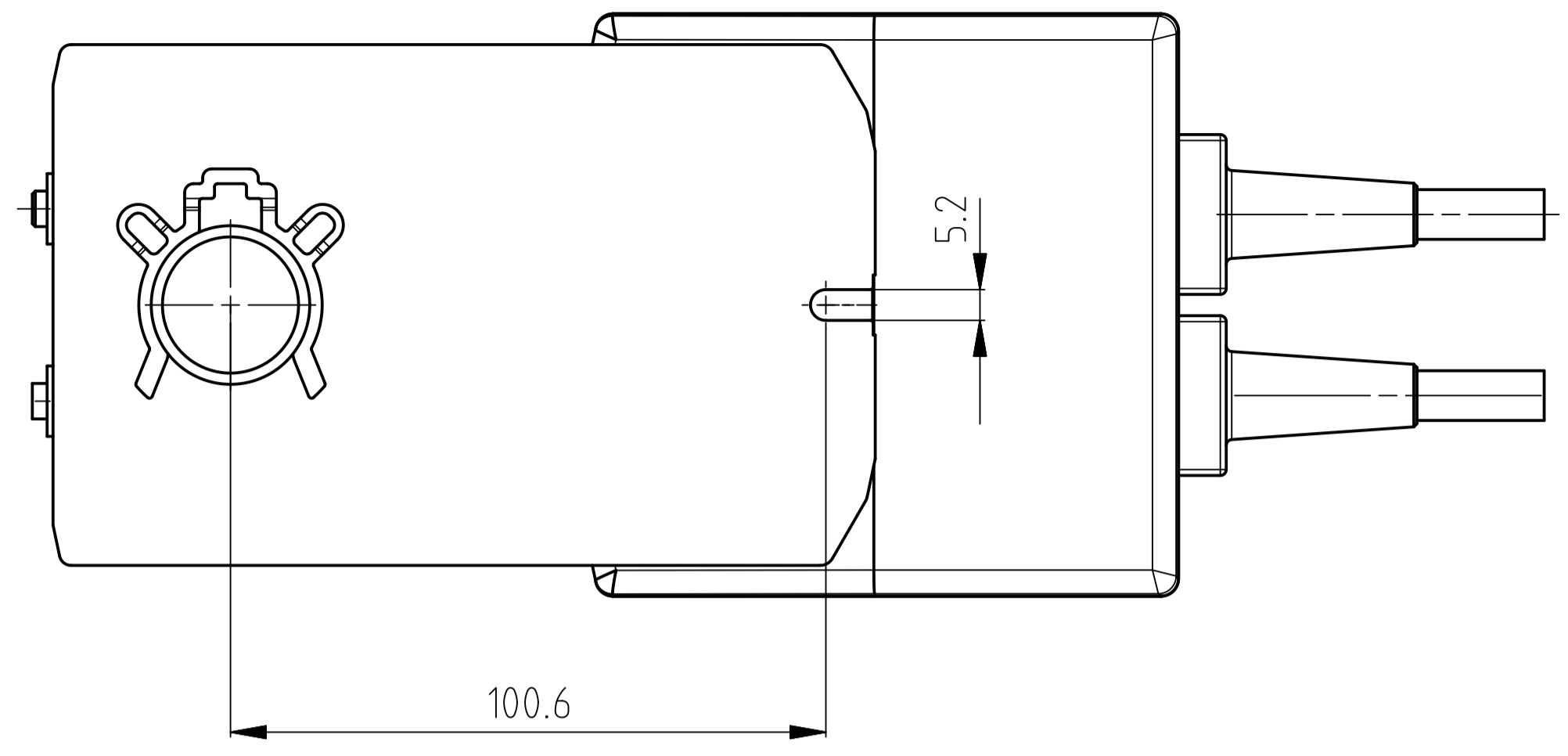
Legal Notice: Any distribution, copying or disclosure of this document is expressly prohibited. Liability to third parties for patent infringement or design registration are reserved.

General tolerances in accordance with ISO 2768-mK

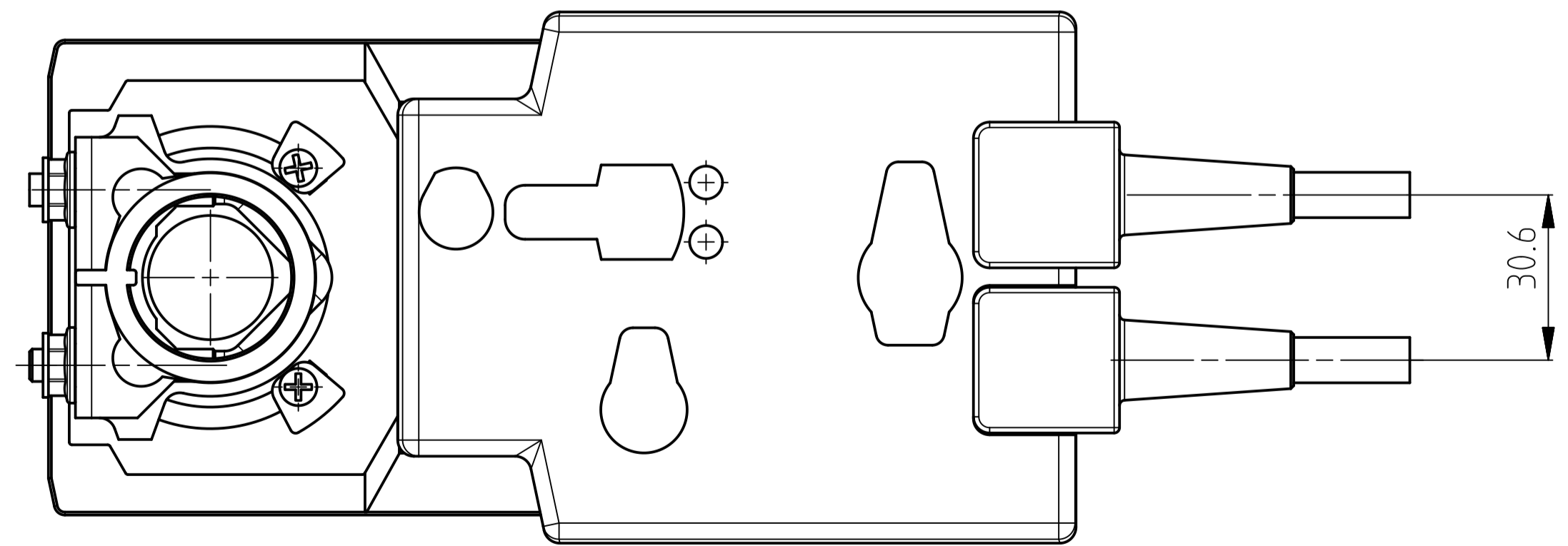
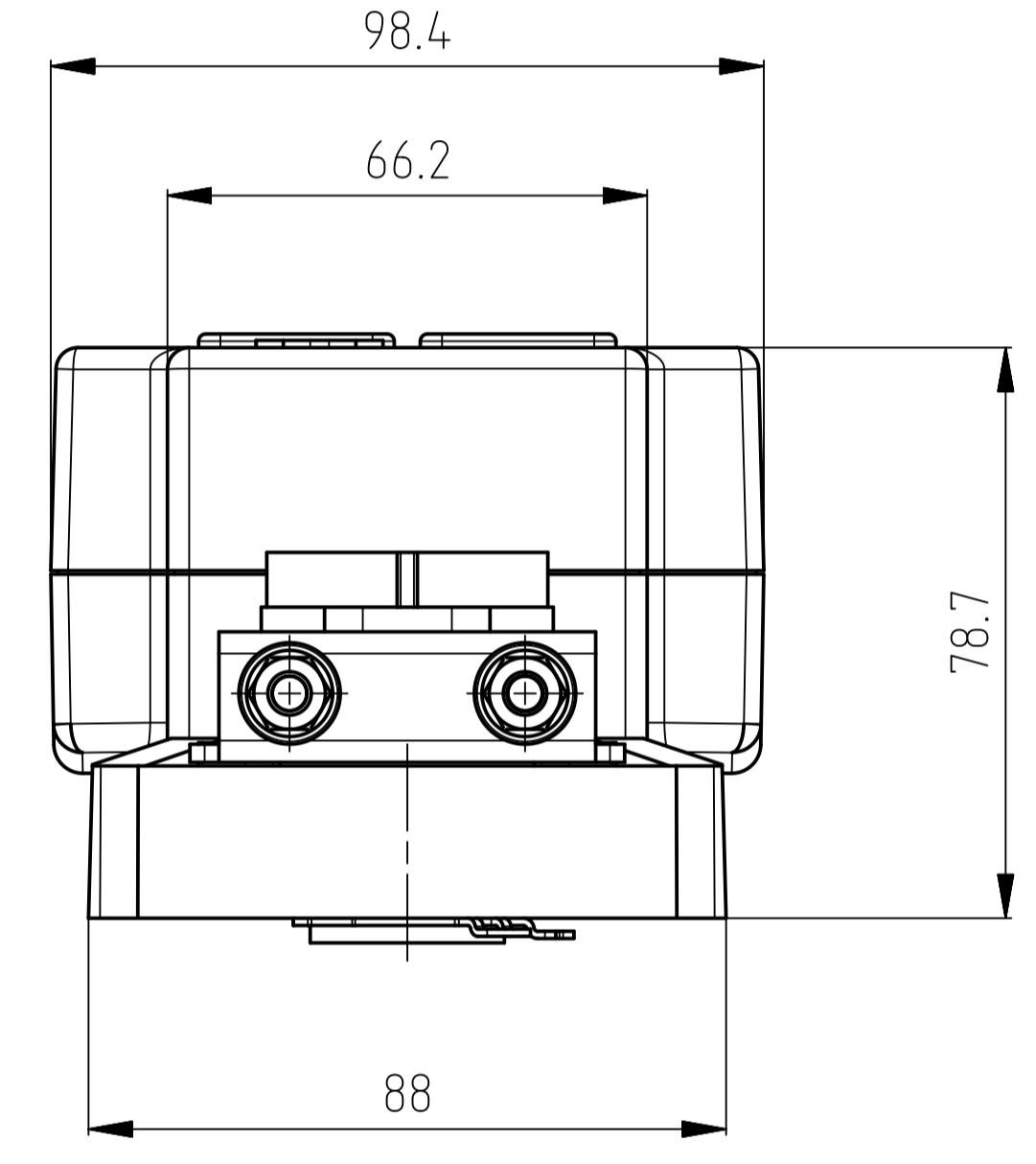
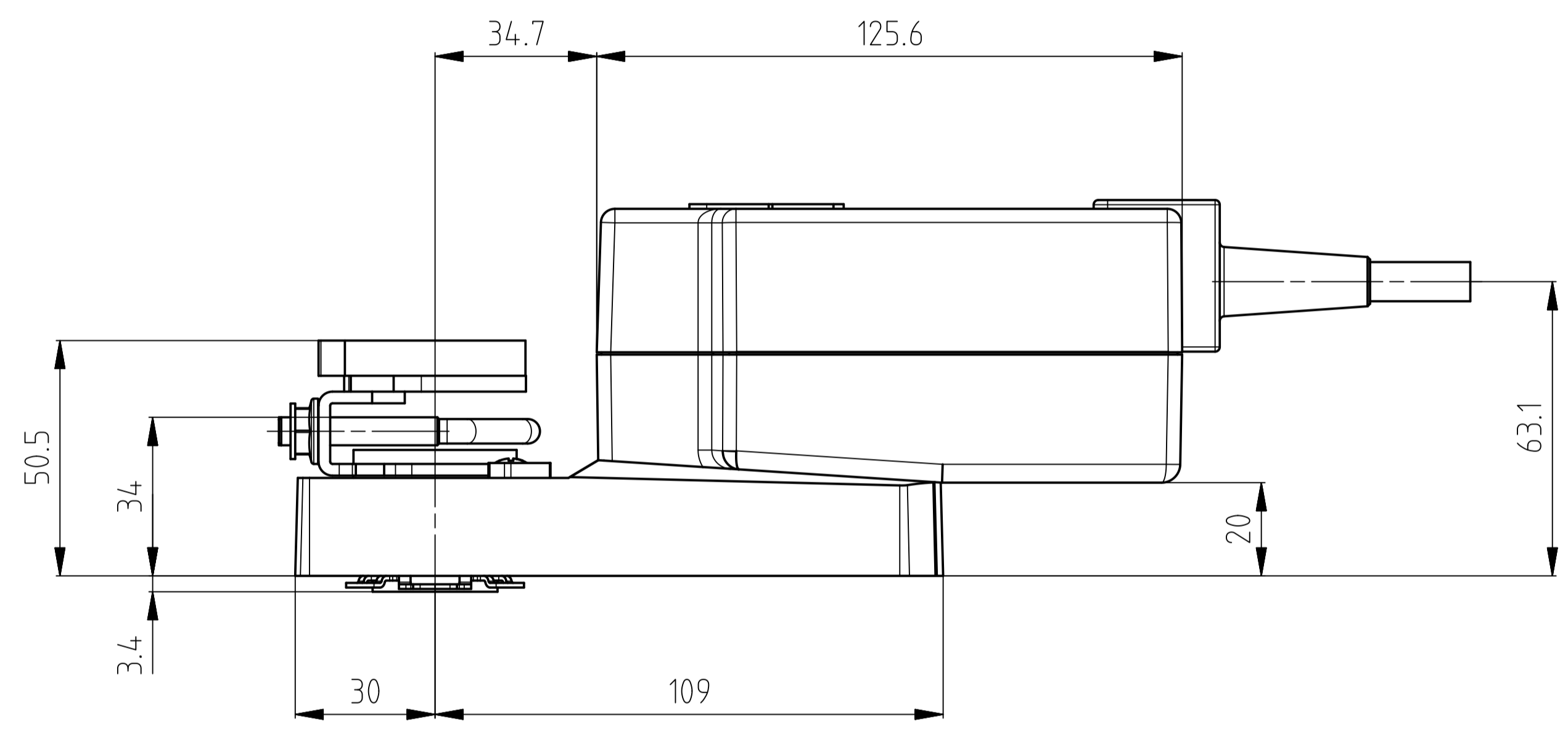
Notes: Dimensions are in millimeters (mm), 1 inch = 25.4 mm, first angle projection method.



2
15



100.6



30.6

Universalklemmbock
universal spindle clamp

Inspection agreement with supplier
 See inspection agreement
 No inspection agreement necessary

Drawn	Date	Name	Document description
Appr.	16.12.2010	GXe	Klappenantrieb NKQ
Scale:	1:1		damper actuator
Voll cm ³ :			6 Nm
			Document number
			not released for production
Material specification			Dev.no: ch0037765 Dev.rev: 01
No. of sheets: 1			Sheet no: 1