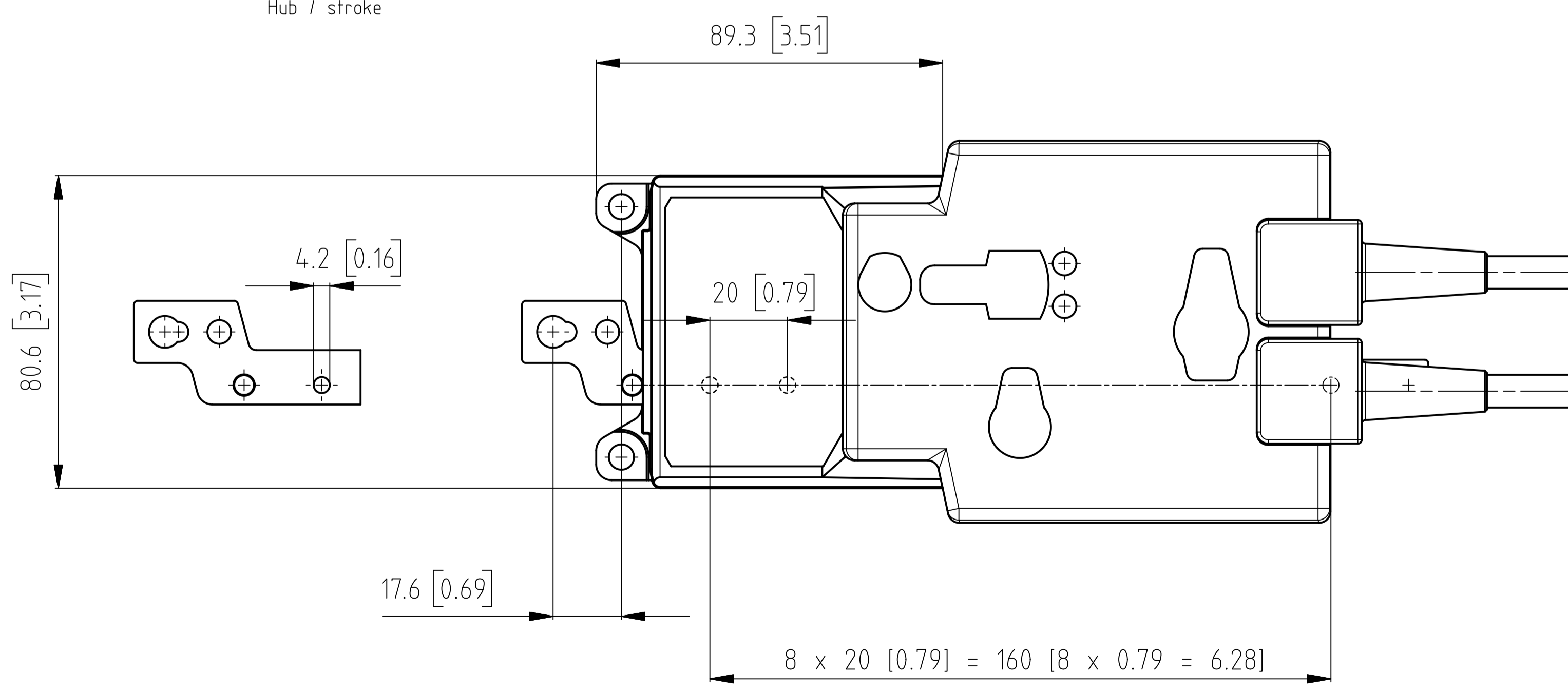
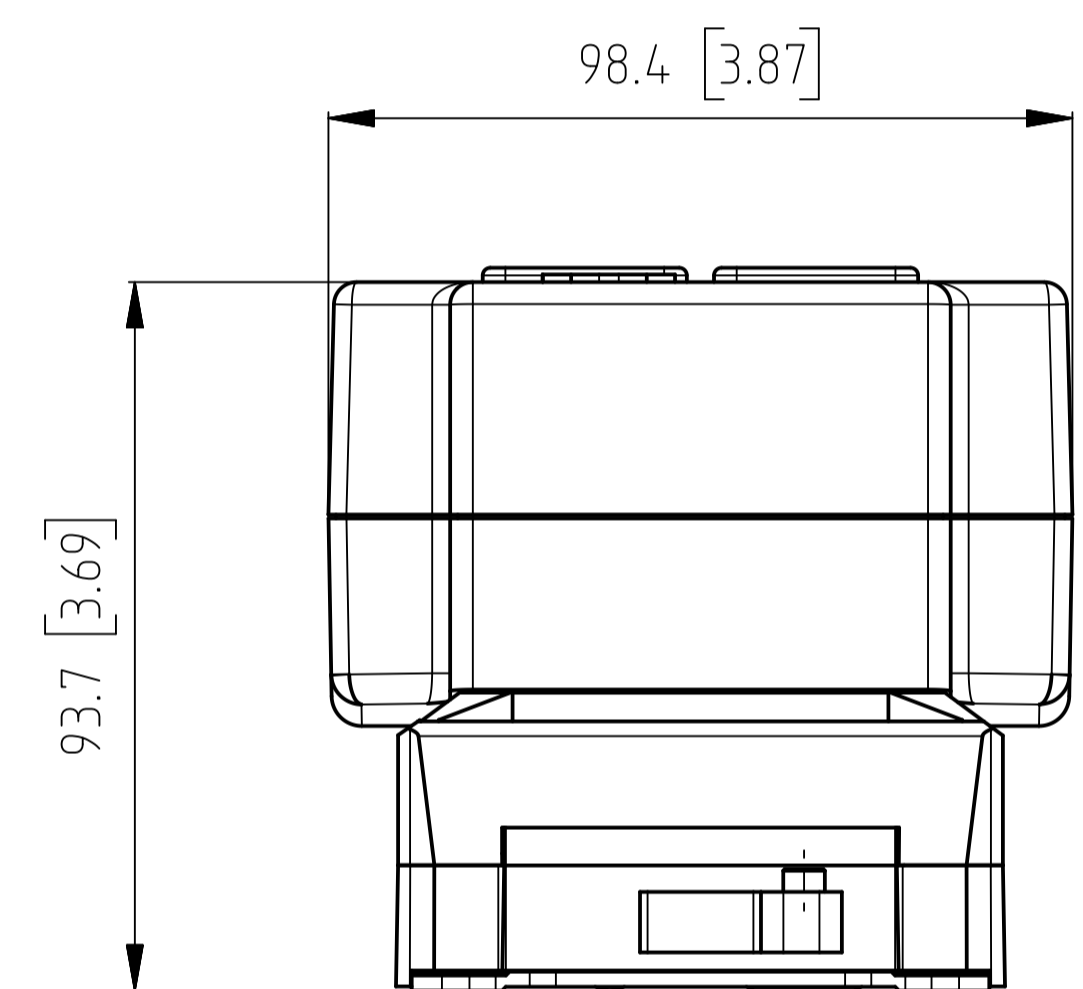
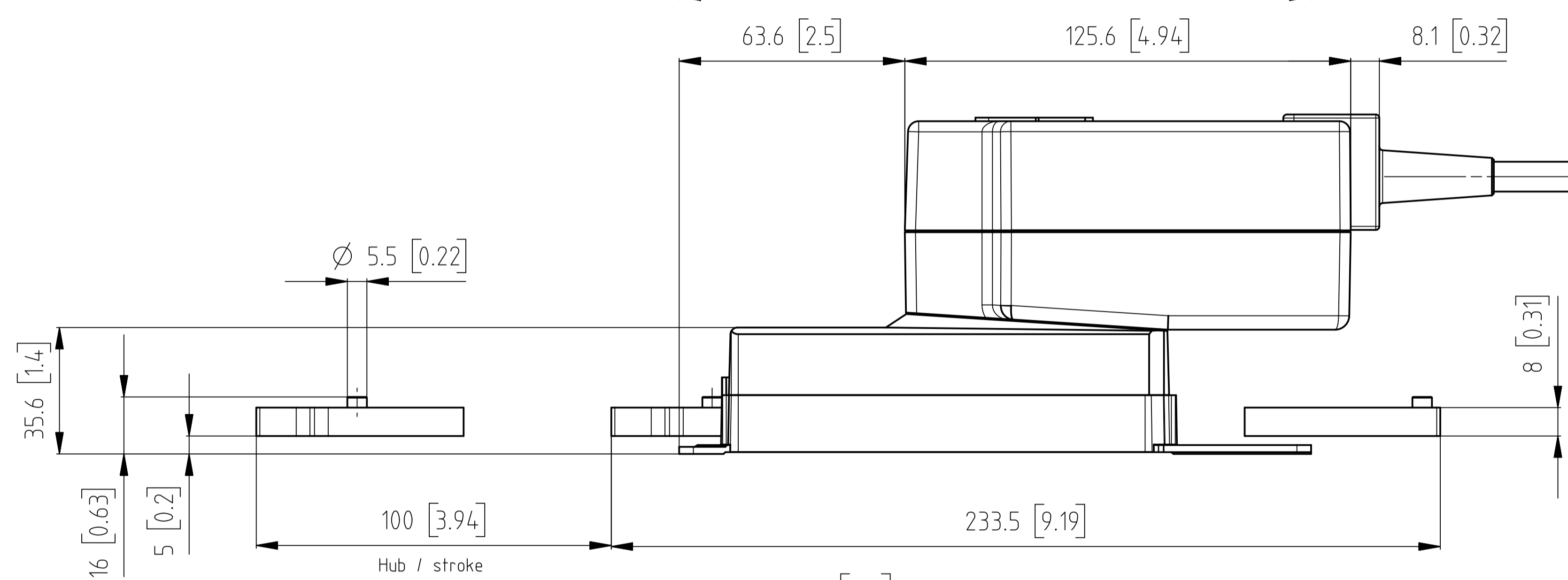
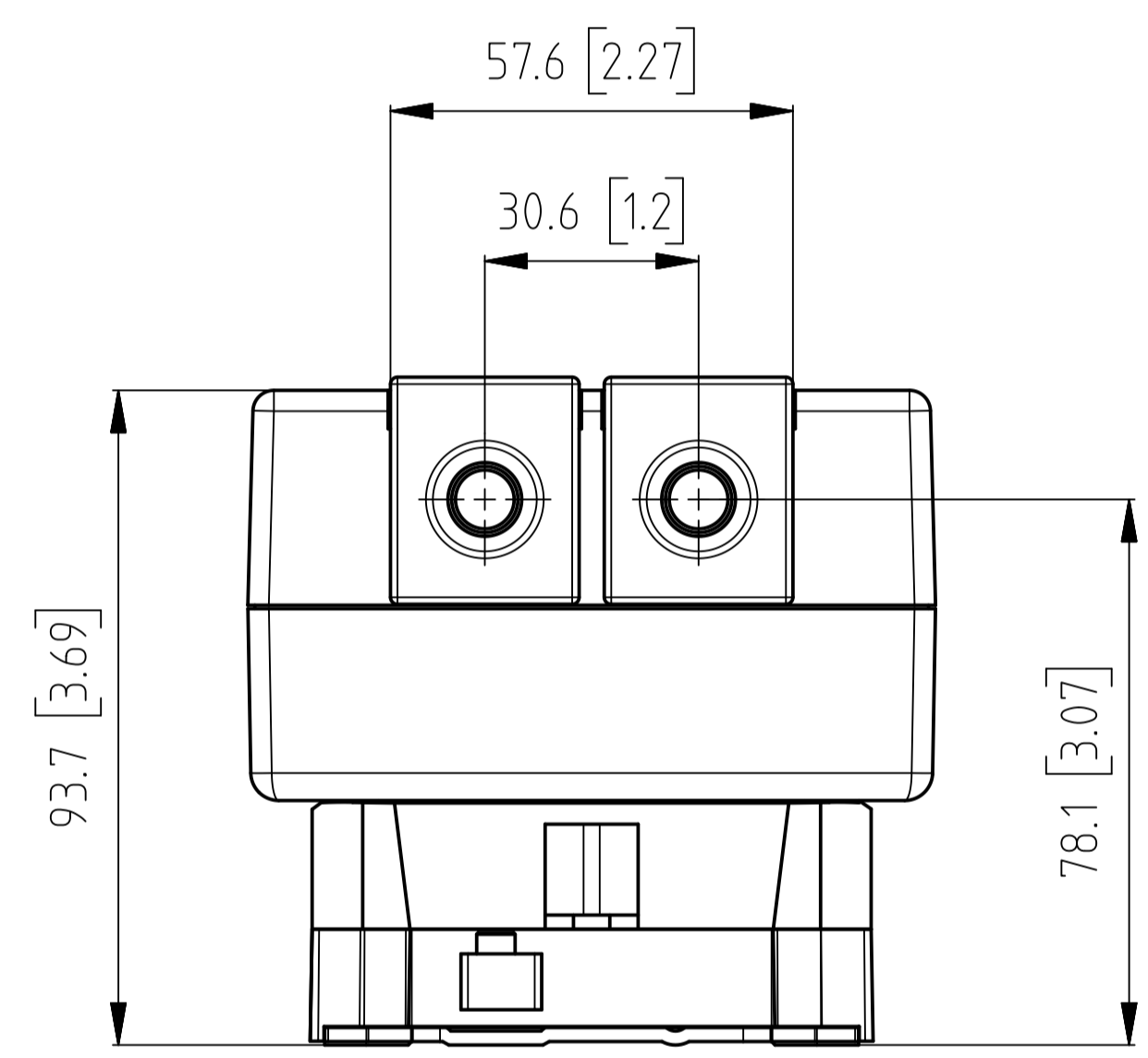
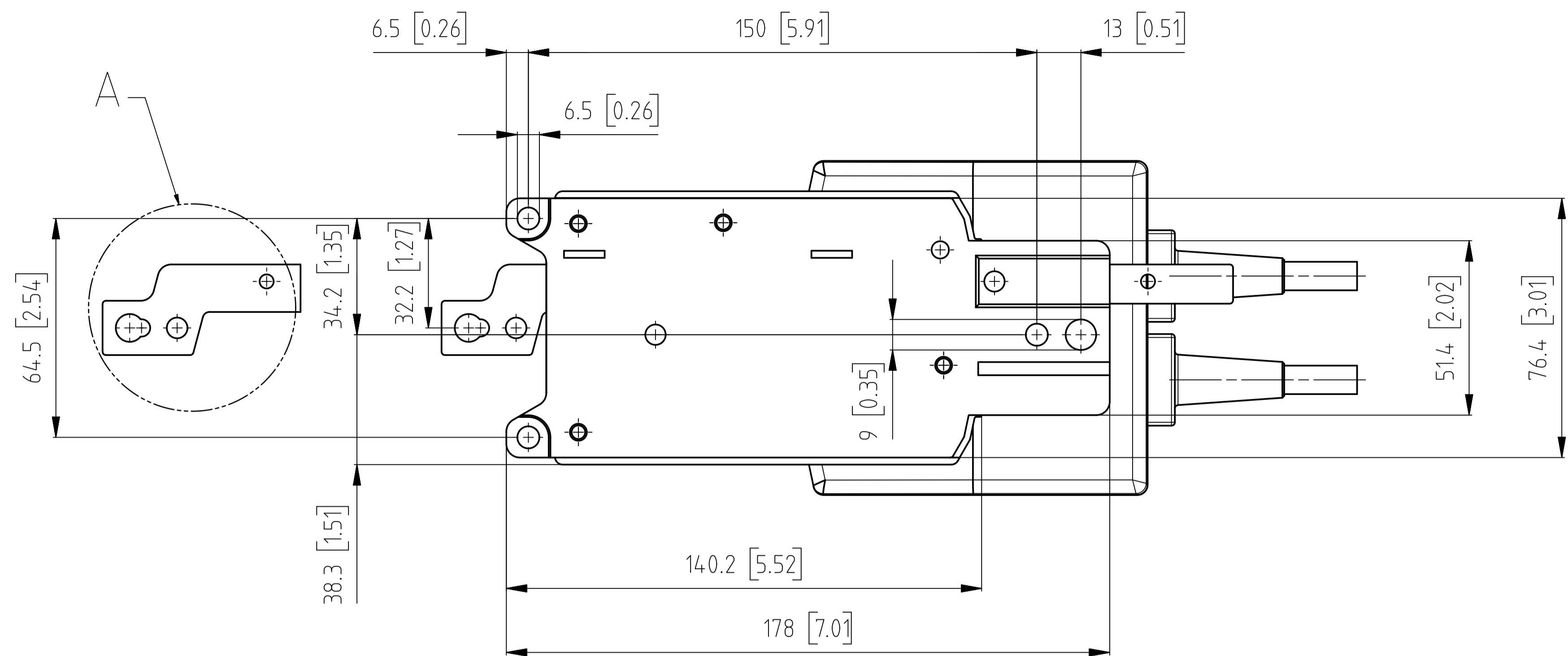
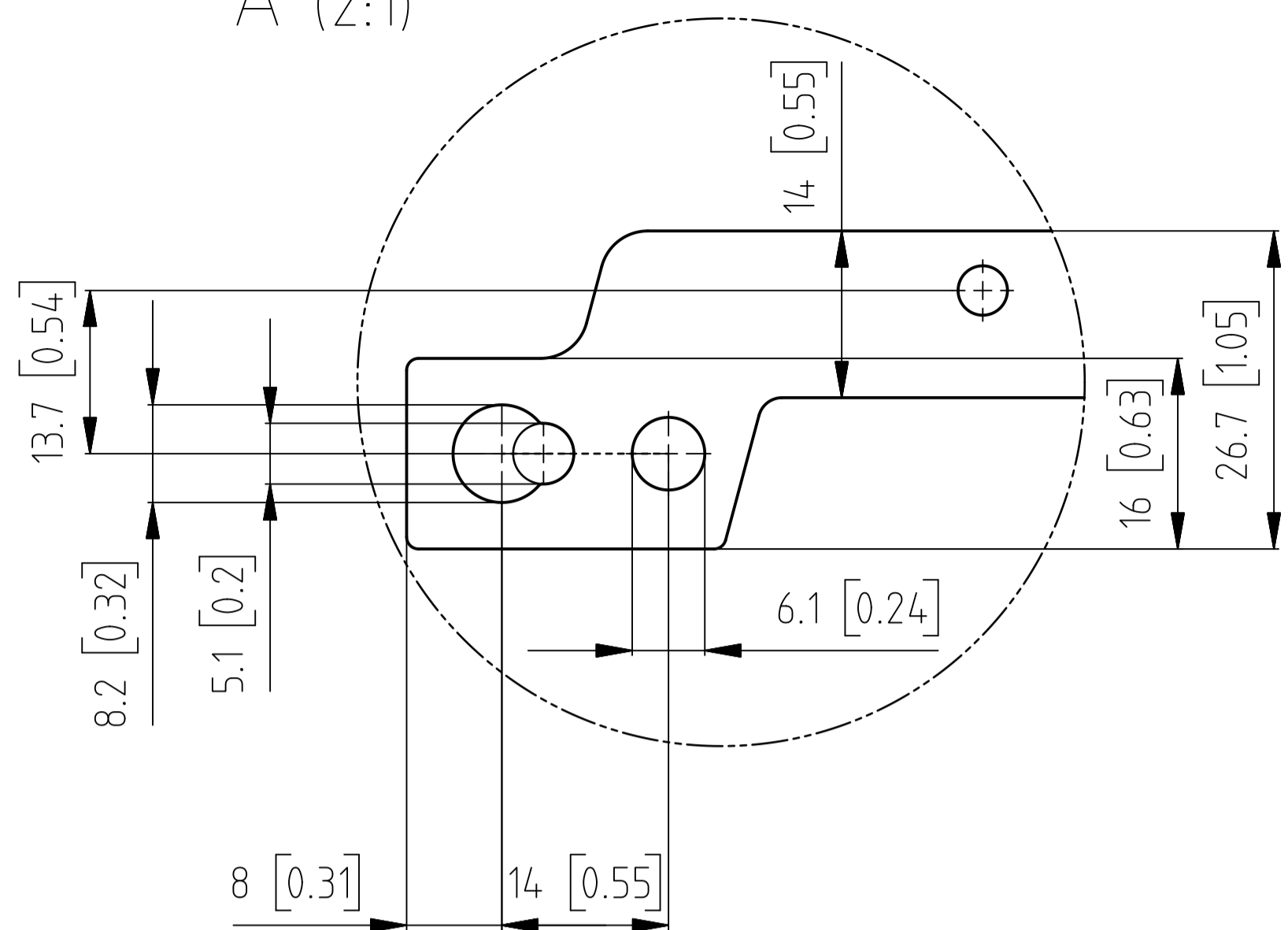


A (2:1)



SHK24-A-SR100 SHK24-A-MF100 SHK24-A-MP100

Drawn	Date	Name	Document description
Appr.	05.08.2010	GXe	Linearantrieb SHK
Scale:	1:1		linear actuator
Voll cm ³ !:			450N
Document number			not released for production
Material specification			
Dev.no:	ch0037889	Dev.rev:	02
No. of sheets:	1	Sheet no.:	1

Legal Notice: Any distribution, copying or disclosure of this document is prohibited without the written permission of the design registration office.

General tolerances in accordance with ISO 2768-mK

Notes: Dimensions are in millimeters (mm), 1 inch = 25.4 mm, first angle projection method.