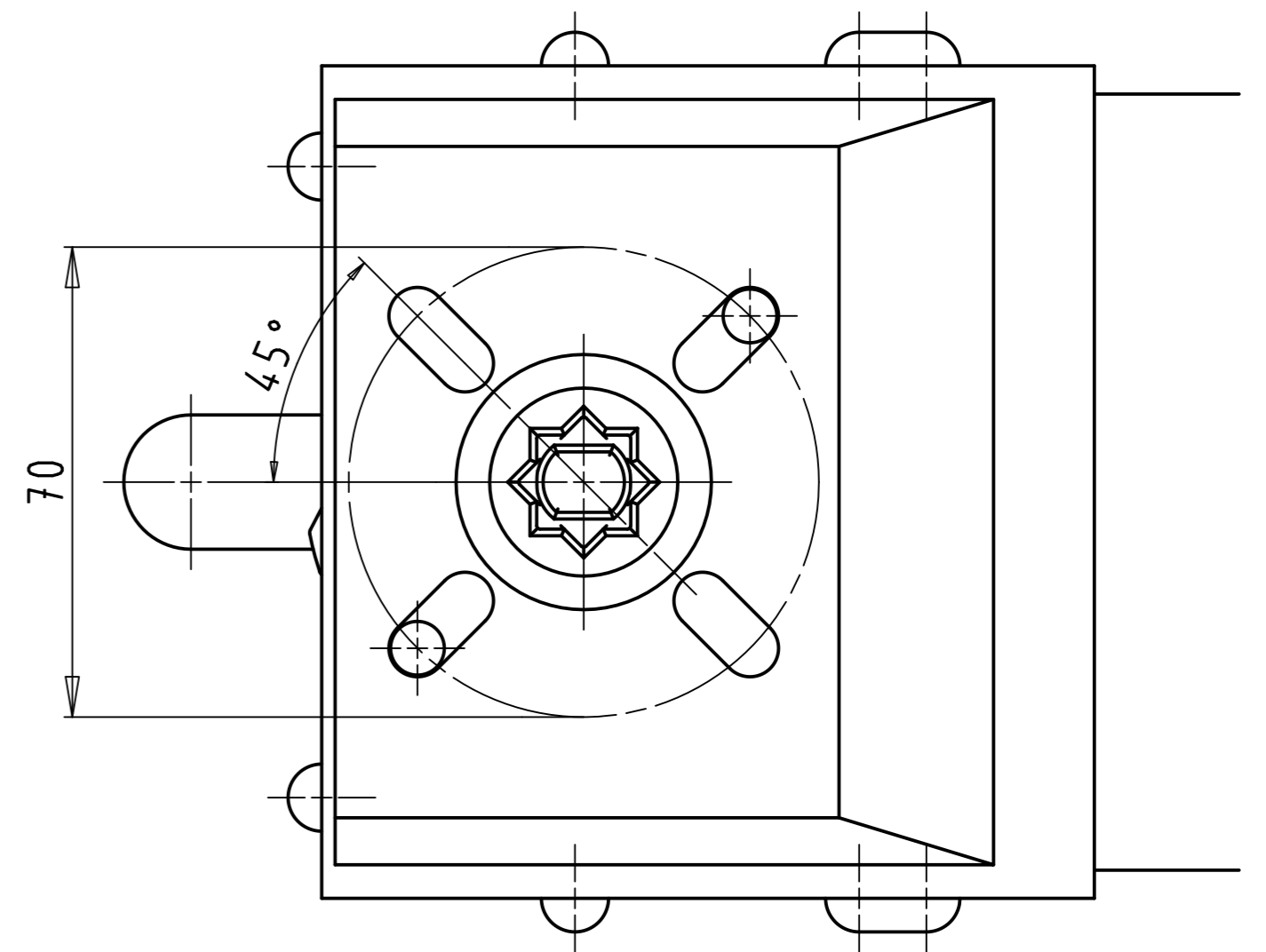
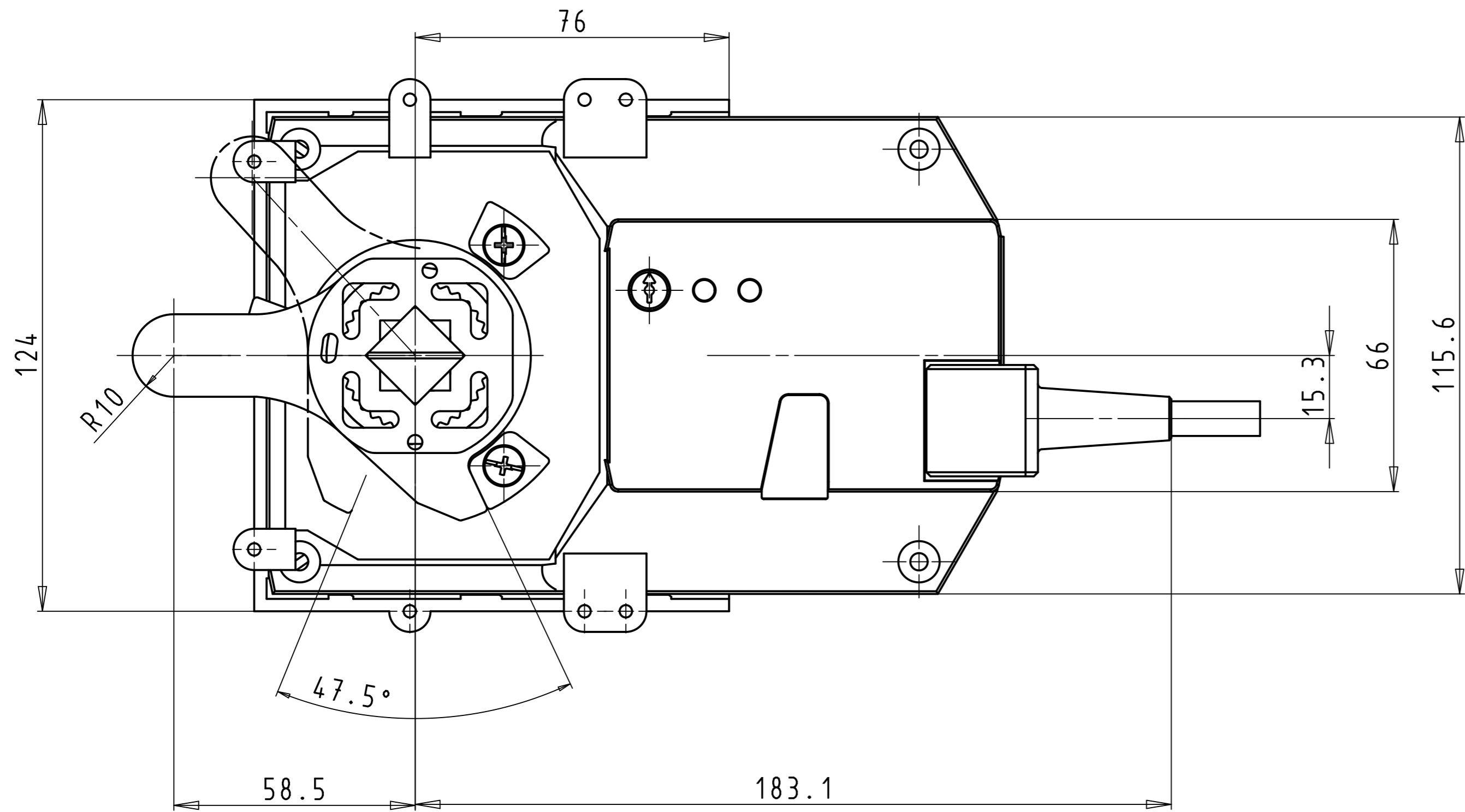
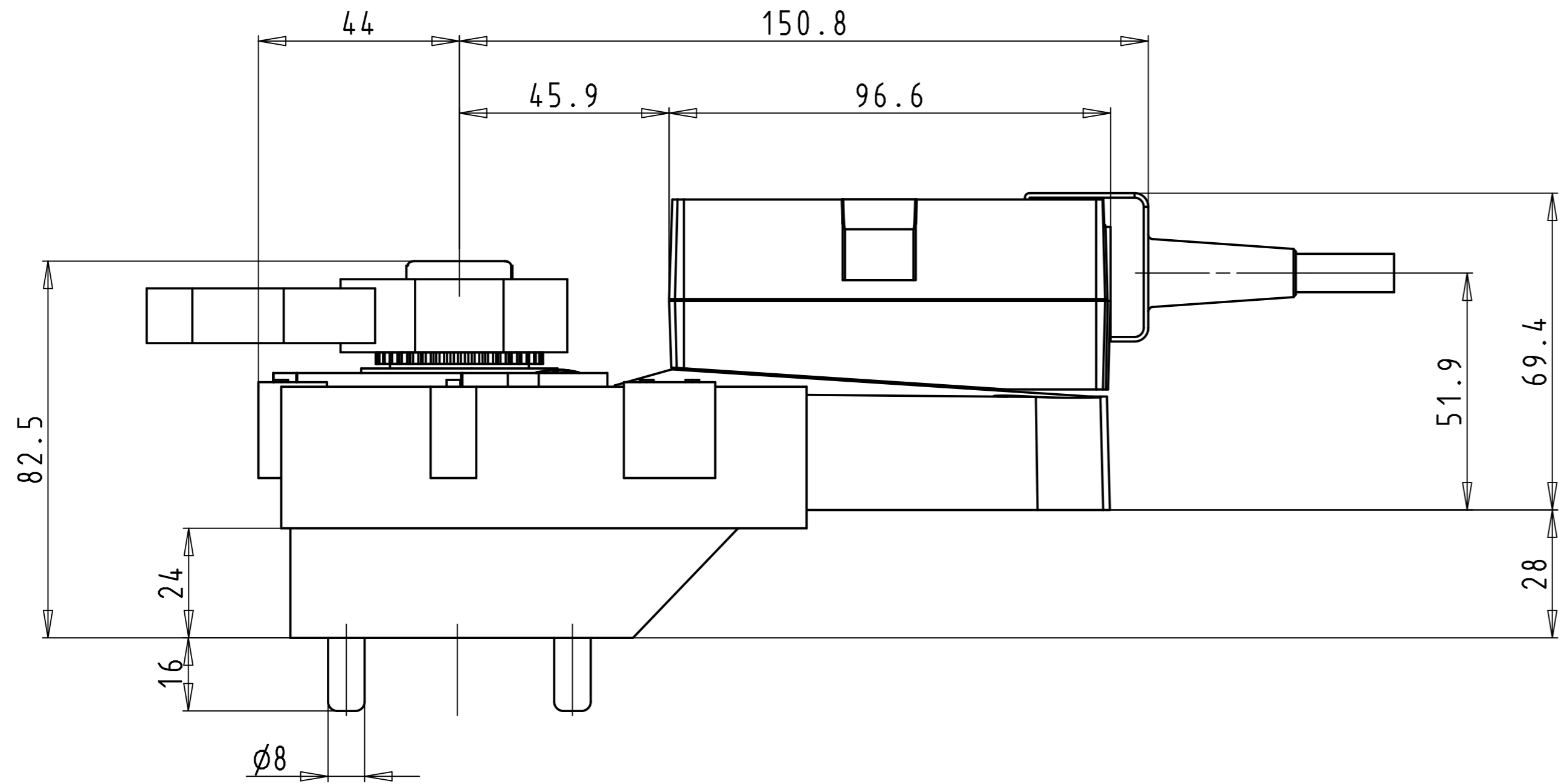



Notes: Any distribution, copying, disclosure or use of this document or its contents without the express authorization of BELIMO will incur liability for damages. All rights pertaining to patenting or design registration are reserved.

General tolerances in accordance with ISO 2768-m (class medium).

Notes: Dimensions are in Millimeters (mm). 1 inch = 25.4 mm. Drawn according to the first angle projection method.

11.07.2006 10:22 v 2



naming		pos.	material no		ind.	material	
h			date	name		Drehantrieb Rotary actuator 40Nm	
g		drawn	10.07.06	GXe			
f		appr.					
e		scale:	1:1				
d							
c						 GR_BFV_MF-MP-7	
b							Index siehe Material Nr
a							index by material no
rev	change note	date	name	similar drawing:	replacement for:	replaced by:	