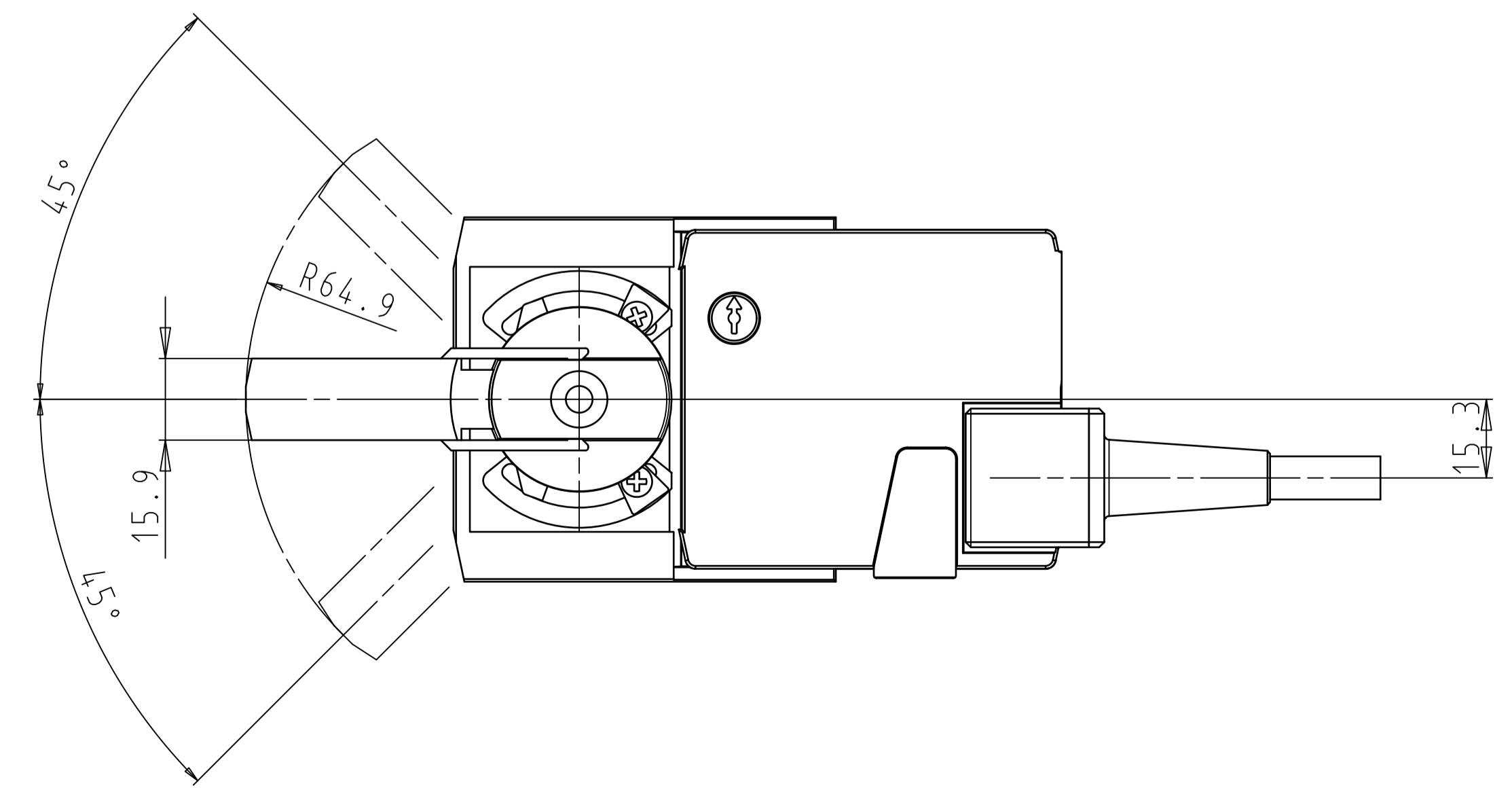
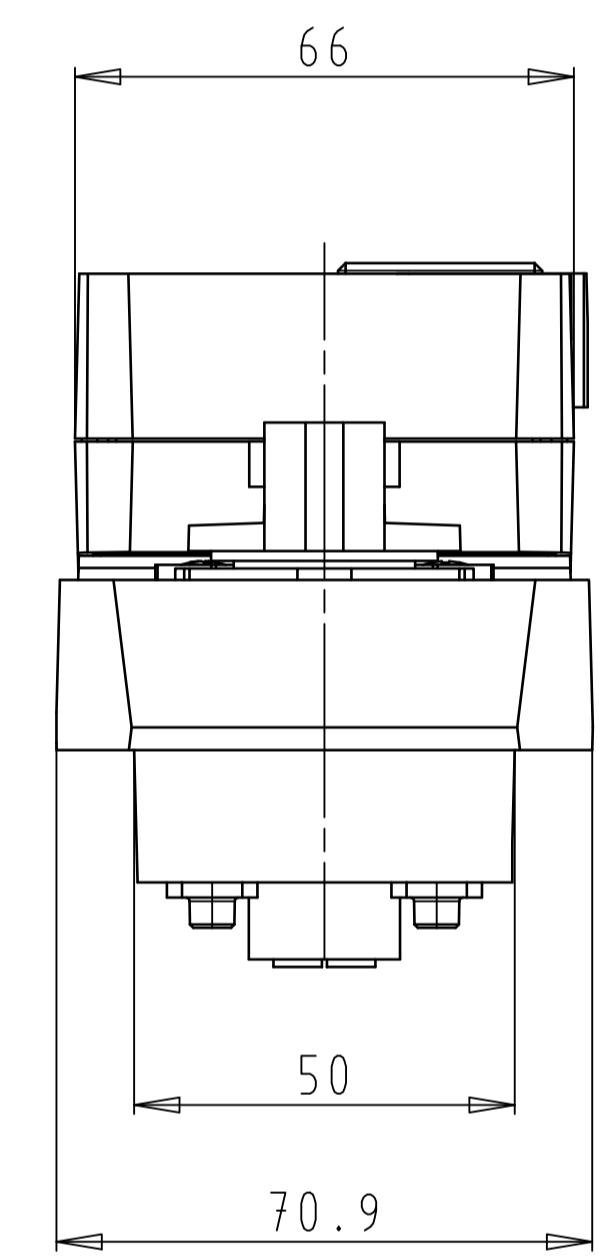
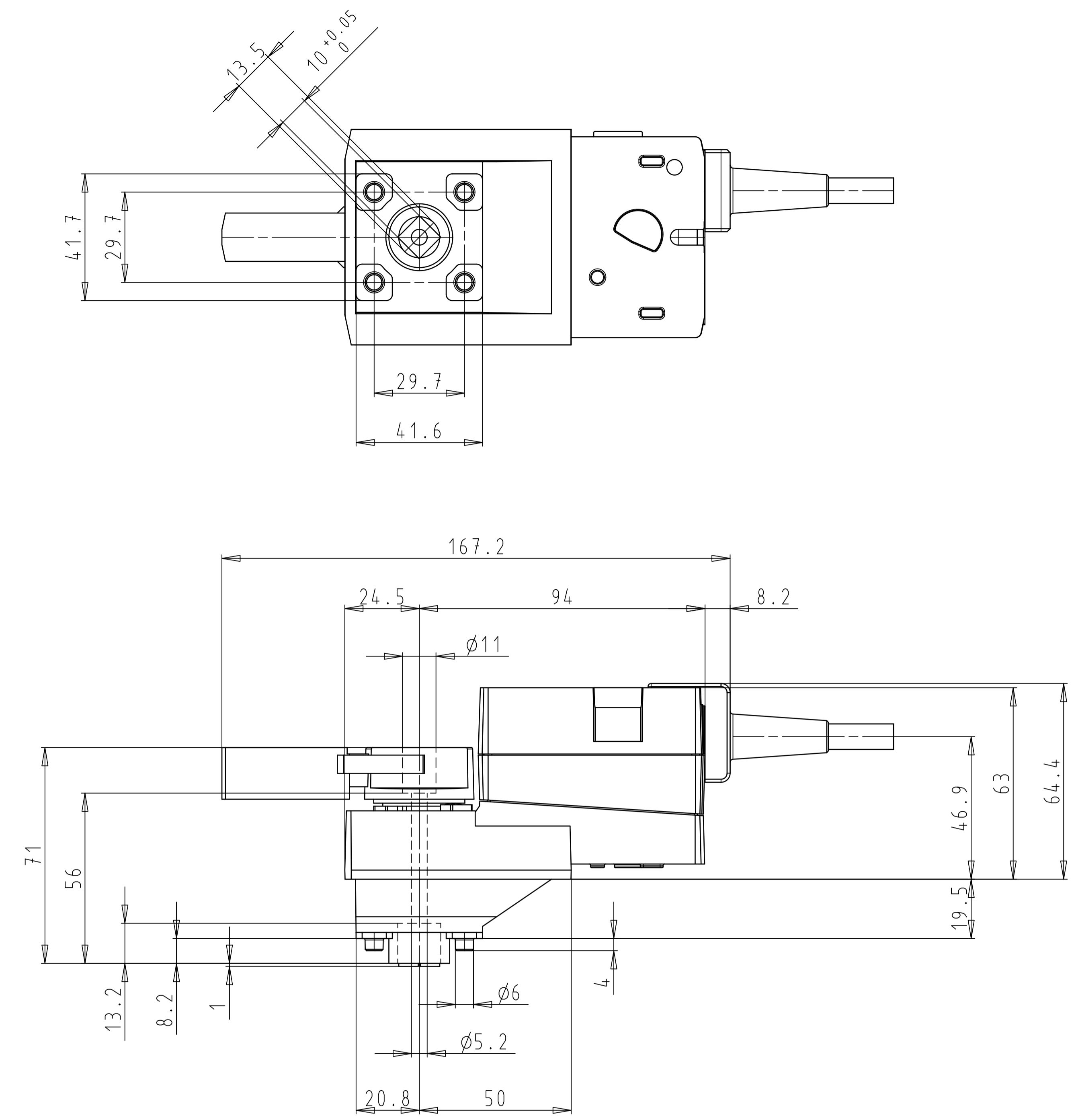
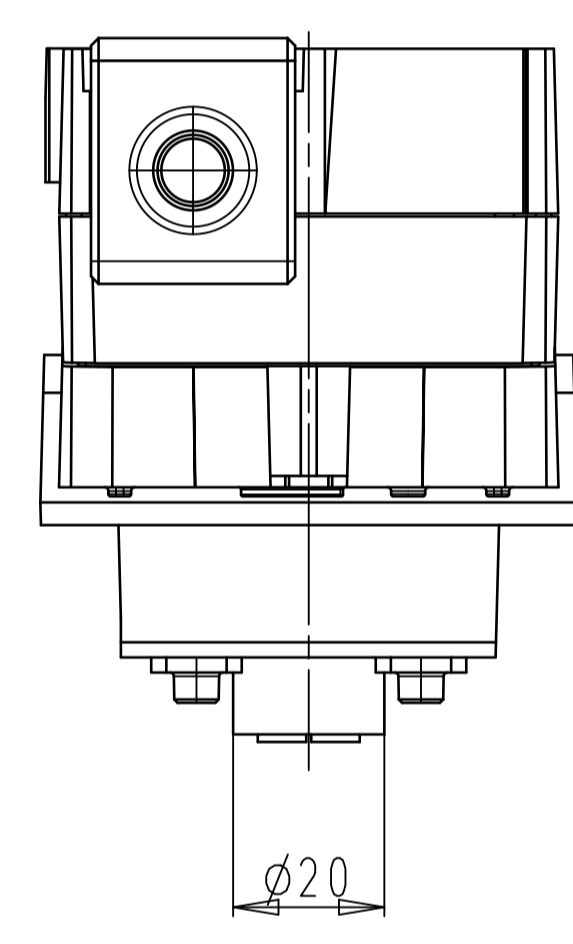


Legal Notice: Any distribution, copying or disclosure of this drawing without the written authorization of the manufacturer is prohibited. Failure to comply with these conditions may result in legal action. The manufacturer's liability is limited to the extent of design registration and patent law.

General tolerances in accordance with ISO 2768-m (class medium).

Notes: Dimensions are in Millimeters (mm). 1 inch = 25.4 mm. Drawn according to the first angle projection method.



naming		pos.	material no		ind.	material
h			date	name	Drehantrieb	
g			22.09.05	GXe	Rotary actuator	
f			appr.		5Nm	
e			scale:		1:1	
d					BELIMO	
c					LR_A_standard_1	
b						
a						
rev	change	date	name	similar drawing:	replacement for:	replaced by:
	note					