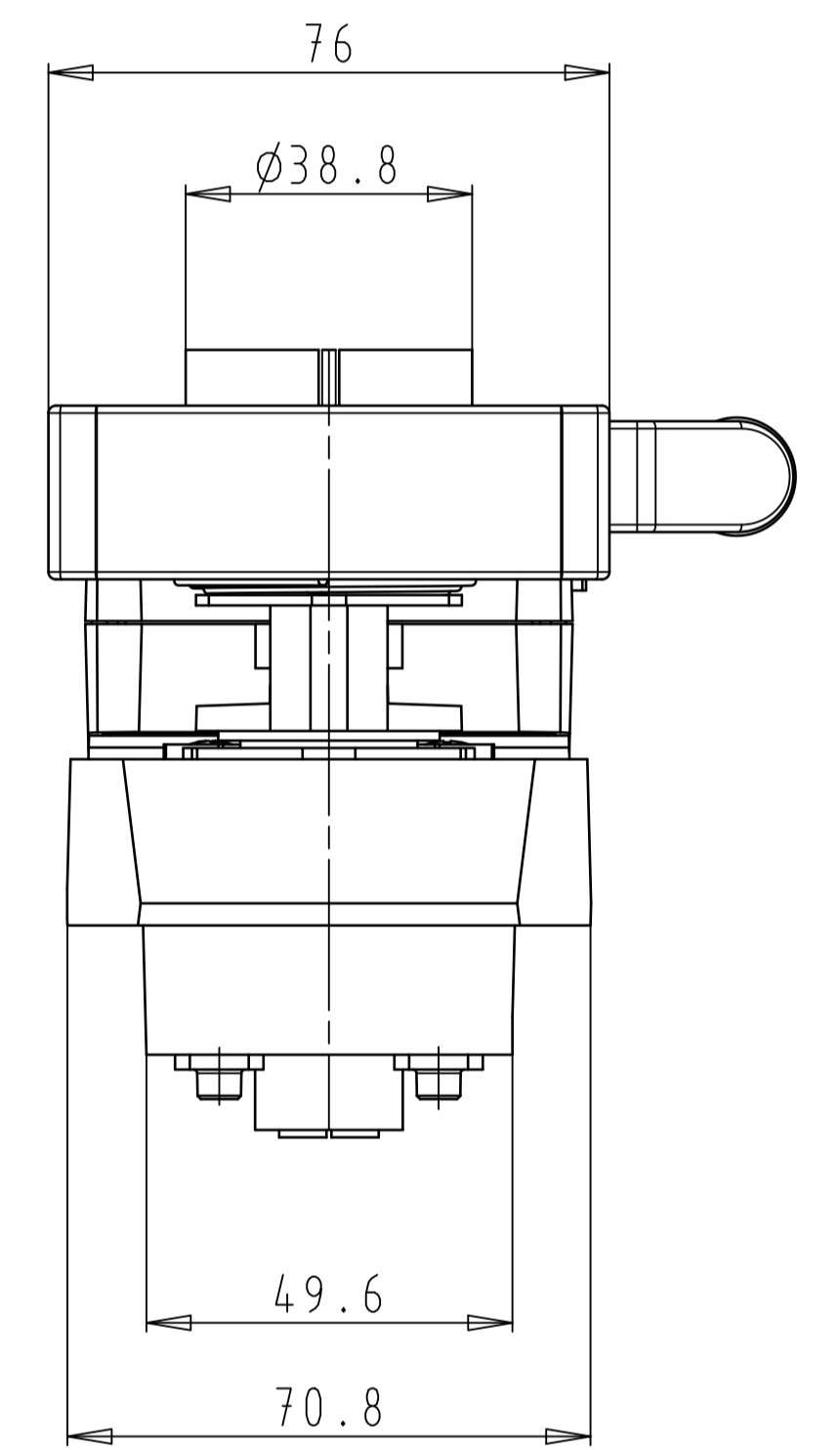
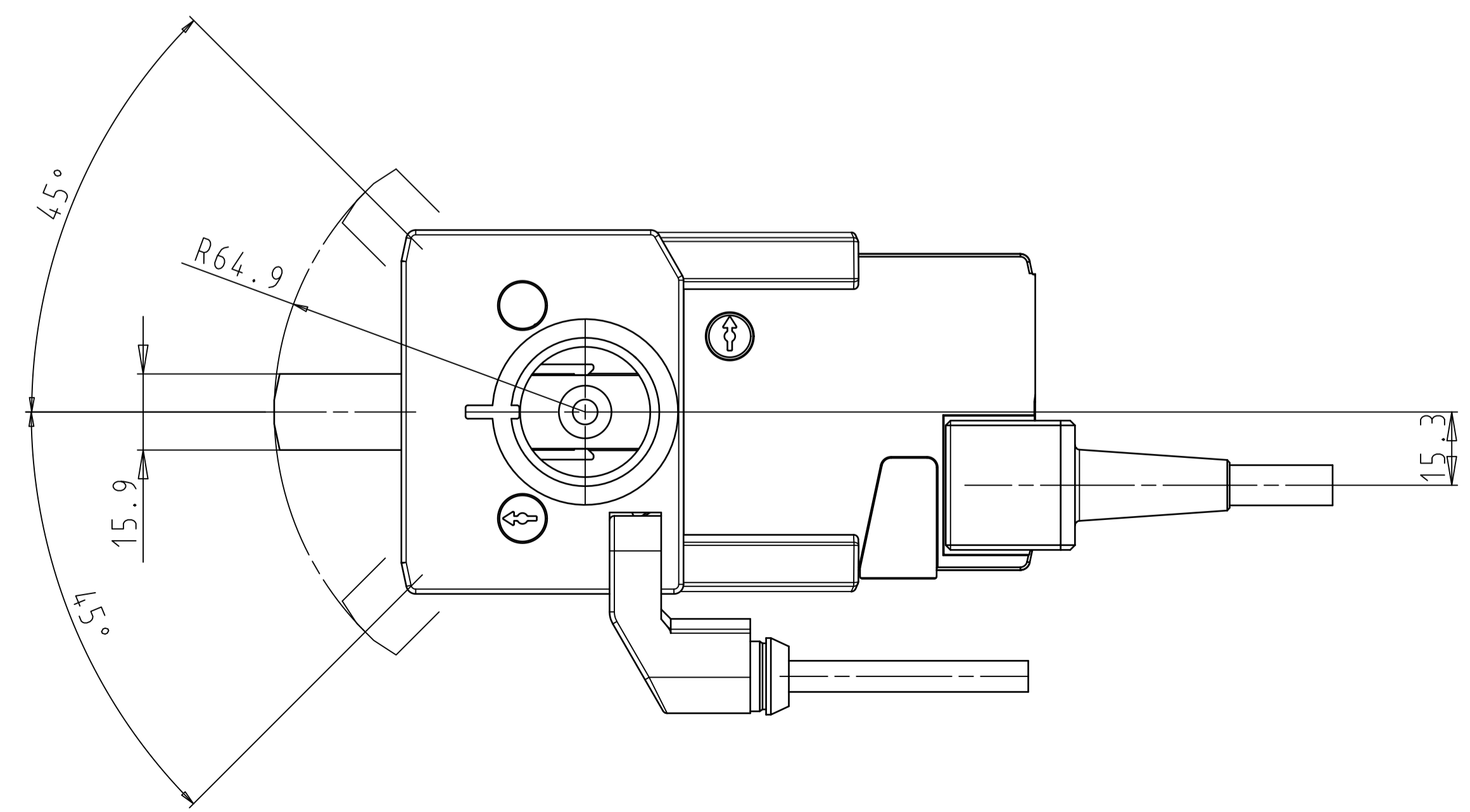
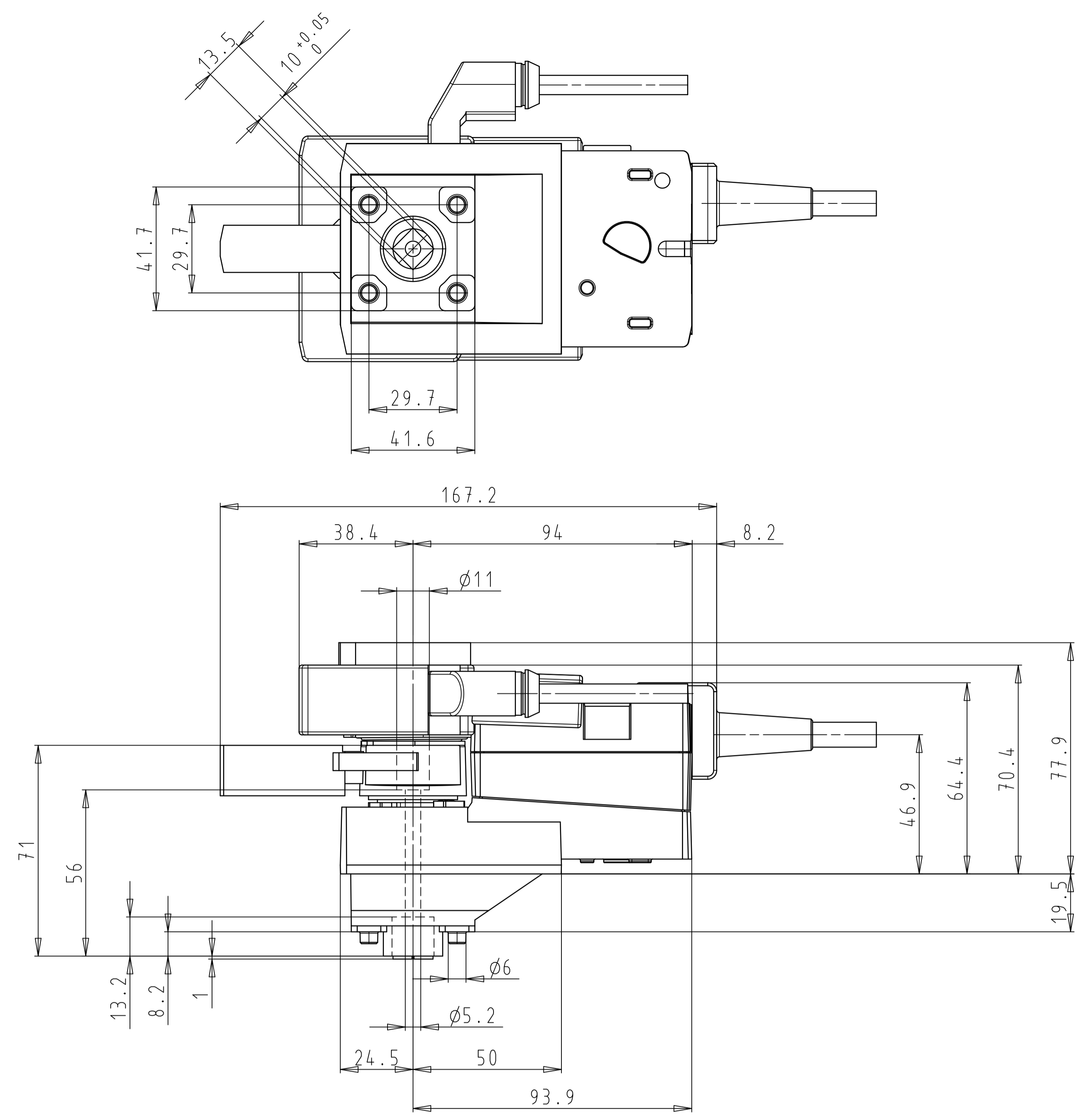
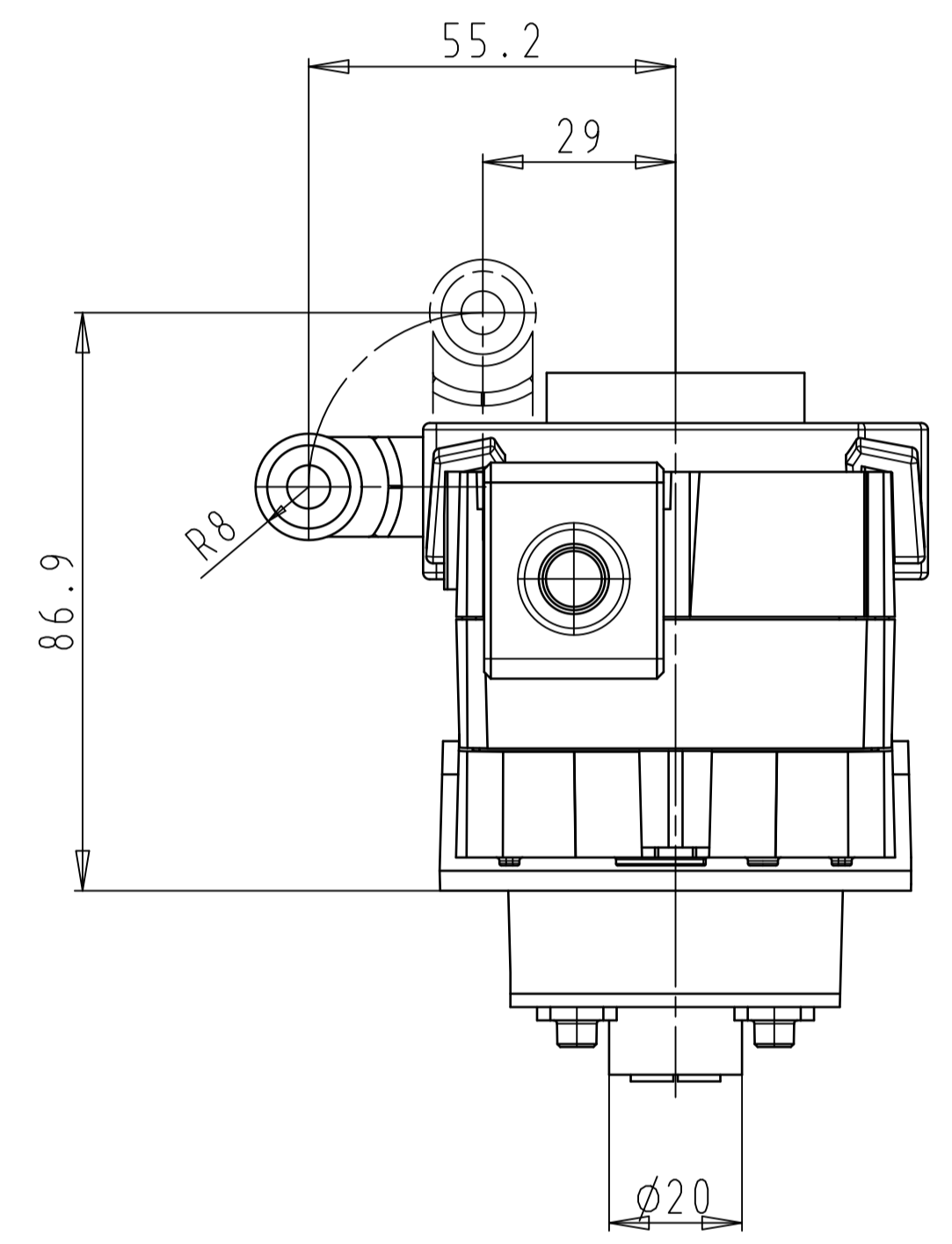


Notes: Dimensions are in Millimeters (mm), 1 inch = 25.4 mm. Drawn according to the first angle projection method.

21.08.2005 12:02 1 3

General tolerances in accordance with ISO 2768-m (class medium).



naming		pos.	material no		ind.	material
h			date	name		Drehantrieb Rotary actuator 5Nm
g			26.09.05	GXe		
f			appr.			
e			scale:			
d			1:1			
c						
b						
a						
rev	change	date	name	similar drawing:	replacement for:	replaced by:
	note					



LR_A_standard_1_S_A