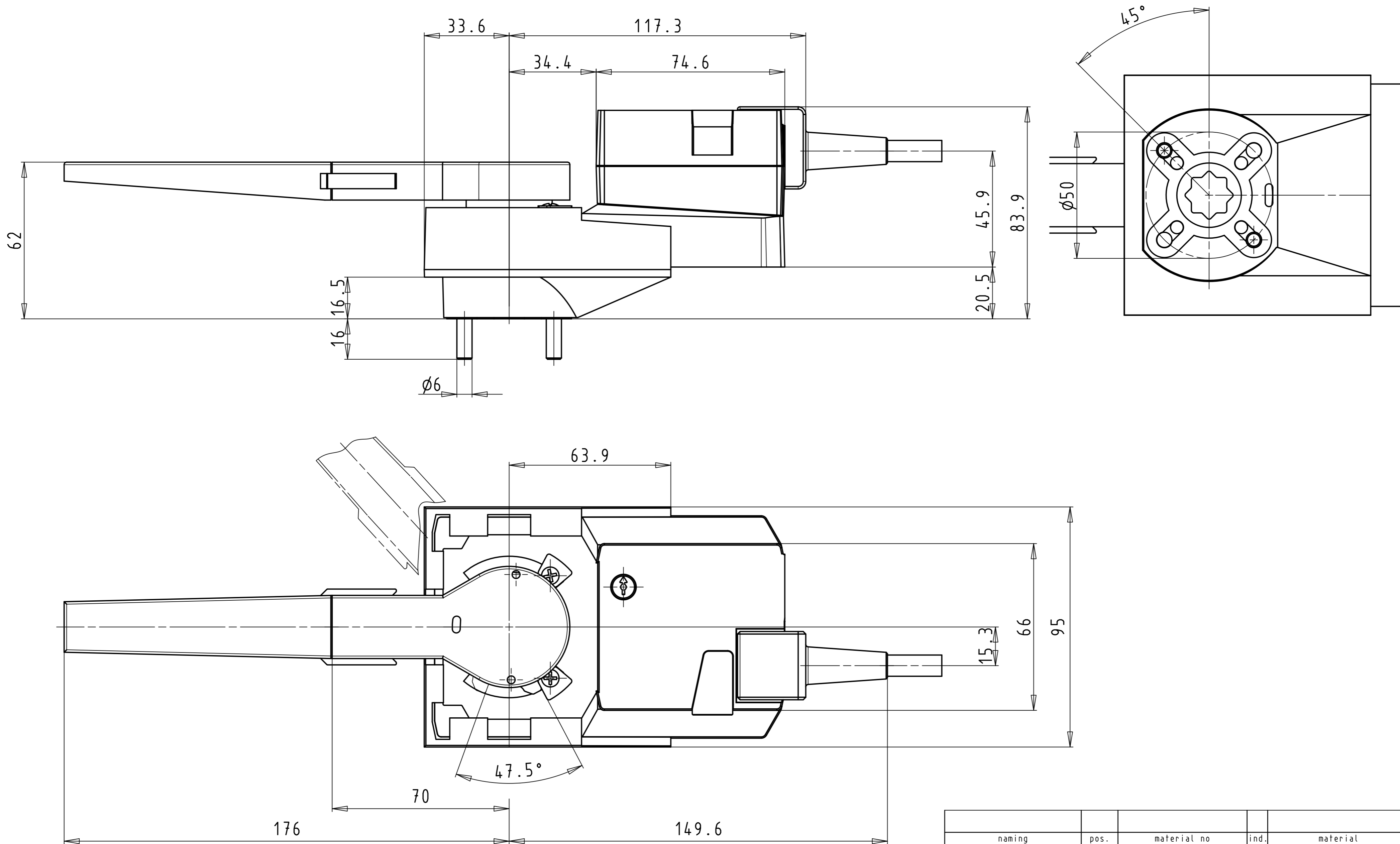



Notes: Any distribution, copying, disclosure or use of this document or its contents without the express authorization of the manufacturer is expressly prohibited. Failure to comply will incur liability for damages. All rights pertaining to patenting or design registration are reserved.

General tolerances in accordance with ISO 2768-m (class medium).

Notes: Dimensions are in Millimeters (mm). 1 inch = 25.4 mm. Drawn according to the first angle projection method.

11.07.2006 10:23 v 4



naming		pos.	material no		ind.	material
h			date	name	<b>Drehantrieb</b> <b>Rotary actuator</b> <b>20Nm</b>	
g		drawn	10.07.06	GXe		
f		appr.				
e		scale:	1:1			
d					 <b>SR_BFV-5</b>	
c						
b						
a						
rev	change note	date	name	similar drawing:	replacement for:	replaced by: