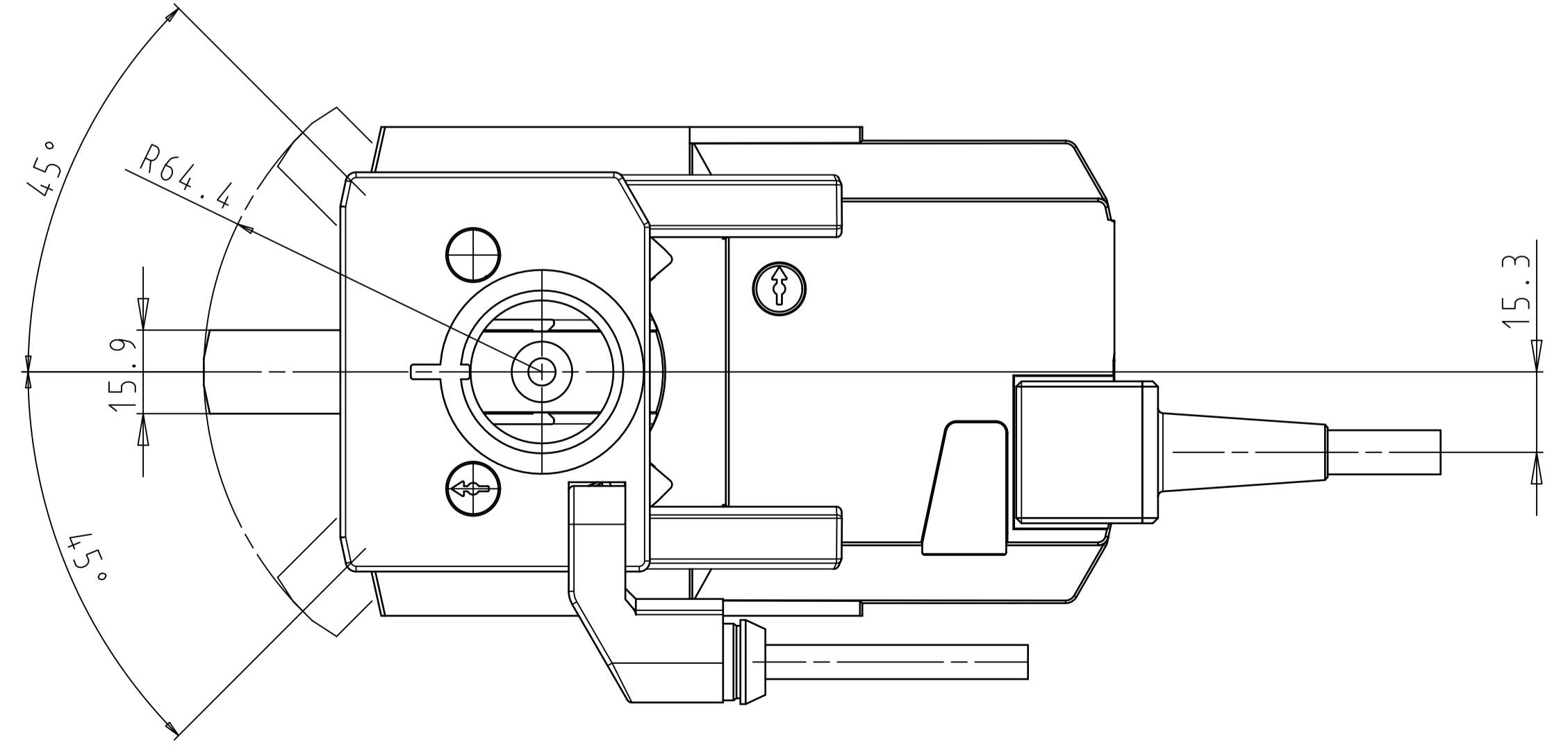
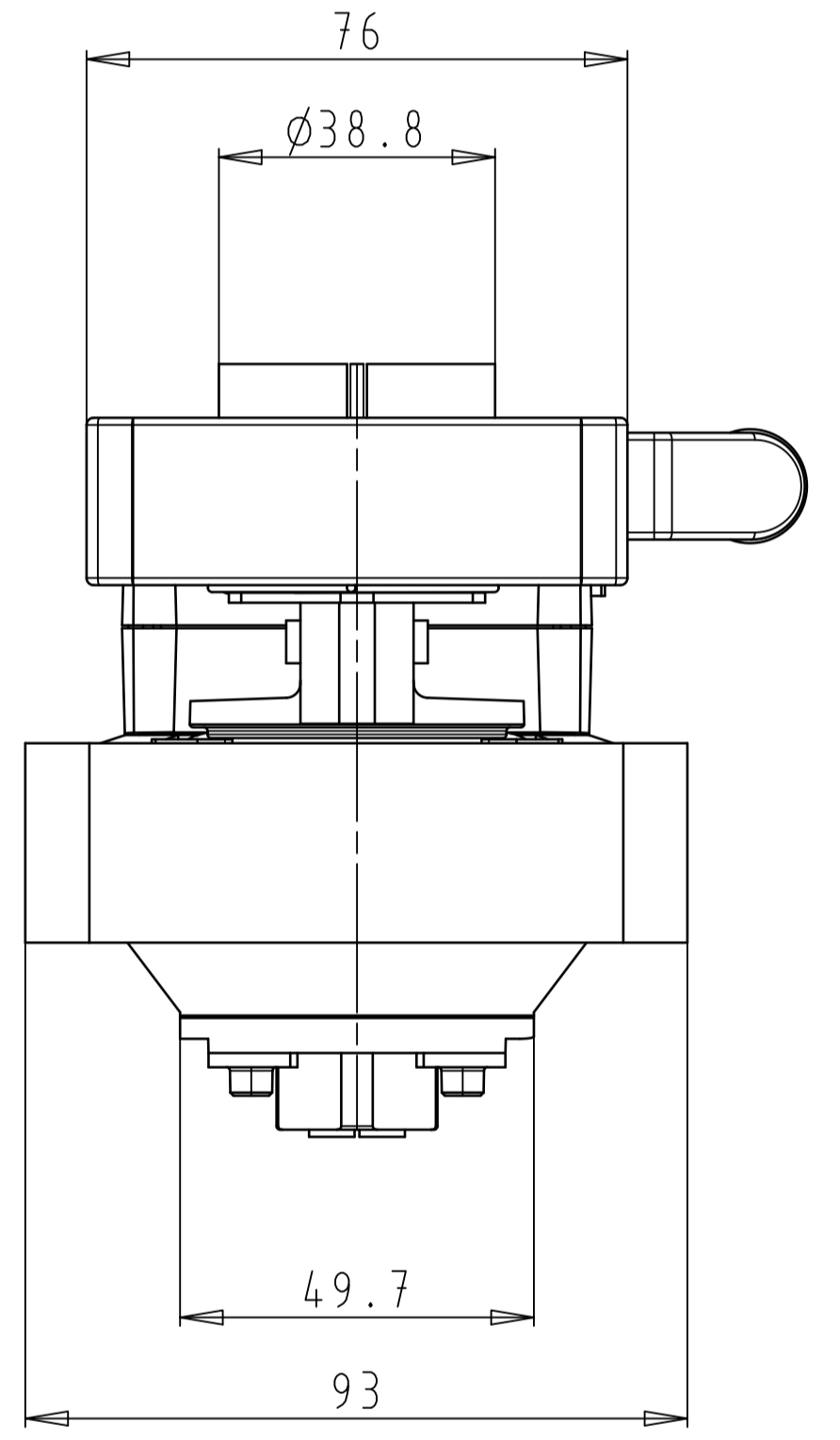
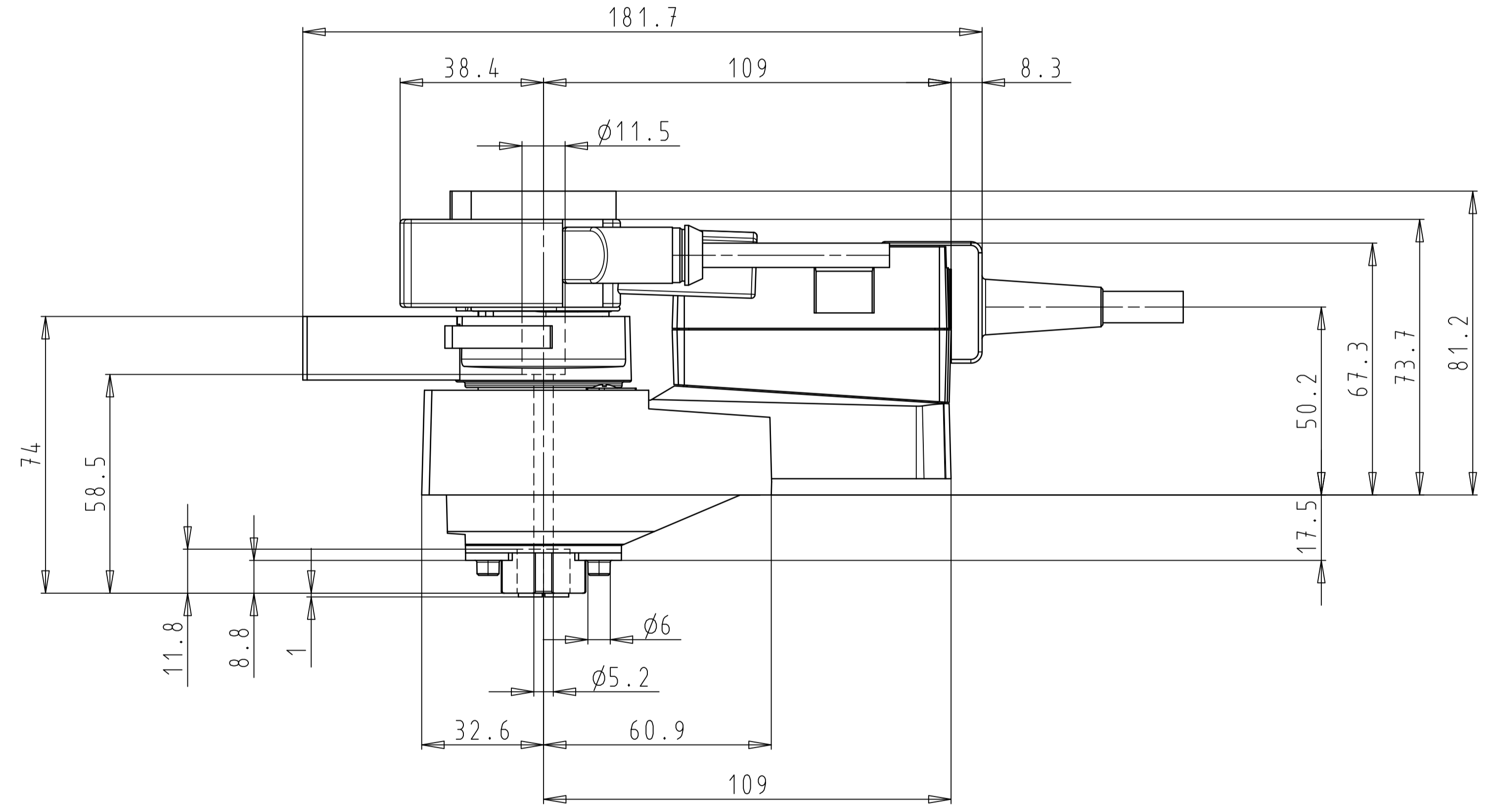
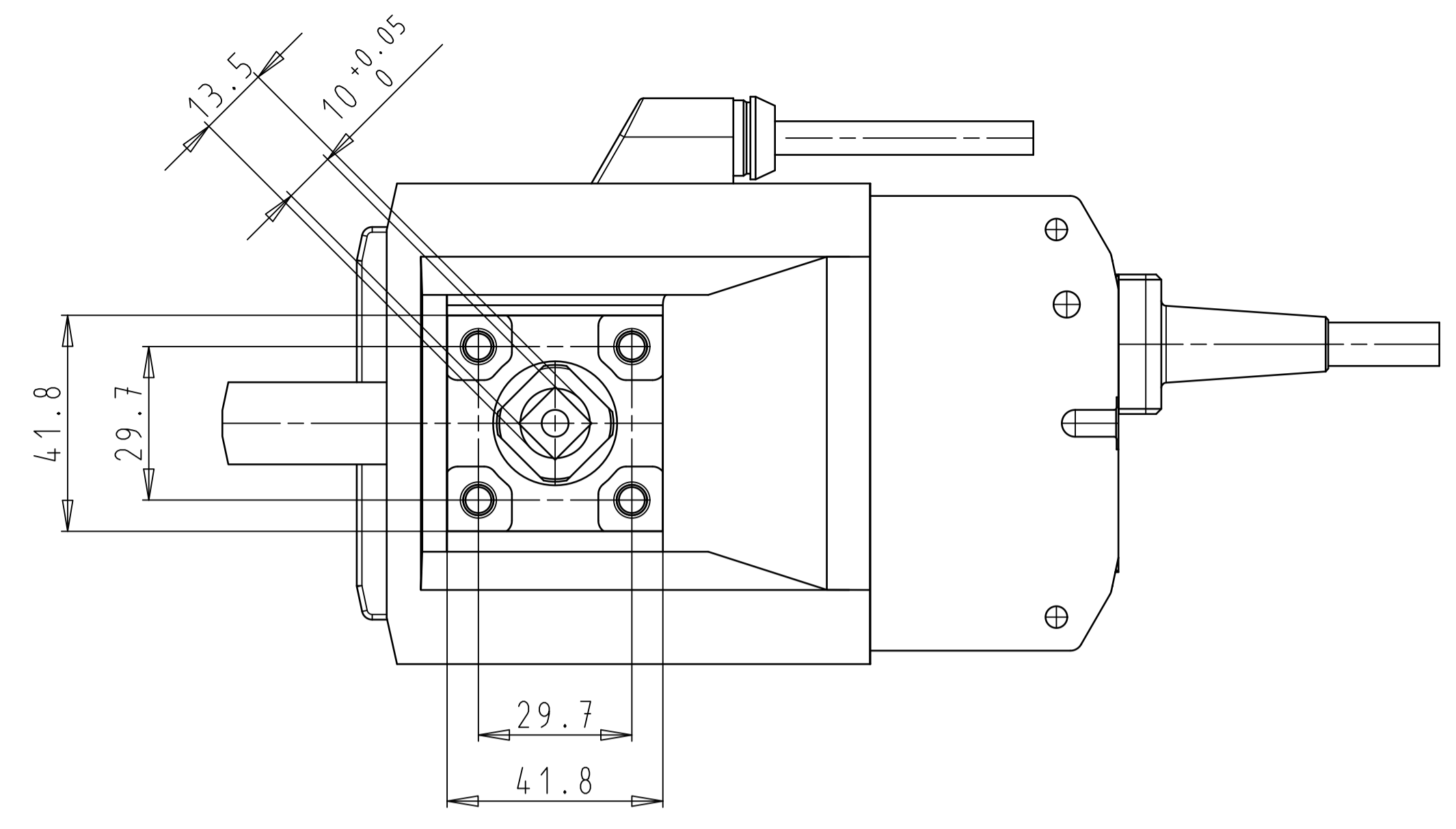
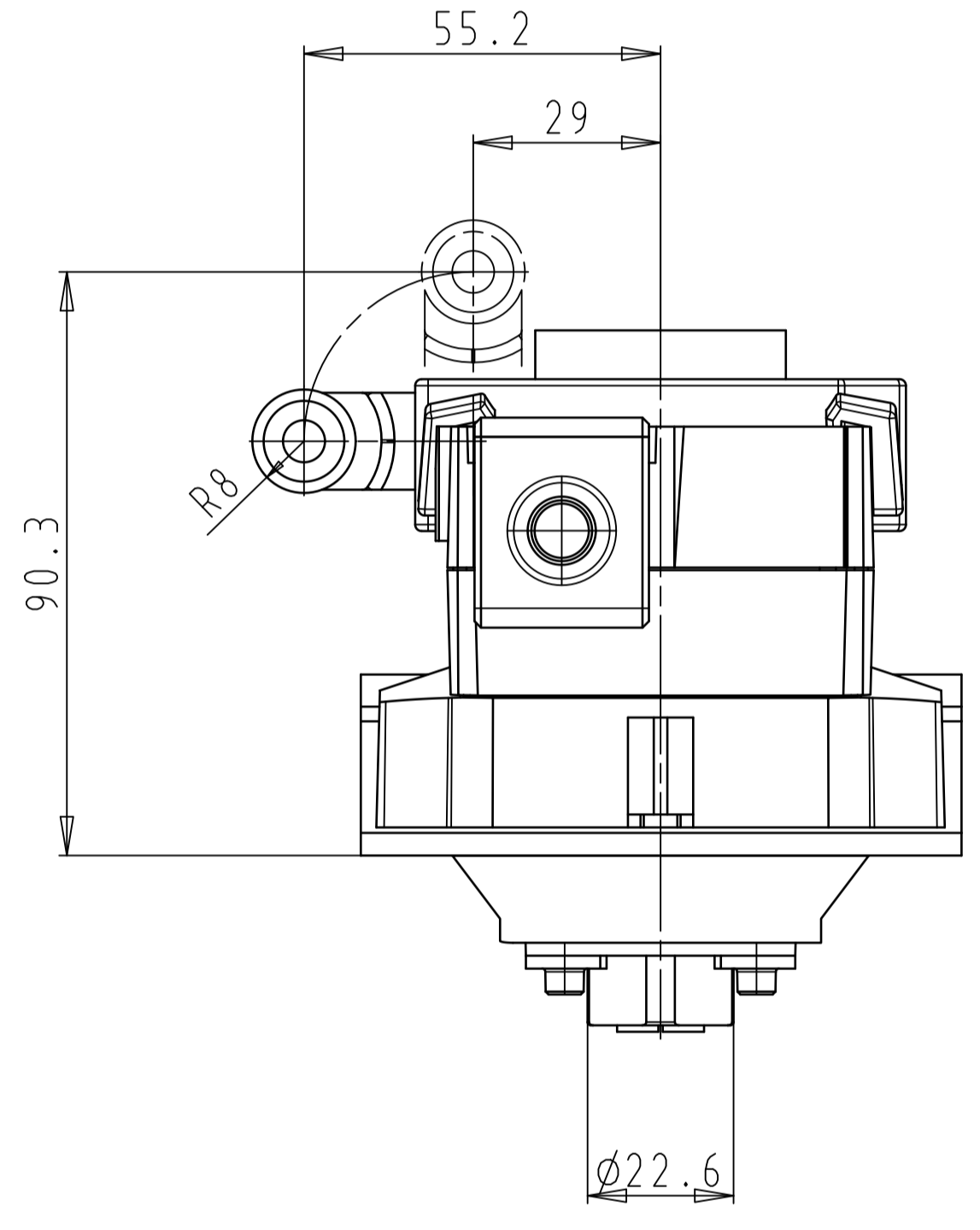


Legal Notice: Any distribution, copying or disclosure of this drawing without the express written permission of the manufacturer is prohibited. Failure to comply with this notice may result in legal action. The manufacturer assumes no responsibility for any damage or injury caused by the use of this drawing.

General tolerances in accordance with ISO 2768-m (class medium).

Notes: Dimensions are in Millimeters (mm). 1 inch = 25.4 mm. Drawn according to the first angle projection method.



naming		pos.	material no		ind.	material
h			date	name		Drehantrieb Rotary actuator 20Nm
g		drawn	27.09.05	GXe		
f		appr.				
e		scale:	1:1			
d						
c						
b						
a						
rev	change	date	name	similar drawing:	replacement for:	replaced by:
	note					



SR\_A\_standard\_S\_A